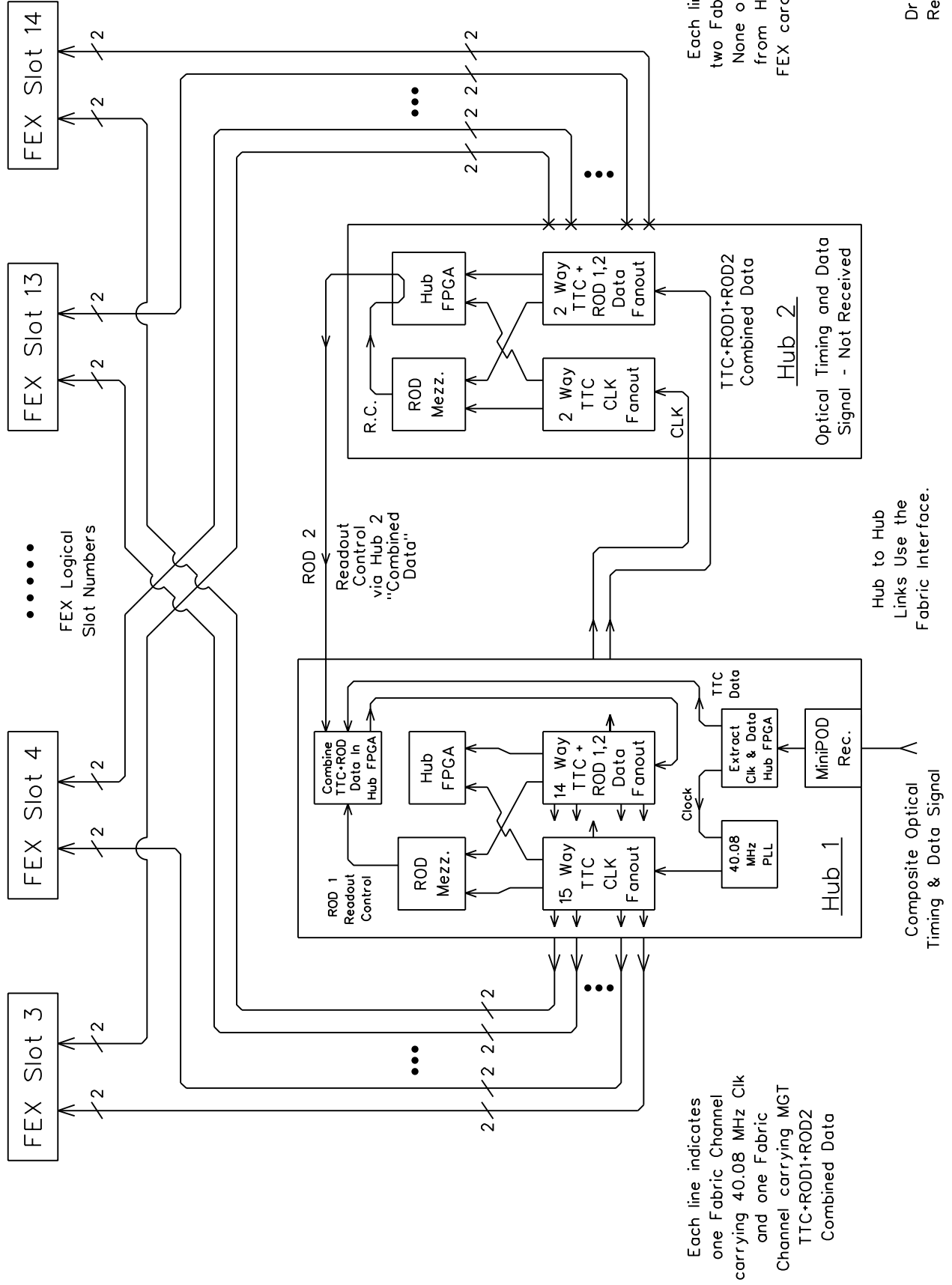


Hub Clock and Combined Data Distribution



Each line indicates one Fabric Channel carrying 40.08 MHz Clk and one Fabric Channel carrying MGT TTC+ROD1+ROD2 Combined Data

Each line indicates two Fabric Channels. None of these links from Hub 2 to the FEX cards are active.

Hub to Hub Links Use the Fabric Interface.

Composite Optical Timing & Data Signal