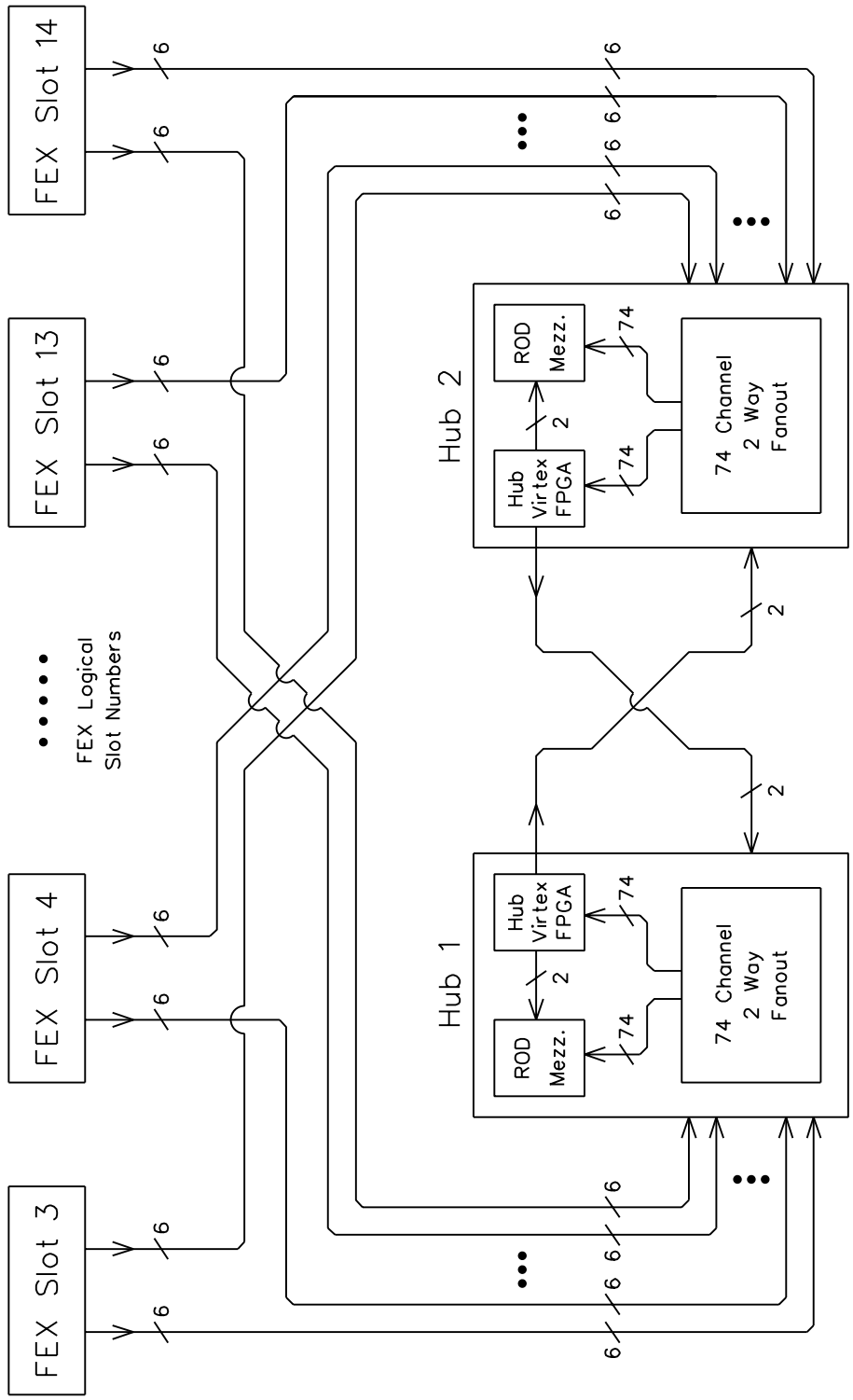


# Hub-Module Readout Data Distribution



Each line indicates six Fabric Interface Channels carrying FEX Slot Readout Data to the ROD's and to the Hub-Module's Virtex FPGAs

The FEX Slot Readout Data on each Fabric Interface Channel is received by an MGT Transceiver on both the ROD's and the Hub-Module's Virtex FPGAs.

Hub to Hub Links use the Fabric Interface.