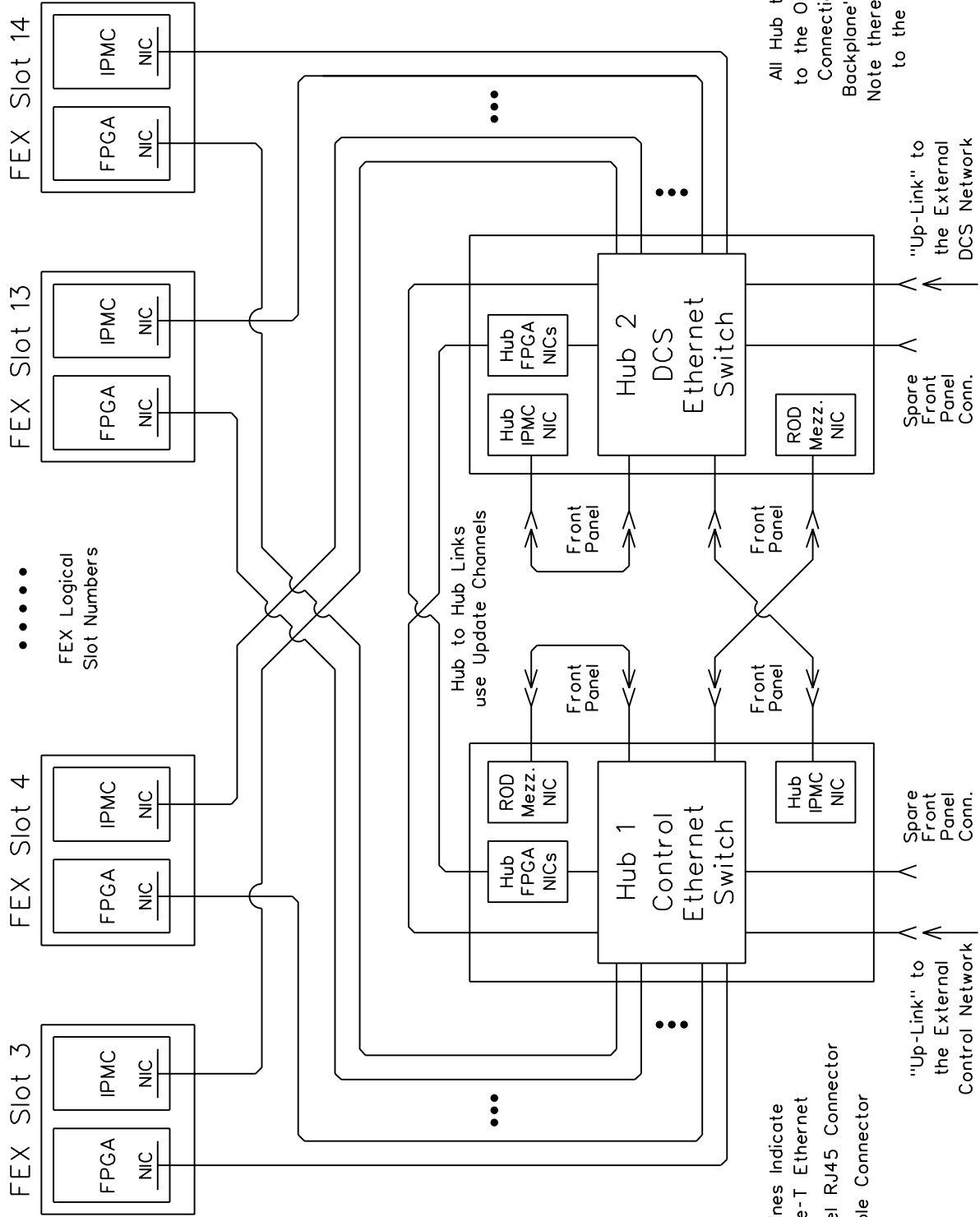


# Hub-Module Ethernet Switch Connections



All Connection Lines Indicate 10/100/1000 Base-T Ethernet

Front Panel RJ45 Connector

Cat 5 Cable Connector

"Up-Link" to the External Control Network

"Up-Link" to the External DCS Network

Spare Front Panel Conn.

Hub to Hub Links use Update Channels

FEX Logical Slot Numbers

All Hub to FEX Slot and to the Other Hub's FPGA Connections are via the Backplane's Base Interface. Note there is no connection to the Shelf Manager.