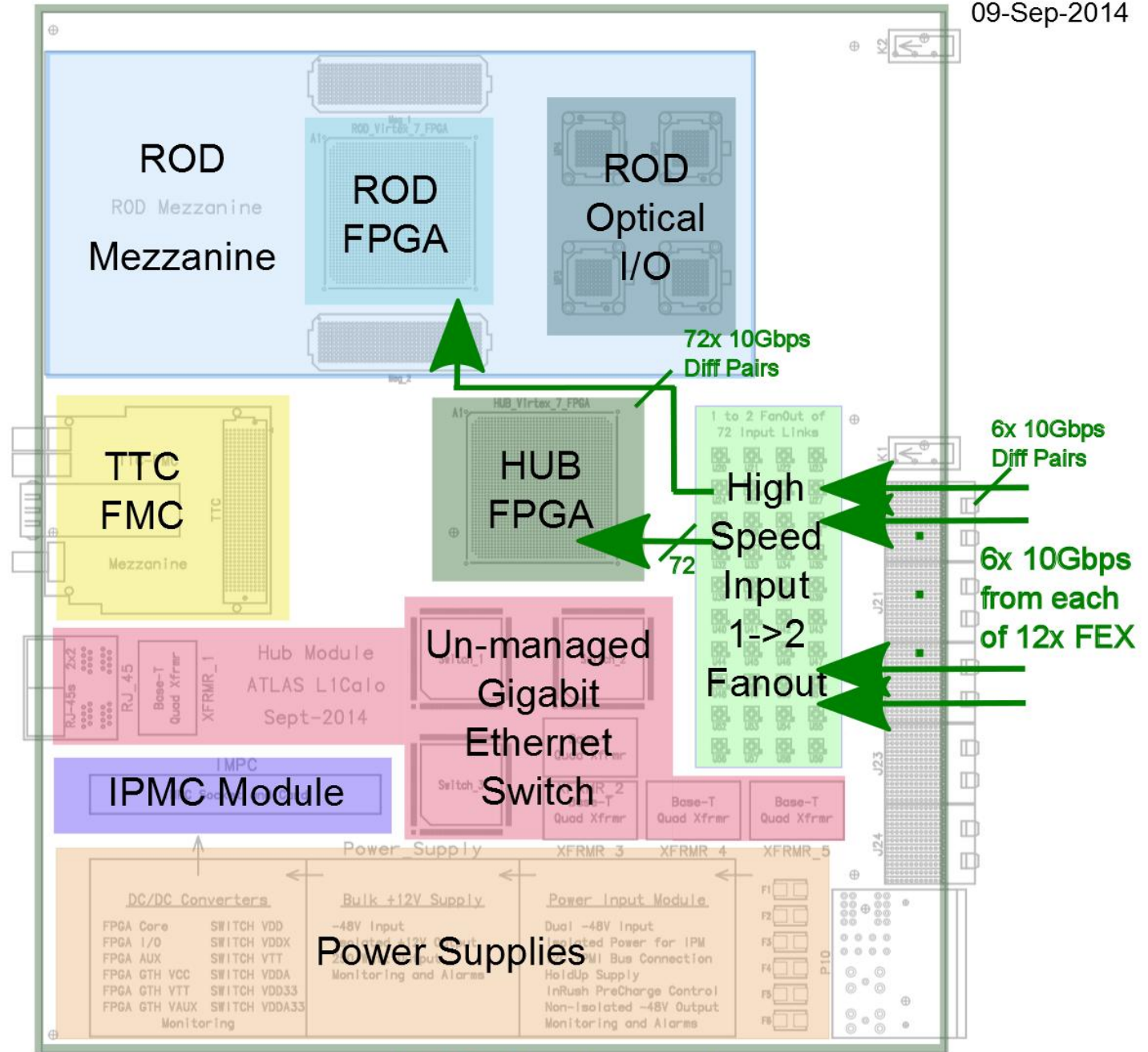
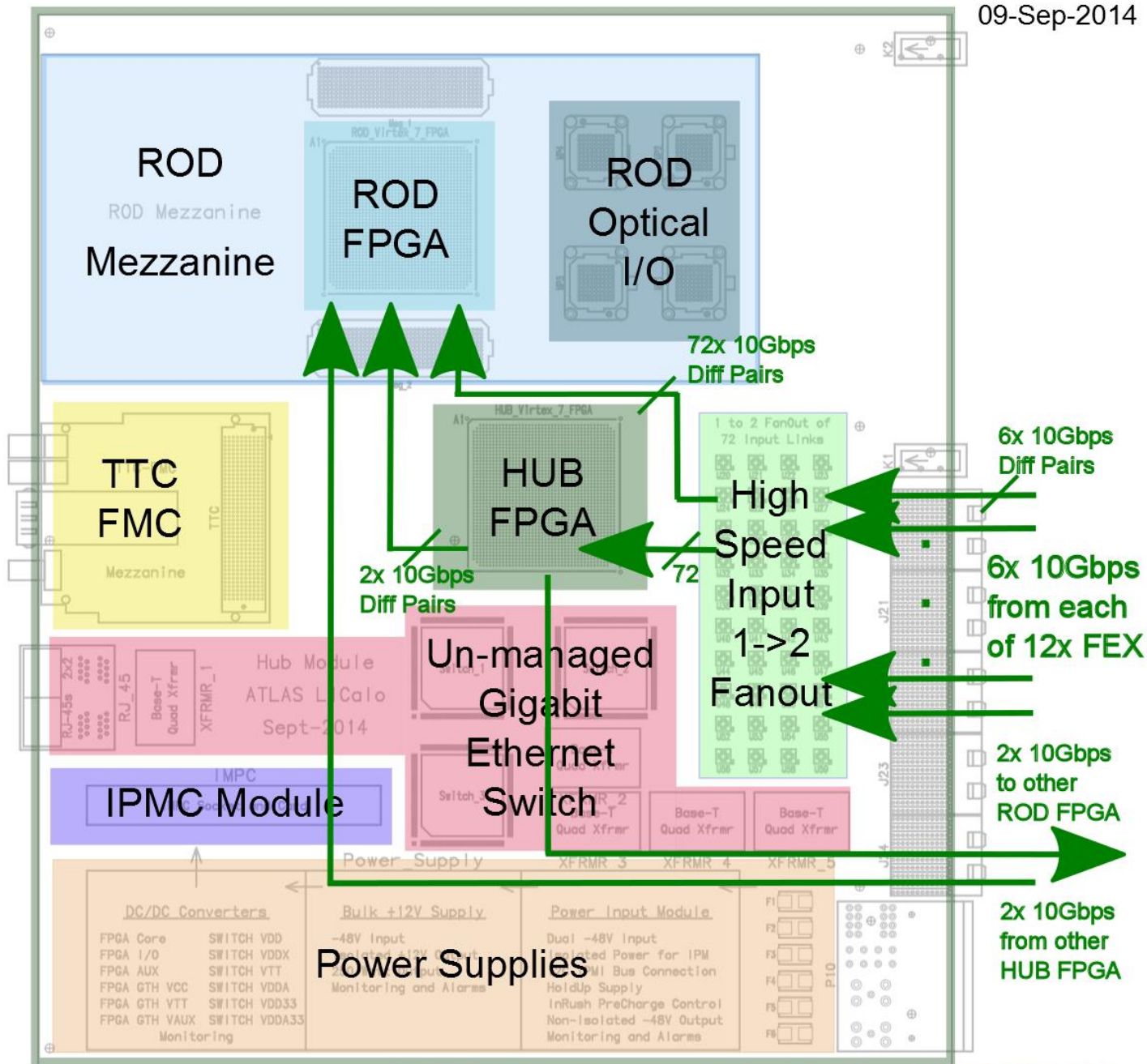


HUB Diagrams

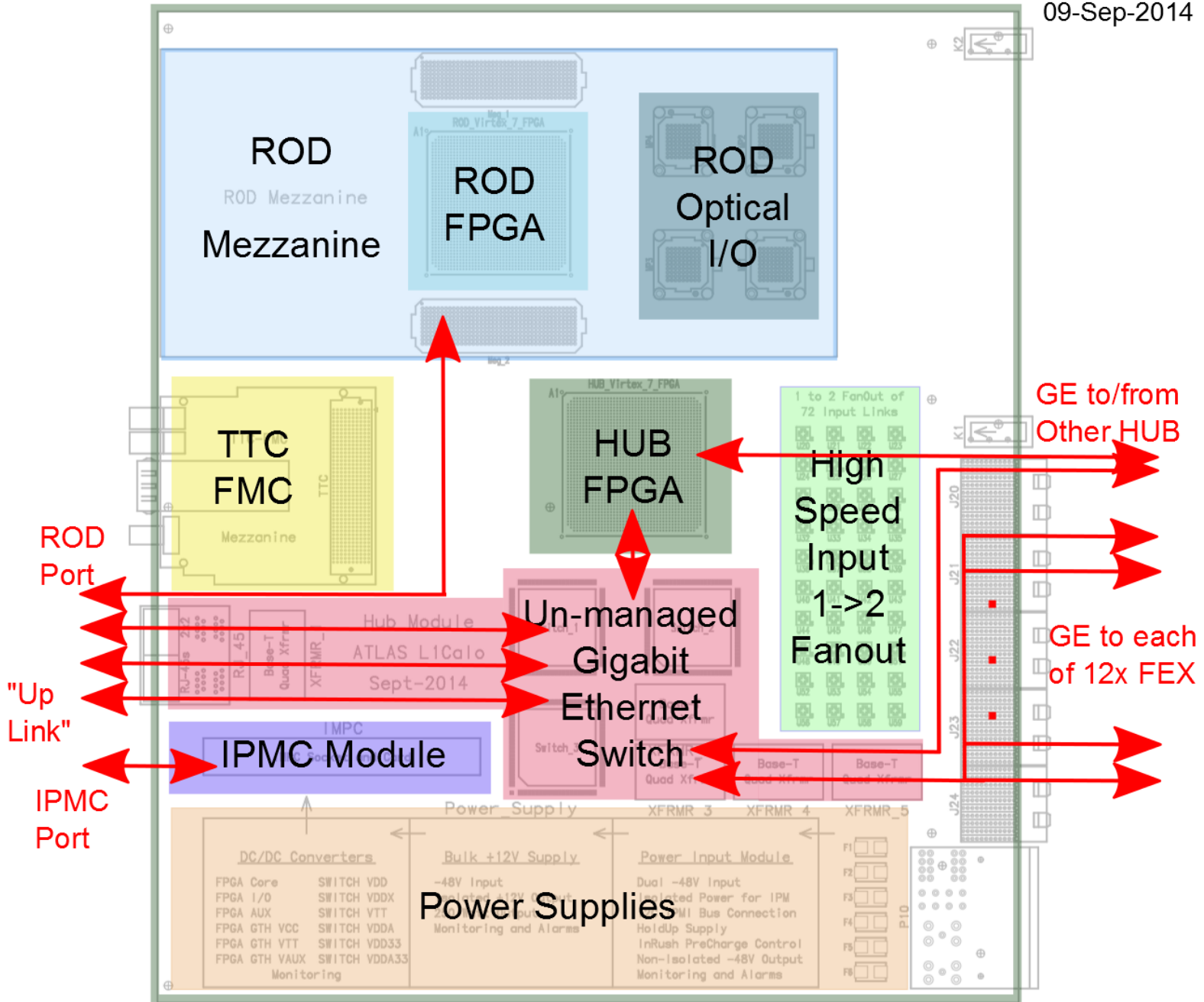
09-Sep-2014



L1Calo HUB Module **ROD Readout path**



L1Calo HUB Module **ROD Readout path including HUB FPGA**



L1Calo HUB Module Gigabit Ethernet (GE) Connections

Control and DCS GE Connections

HUB 1
(Control Network)

HUB 2
(DCS Network)

