

LAPP IPMC STATUS

Lar Week

23 September 2014

Guy Perrot on behalf of the LAPP Team

F. Bellachia, S. Cap, J. Fragnaud, N. Letendre, G. Perrot, I. Wingerter-Seez

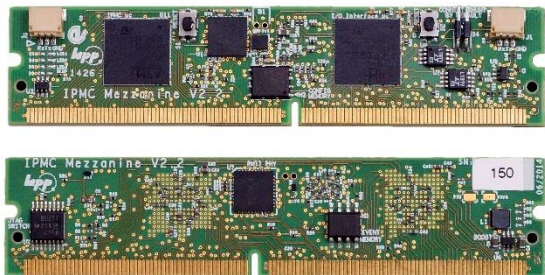


Outline

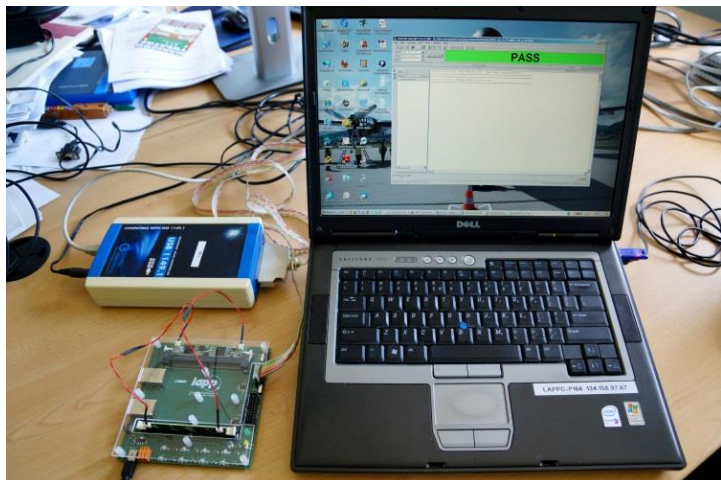


- **Hardware**
- **Firmware & Tools**
- **CERN approach**

Hardware



- **Hardware is V2 Rev. 2**
- **Tests are done with Boundary Scan:** 90% of BS nets covered, 80% of all nets.
- **120 boards have been produced and tested (100 requested).**
 - Only one with pbs (MicroC replaced).
 - 24 have been configured (MAC address and firmware). Delivered or to be delivered.
- **Future productions: 60 in 2015 & 60 in 2016 (as of today).**
- **Clients: ATLAS FTK, LAr & L1Calo (e/j/g/FEX, Topo); CMS, BELLE.**
- **Hardware documentation:**
<http://lappwiki.in2p3.fr/twiki/bin/view/AtlasLapp/ATCA>





- **ICARE-00-00-06 available.**
 - tools for compiling, loading, debugging and executing the IPMC software.
 - source code (ICARE framework) for the IPMC.
 - Many examples for sensors, SDR/FRU...
- **Management of ATCA blade**
 - FRU/SDR, Sensors, Backplane E-Keying.
- **What is not integrated:**
 - AMC Management.
 - TCPIP on 10/100 MbE for IPMC firmware update.
 - JTAG Master.
- **Tools & Code available in chapter Software ATCA IPMC here:**
<http://lappwiki.in2p3.fr/twiki/bin/view/AtlasLapp/Informatique>
- **It will take sometime before all features are implemented due to lack of human resources (six months to one year)**

CERN Approach



- **Firmware is late and it will take some time to be completed .**
- **CERN is investigating an IPMC solution with Pigeon Point. Discussions have started on a licence price for CERN. Many things need to be understood.**
 - Licence price.
 - What you get for that.
 - Should an IPMC board based on the Pigeon Point hardware implementation be designed.
- **CERN has agreed that, should another IPMC board be designed by them, it would use the same connector and pin-out as the one we have.**

Summary



- **The IPMC hardware is in production without any problem.**
- **Firmware (software) is late and will take time if we do not get help.**
- **CERN is investigating a solution in parallel using the Pigeon Point hardware and firmware implementation.**

Backup Slides



REQUESTS



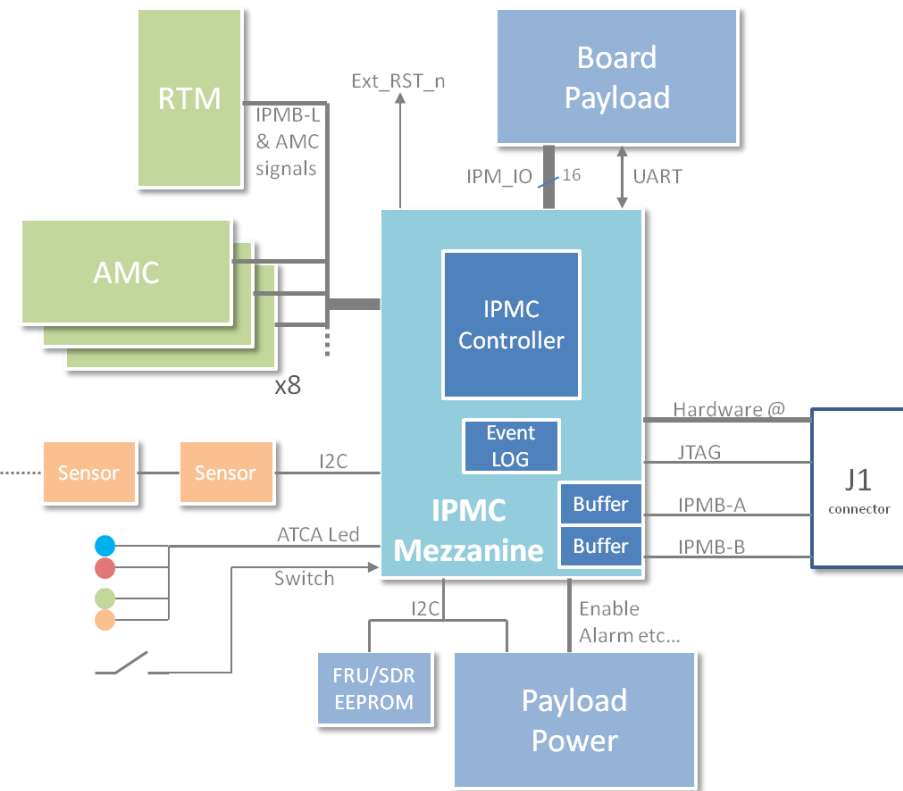
Experiment/Subdetector	Contact	June 2014	June 2015	June 2016	June 2017	Distribution Aug14	
						Number	Serial Nbs
ATLAS FTK/ CMS L1 tracking trigger R&D	Jinlong Zhang/Tiehui Liu	63	43			10	032 --> 041
ATLAS FEX ATCA Hub	Wade Fisher	1	7	18		1	31
ATLAS L1Calo eFEX	Ian Brawn	4	4	30		4	047 --> 050
ATLAS L1Calo FTM	Ian Brawn	3	5			3	051 --> 053
ATLAS L1Calo Topo	Ulrich Shaffer	5		4		5	042 --> 046
ATLAS L1Calo jFEX	Ulrich Shaffer	0		10			
ATLAS L1Calo gFEX	Ian Brawn ?						
ATLAS LAr	John Hobbs	4					
LHCB	Jean-Pierre Cachemiche	3					
BELLE	Igor Konorov	15				2	078, 147
Total		98	59	62		25	

Delayed until Oct14
given to Yuri 11th Aug14
Sent to Ian by DHL 8th Sept14
Sent to Ian by DHL 8th Sept14
Given to Eduard 9th Sept14

FTK/Pulsar2:
3 April
7 June FTK/Pulsar2:
53 Autumn 43 Summer

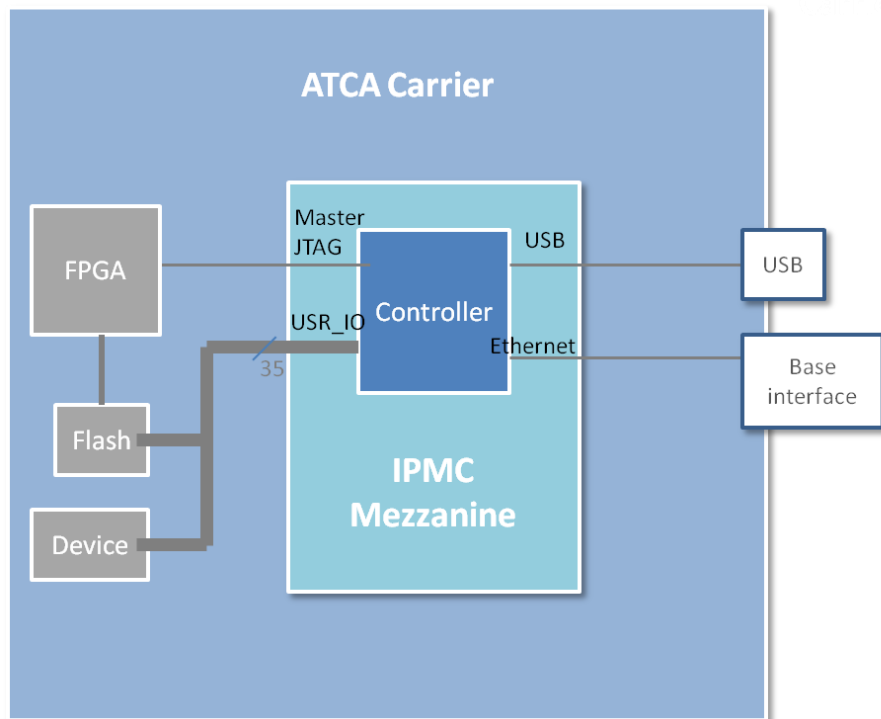
BELLE:
2 June
13 Autumn

IPMC Features



- **IPMC features**
 - IPMBus with on board buffers, Hardware address detection
 - Hot Swap management with ATCA Leds and front panel switch
 - Management of up to 8 AMC + RTM
 - On board Event LOG
 - FRU & SDR access via I2C
 - Access to ATCA board sensors via I2C
 - IPM_IO: Configurable User Signals for Payload management, ekeying ...

⇒ Reduce number of devices and save time for ATCA carrier designers

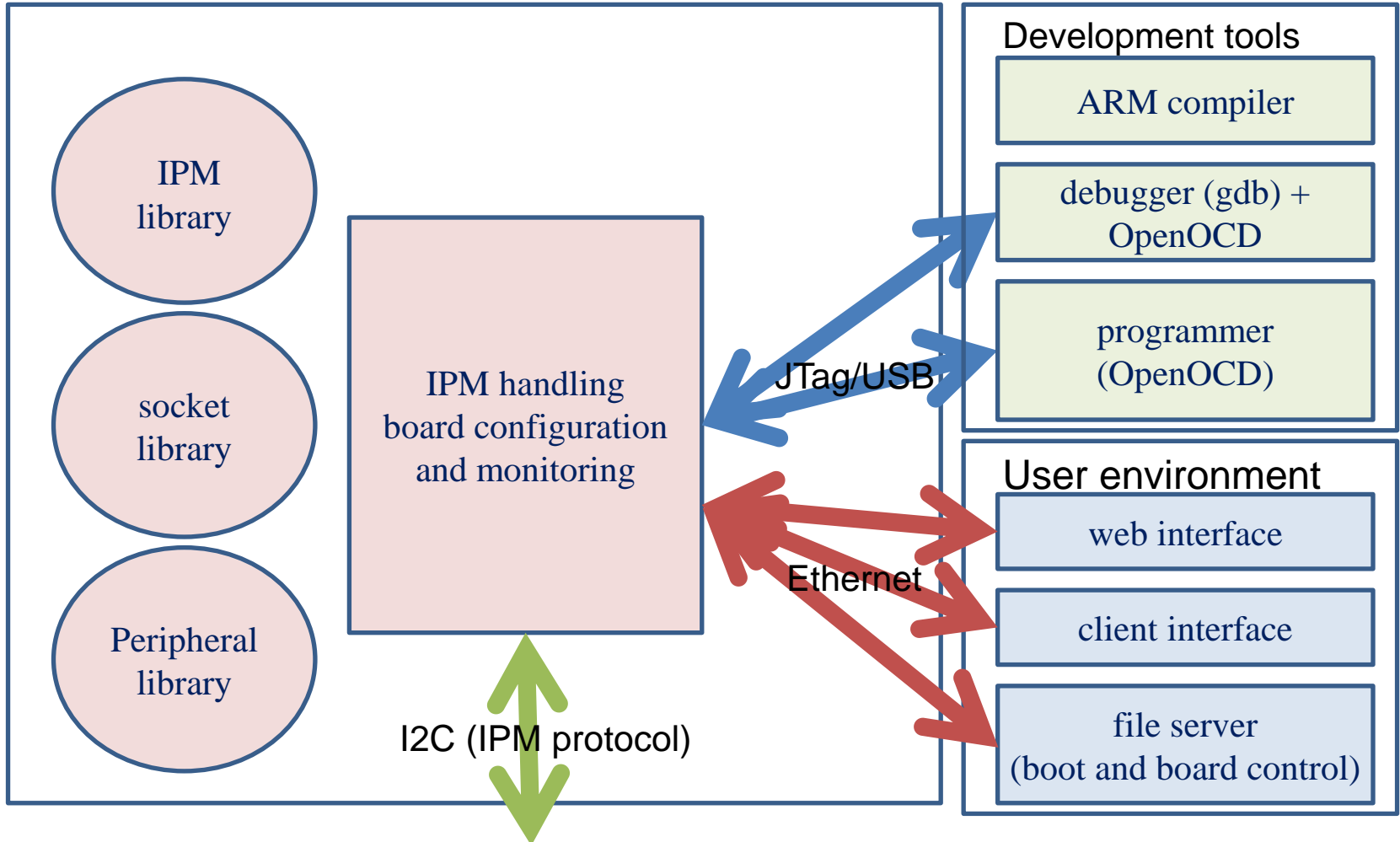


• NON-IPMC features

- Ethernet
- JTAG Master
- Custom interface
 - Up to 35 user IO
- USB port
- IPMC firmware upgrade
 - auto back to Factory Firmware if core freezes

⇒ Applications:

- Carrier FPGA or μ C firmware upgrade via Ethernet
- Interface between Ethernet / USB and user defined bus
- Etc... (user ideas)



- **Only Open Source Software.**