

LAPP IPMC STATUS

9th xTCA IG Meeting

25 February 2015

Guy Perrot on behalf of the LAPP Team

F. Bellachia, S. Cap, J. Fragnaud, N. Letendre, G. Perrot, I. Wingerter-Seez





Laboratoire d'Annecy-le-Vieux
de Physique des Particules

Outline

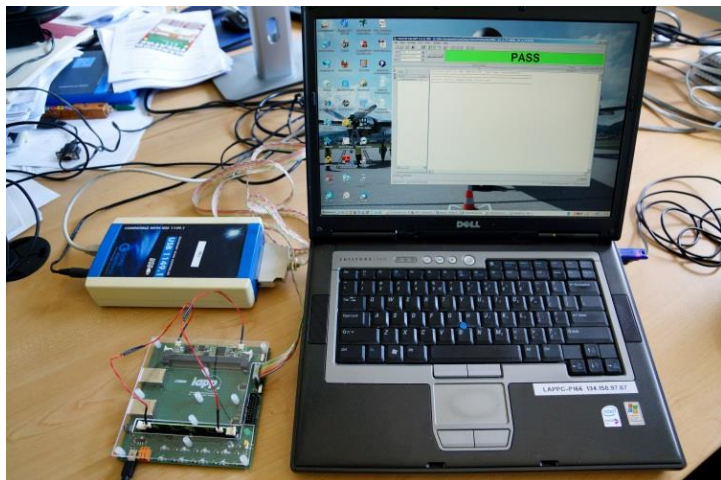


- **Hardware**
- **Firmware & Tools**


Hardware



- **Hardware is V2 Rev. 2**
- **Tests are done with Boundary Scan:** 90% of BS nets covered, 80% of all nets.
- **120 boards have been produced and tested (100 requested) in 2014.**
 - Only one with pbs (MicroC replaced).
 - 24 have been configured (MAC address and firmware) and 22 delivered.
- **Future productions: 60 in 2015 (on hold) & 60 in 2016 (as of today).**
- **Clients: ATLAS FTK, LAr & L1Calo (e/j/g/FEX, Topo); CMS, BELLE.**
- **Hardware documentation:**
<http://lappwiki.in2p3.fr/twiki/bin/view/AtlasLapp/ATCA>





- **ICARE-00-00-07 available very soon. (ICARE-00-00-06 online)**
 - tools for compiling, loading, debugging and executing the IPMC software.
 - source code (ICARE framework) for the IPMC.
 - Many examples for sensors, SDR/FRU...
- **IPMC firmware**
 - Management of ATCA blade
 - FRU/SDR, Sensors, Backplane E-Keying.
 - TCP/IP on 10/100 MbE for IPMC firmware update (proprietary solution). 
 - What is not yet integrated:
 - AMC Management.
 - JTAG Master.
- **Tools & Code will be available in chapter Software ATCA IPMC here:**
<http://lappwiki.in2p3.fr/twiki/bin/view/AtlasLapp/Informatique>
- **Discussions on going to get help for completing the firmware.**
- **It will take sometime before missing features are implemented due to lack of human resources (six months?)**

Firmware Update



- **Factory Firmware will be initially stored in both the IPMC flash memory and micro-controllers internal flash memory.**
- **The factory firmware always remains available in the IPMC flash memory.**
- **The micro-controllers will revert to it after 3 failing consecutive attempts of upgrading the internal flash memory.**
- **Firmware update requires a new firmware in the IPMC CPLD.**
 - Version 5 soon to be available from the ICARE twiki page.
 - Requires the USB-JTAG Adaptor and openOCD tool for upgrading.
 - For those requiring it, IPMCs will be exchanged if you do not want to do the update yourselves.

Summary



- **The IPMC hardware is in production without any problem.**
- **Firmware (software) is late and will take time.**
- **Discussions are on going to get help.**



Backup Slides



REQUESTS



Laboratoire d'Annecy-le-Vieux
de Physique des Particules

Experiment/Subdetector	Contact	June 2014	June 2015	June 2016	June 2017	Distribution	Serial Nbs
						Aug14	
ATLAS FTK/ CMS L1 tracking trigger R&D	Jinlong Zhang/Tiehui Liu/Alberto Annovi	63	43			10	032 --> 041
ATLAS FEX ATCA Hub	Wade Fisher	1	7	18		1	31
ATLAS L1Calo eFEX	Ian Brawn	4	4	30		4	047 --> 050
ATLAS L1Calo FTM	Ian Brawn	3	5			3	051 --> 053
ATLAS L1Calo Topo	Ulrich Shaffer	5		4		5	042 --> 046
ATLAS L1Calo jFEX	Ulrich Shaffer	0		10			
ATLAS L1Calo gFEX	Michael Begel	2	2	4			55
ATLAS LAr	John Hobbs	4					54
LHCB	Jean-Pierre Cachemiche	3					
BELLE	Igor Konorov	15				2	078, 147
Total		100	61	66		25	

5 (032-036) given to Jinlong 3rd Dec14
2 (037,038) given to Rex 3rd Jan15
Given to Yuri 11th Aug14
Sent to Ian by DHL 8th Sept14
Sent to Ian by DHL 8th Sept14
Given to Eduard 9th Sept14
One given to Hucheng 5th Nov14
One given to John 5th Nov14
Given to Igor 7th Nov14

FTK/Pulsar2: gFEX: +1 ?
43 Summer

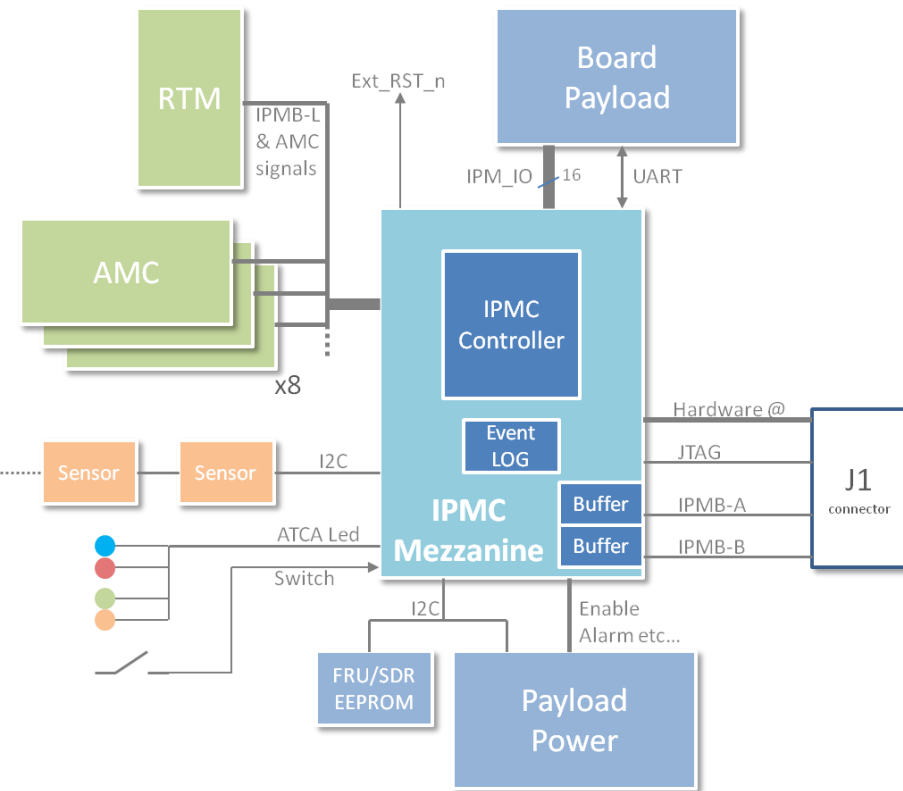
FTK/Pulsar2:
3 April
7 June
53 Autumn

BELLE:
2 June
13 Autumn

Table produced 18/3/2014 updated 31/7/2014 (BELLE) updated 11/8/14 for distribution August 14

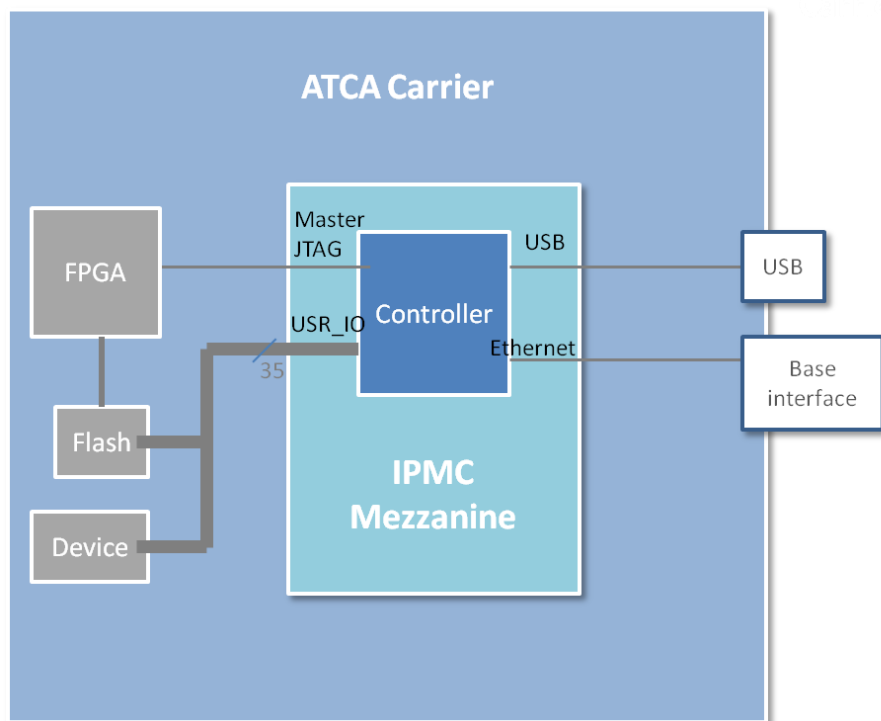
Updated 24/9/14 for gFEX and modified 5/11/2014 for sharing between gFEX and LAr

IPMC Features



- **IPMC features**
 - IPMBus with on board buffers, Hardware address detection
 - Hot Swap management with ATCA Leds and front panel switch
 - Management of up to 8 AMC + RTM
 - On board Event LOG
 - FRU & SDR access via I2C
 - Access to ATCA board sensors via I2C
 - IPM_IO: Configurable User Signals for Payload management, ekeying ...

⇒ Reduce number of devices and save time for ATCA carrier designers

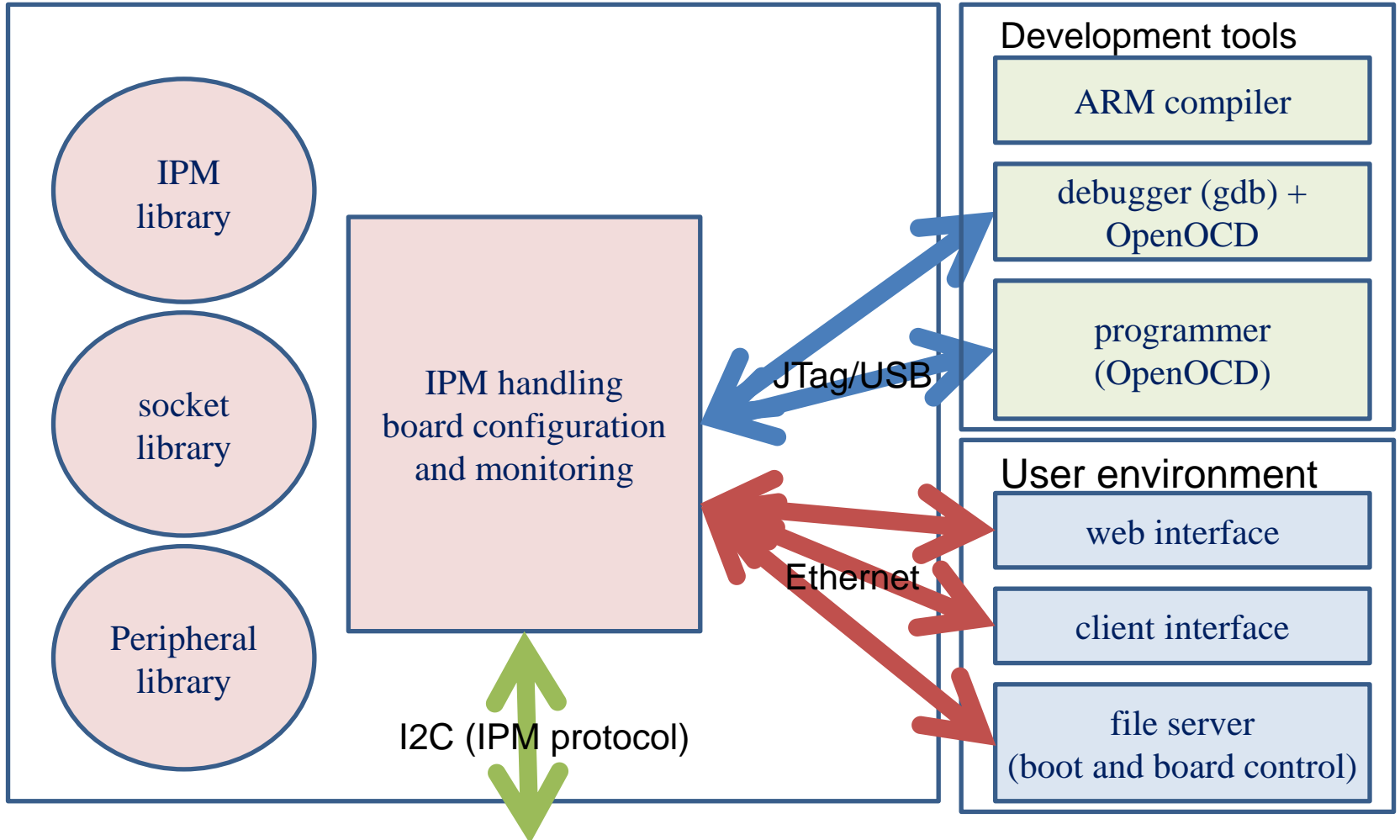


• NON-IPMC features

- Ethernet
- JTAG Master
- Custom interface
 - Up to 35 user IO
- USB port
- IPMC firmware upgrade
 - auto back to Factory Firmware if core freezes

⇒ Applications:

- Carrier FPGA or μ C firmware upgrade via Ethernet
- Interface between Ethernet / USB and user defined bus
- Etc... (user ideas)



- **Only Open Source Software.**