

## TABLE OF CONTENTS

PAGE 2 : INTERFACE MICROCONTROLLER

PAGE 3 : IPMC MICROCONTROLLER

PAGE 4 : POWER MICROCONTROLLER

PAGE 5 : ETHERNET , FRAM , BUFFER I2C , RESET , CLOCK

PAGE 6 : LEDS , JTAG , CPLD , FLASH MEMORY

PAGE 7 : 244 PINS EDGE CONNECTOR

PAGE 8 : JTAG CHAINS CONFIGURATIONS

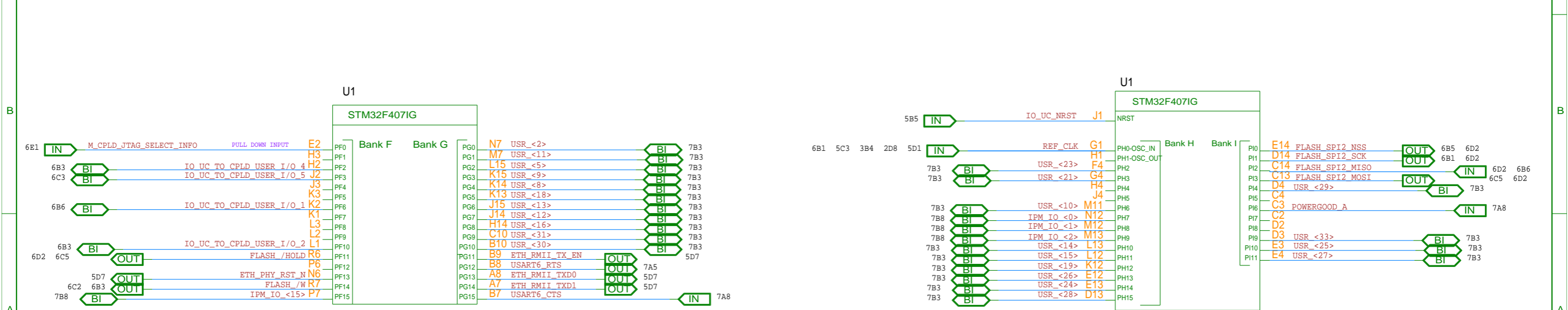
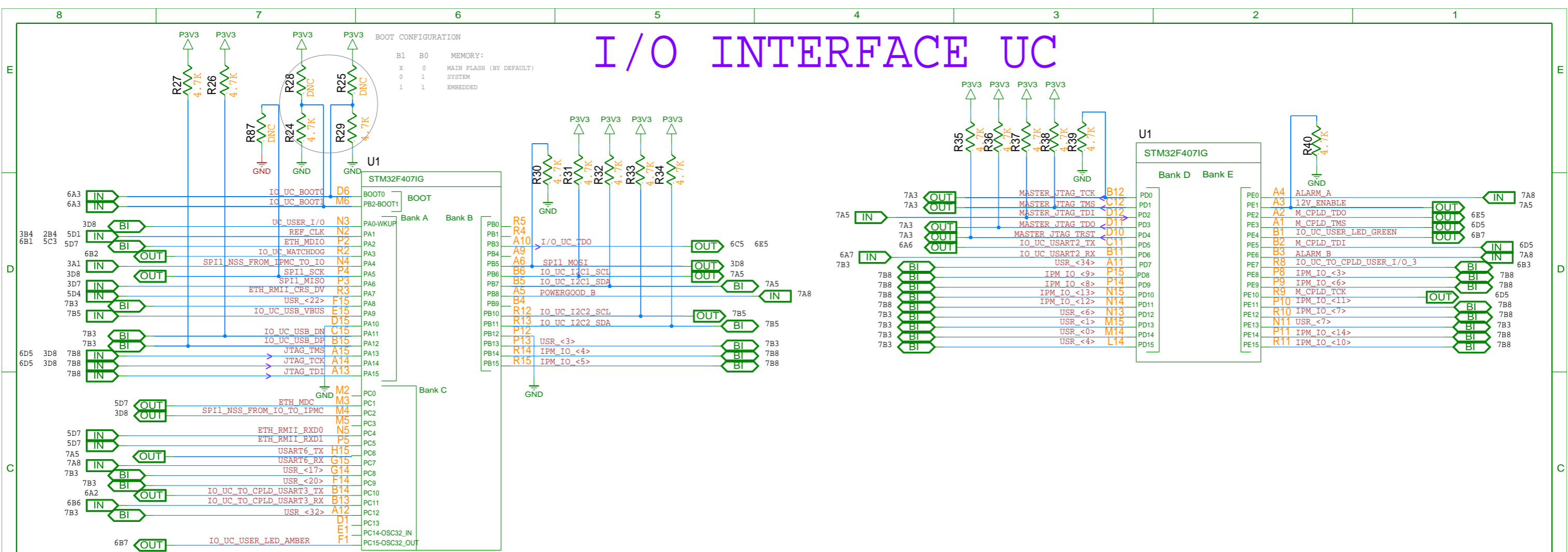


PAGE TITLE: DESIGN SUMMARY	
DATE: Fri Aug 09 15:55:00 2013	
DRAWN BY: LAPP SC	PAGE: 1 / 8
BOARD: IPMC Mezz. V2.1	

# I/O INTERFACE UC

BOOT CONFIGURATION

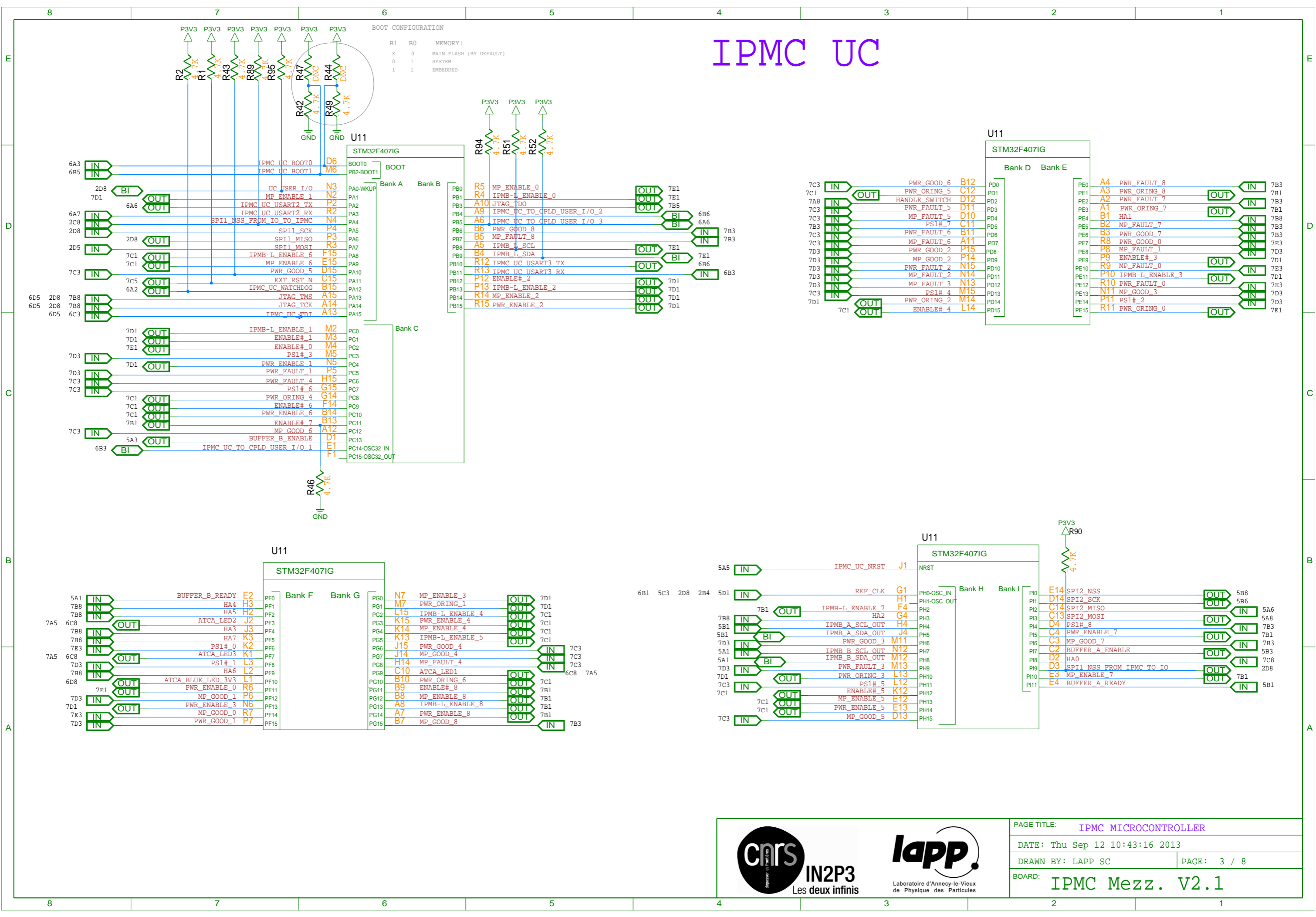
B1	B0	MEMORY:
X	0	MAIN FLASH (BY DEFAULT)
0	1	SYSTEM
1	1	EMBEDDED



# IPMC UC

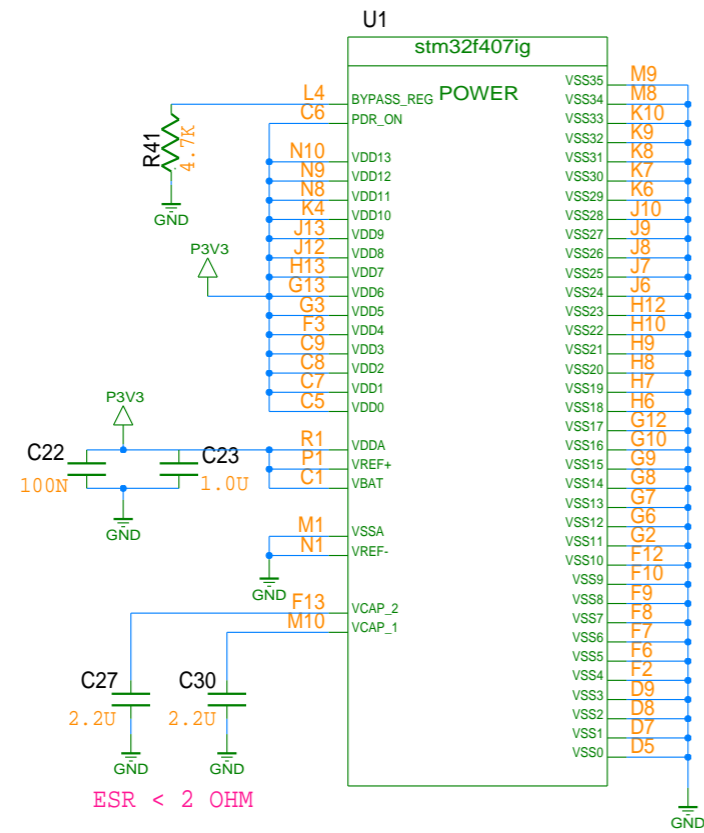
## BOOT CONFIGURATION

B1	B0	MEMORY:
x	0	MAIN FLASH (BY DEFAULT)
0	1	SYSTEM
1	1	EMBEDDED



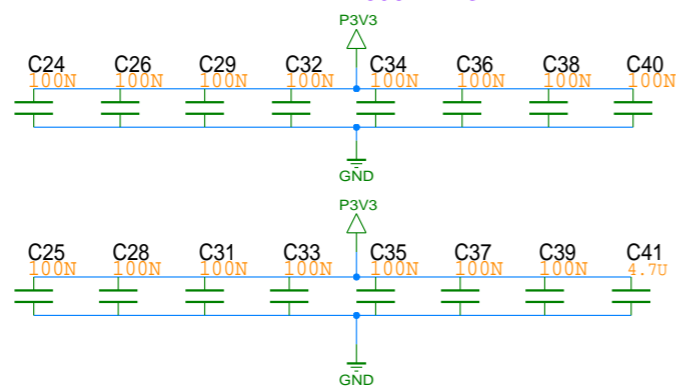
POWER & GND

I/O INTERFACE UC



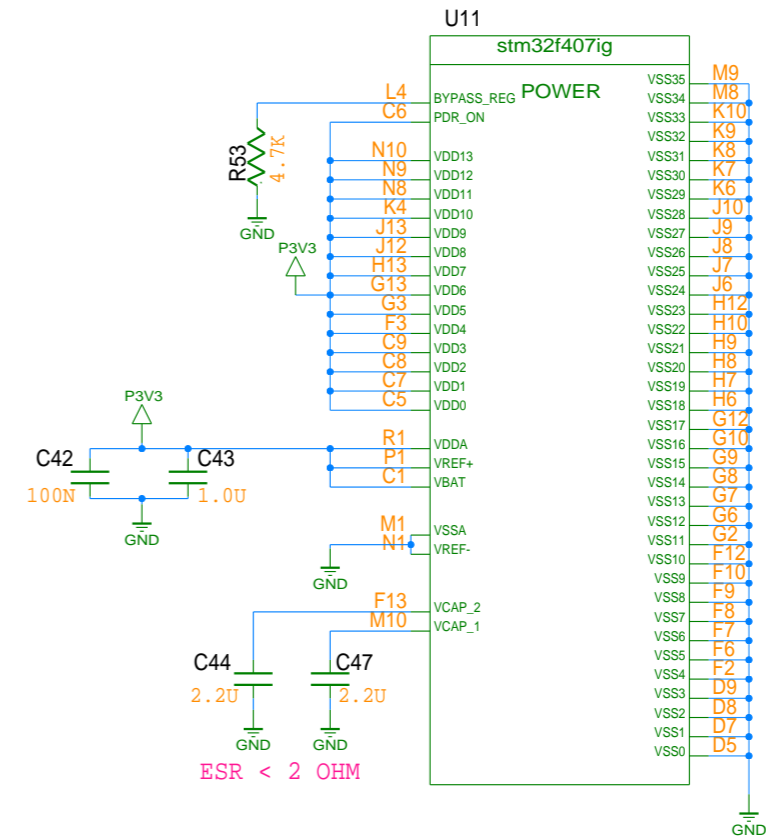
ESR < 2 OHM

DECOUPLING



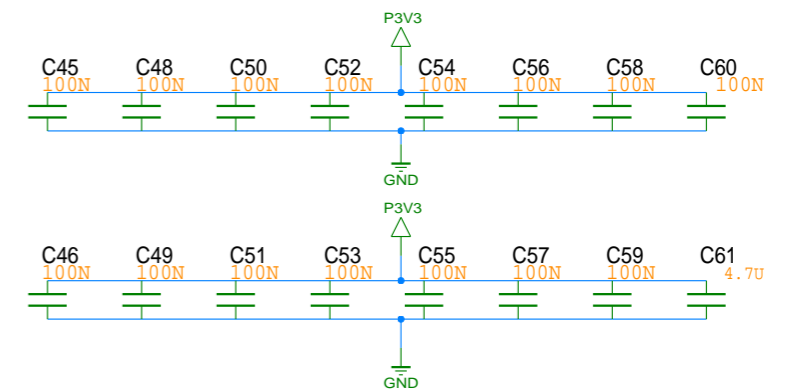
POWER & GND

IPMC UC

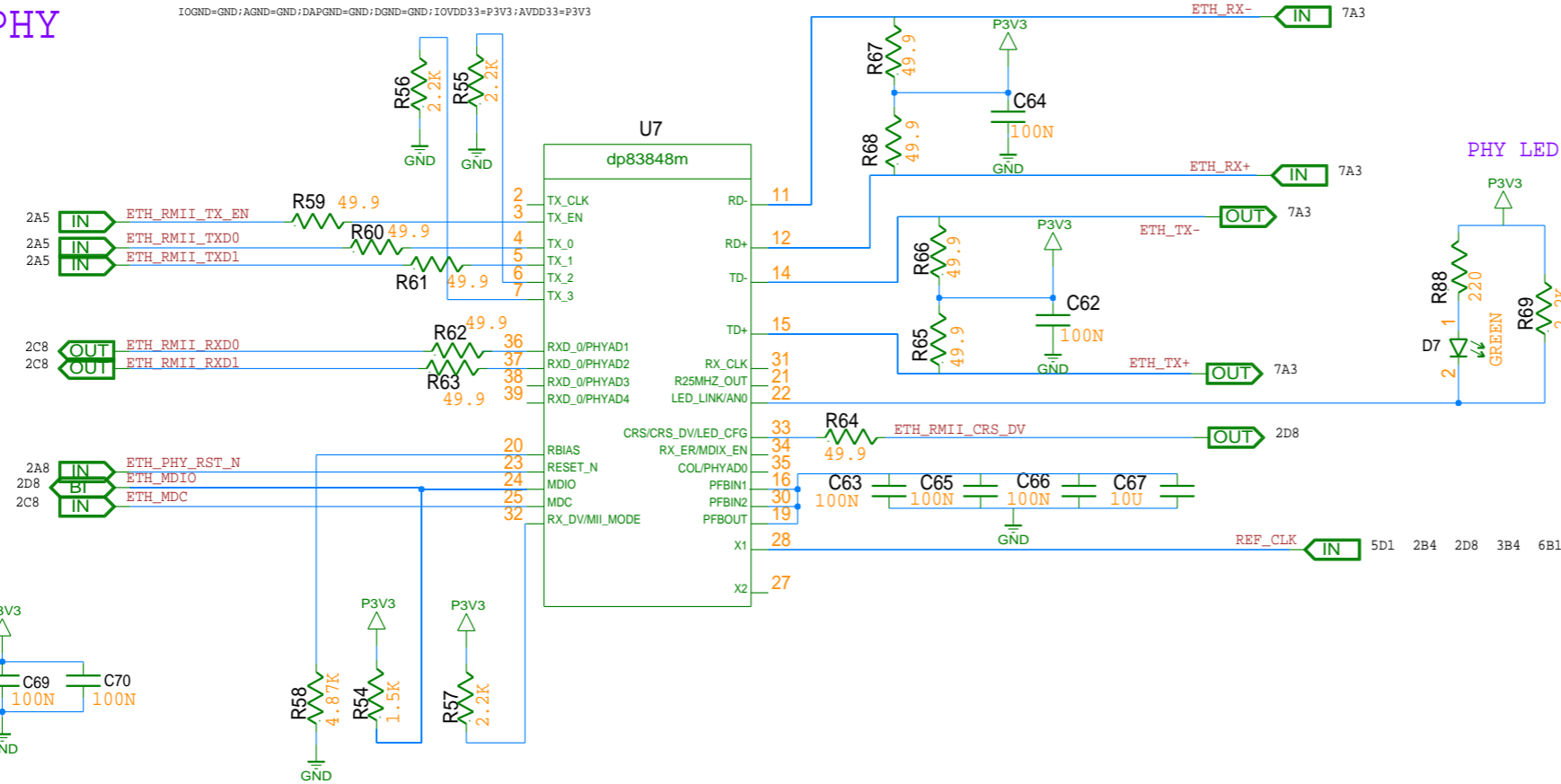


ESR < 2 OHM

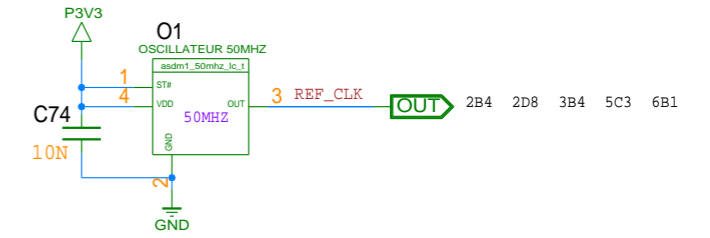
DECOUPLING



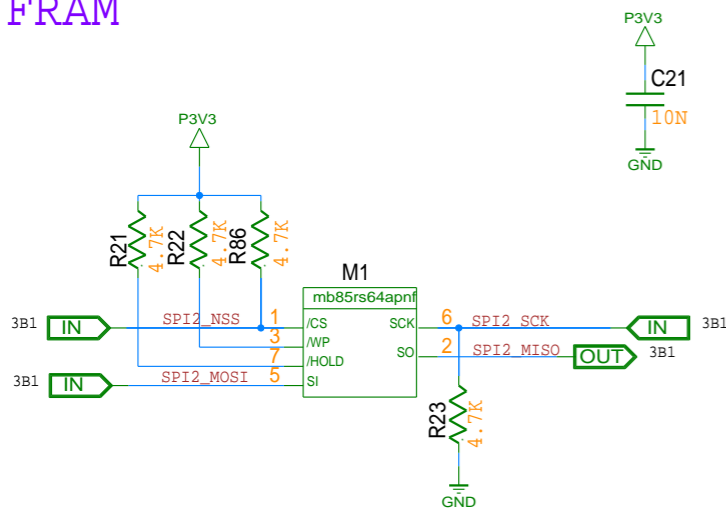
# ETHERNET PHY



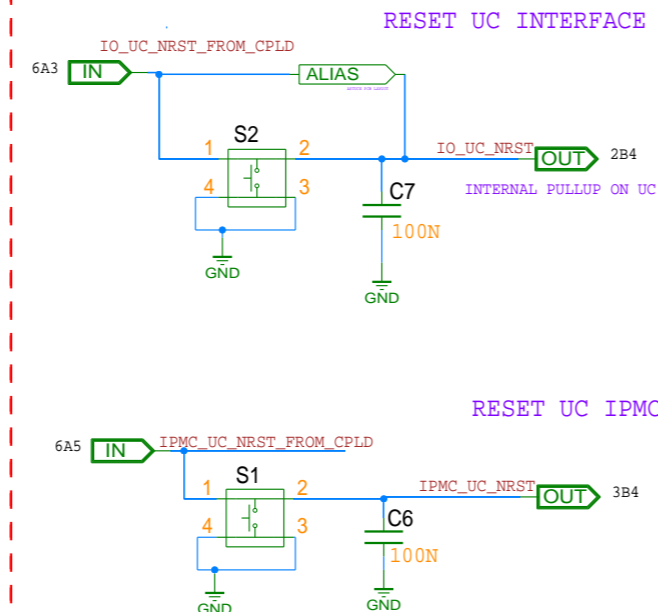
# CLOCK



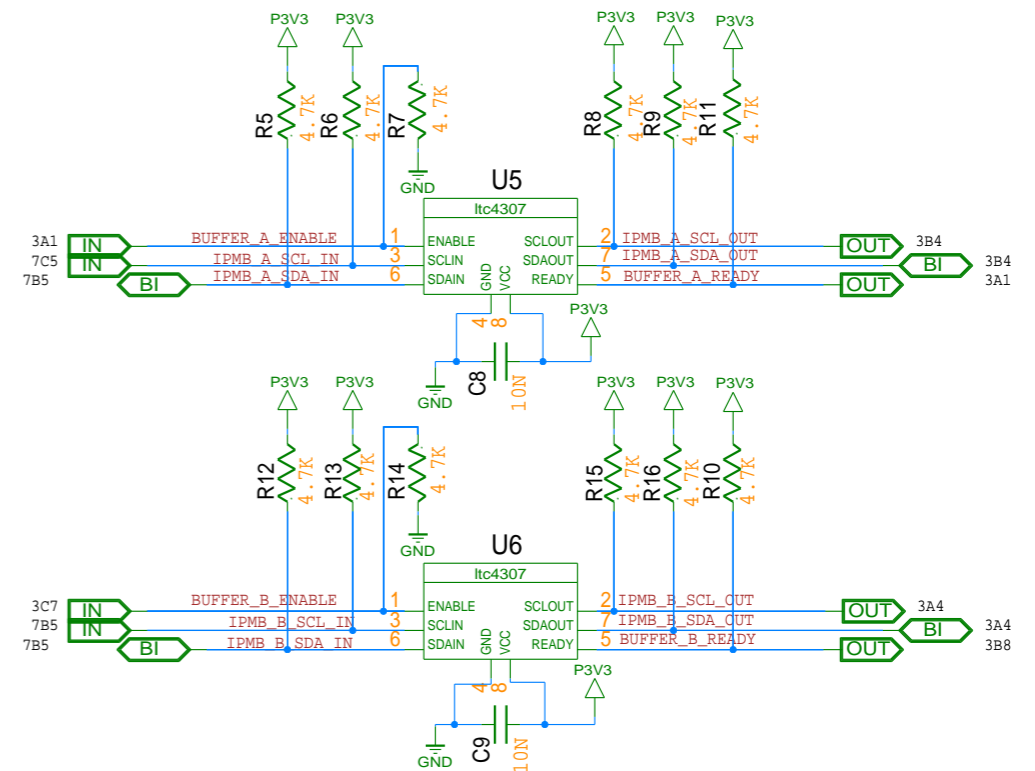
# EVENT LOG MEMORY FRAM



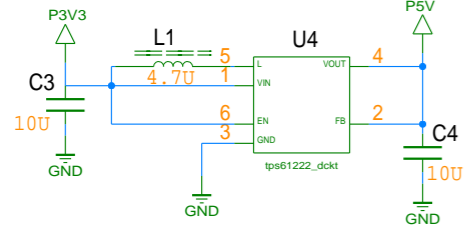
# RESET UC



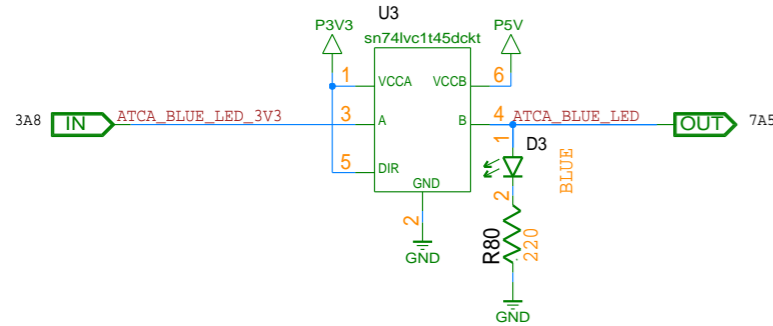
# BUFFER I2C



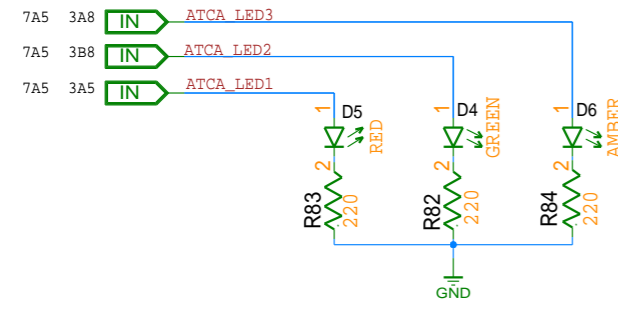
### BOOSTER 3V3 TO 5V



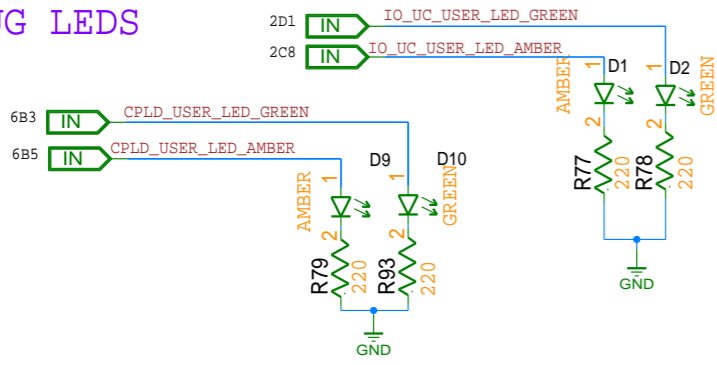
### ATCA BLUE LED



### ATCA LEDS

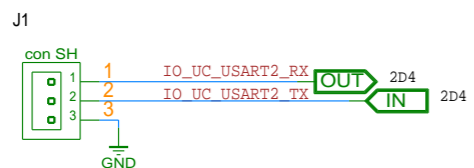


### DEBUG LEDS

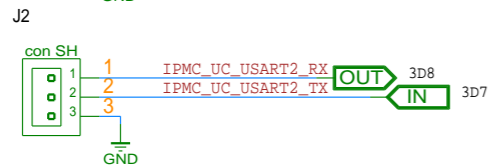


### DEBUG CONNECTORS.

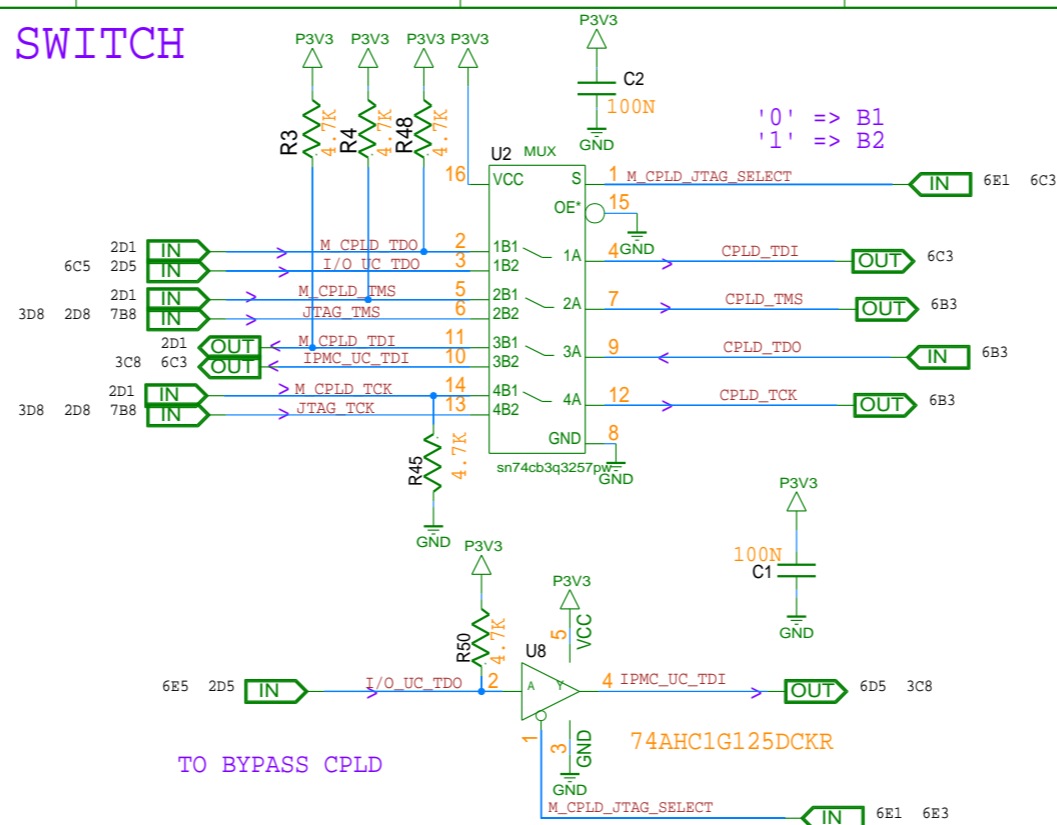
#### UART3 ON UC



#### IPMC UC

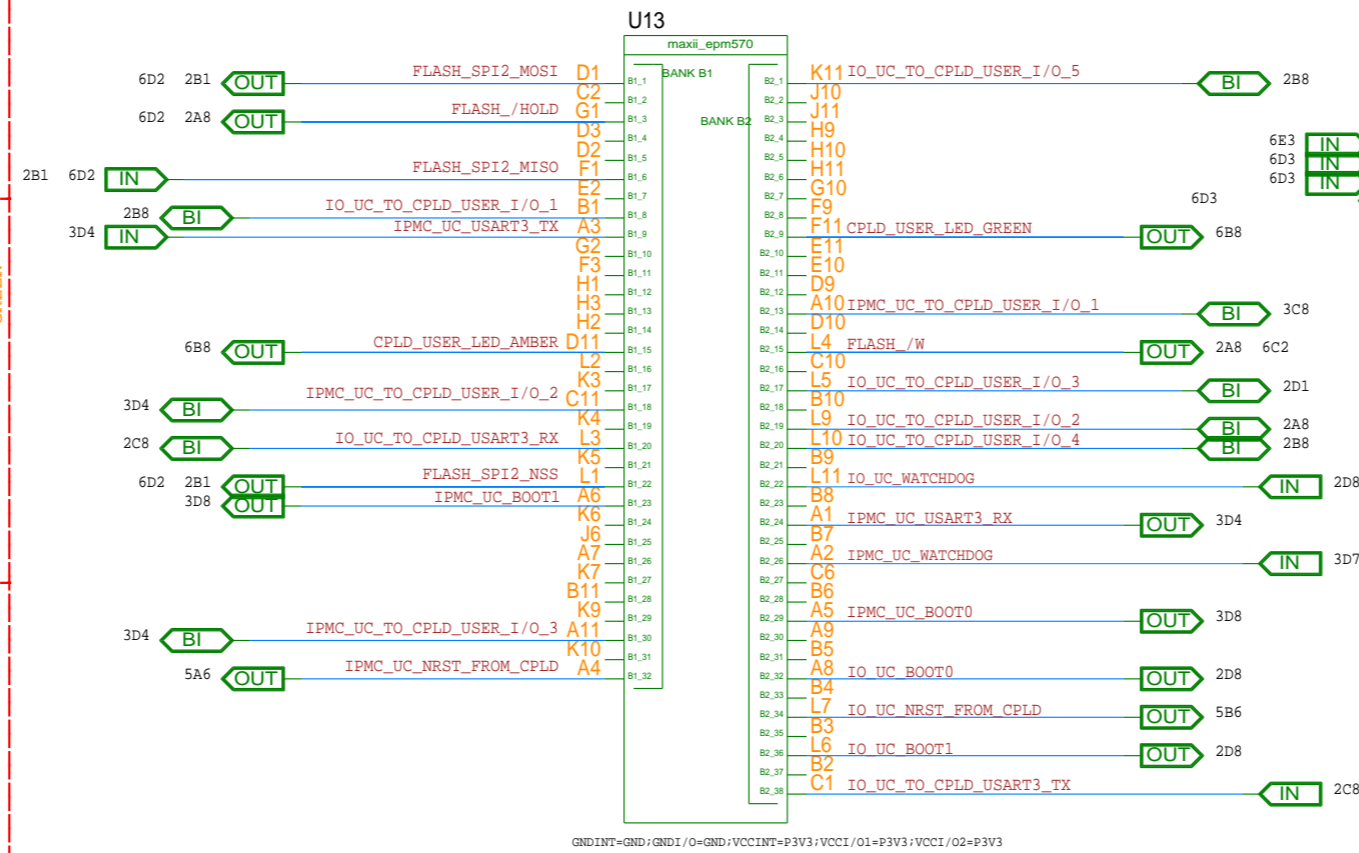


### JTAG SWITCH

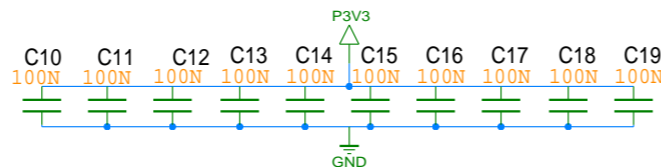


TO BYPASS CPLD

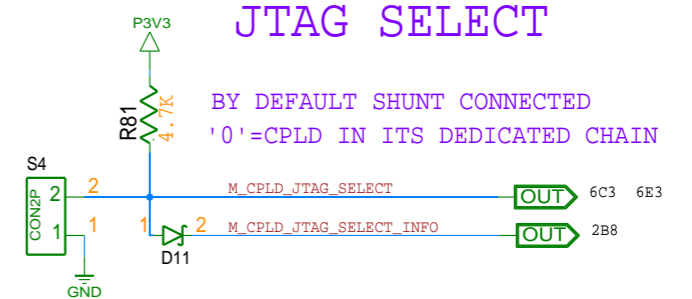
### CPLD MAX II



### DECOUPLING

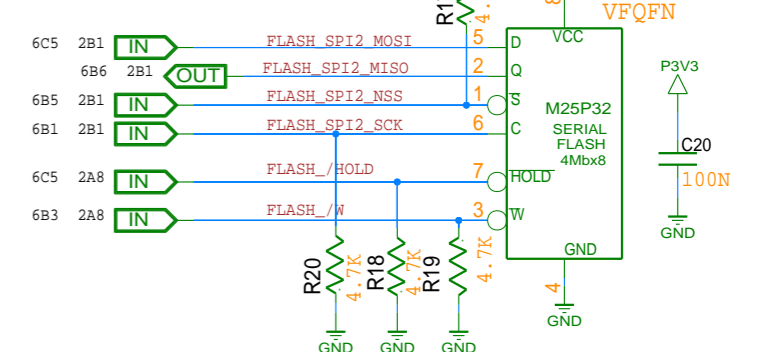


### JTAG SELECT

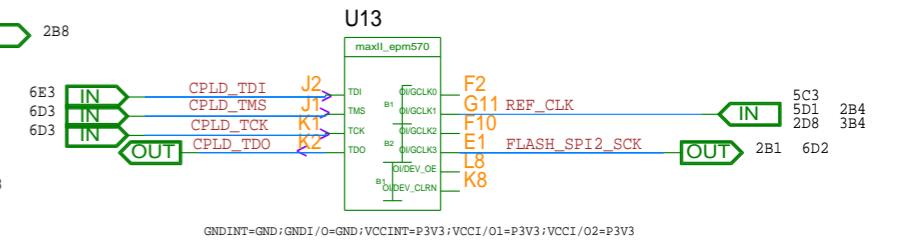


### CONFIG MEMORY

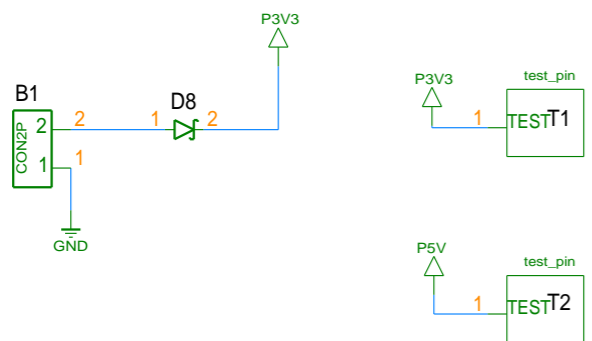
#### 32MBIT FLASH



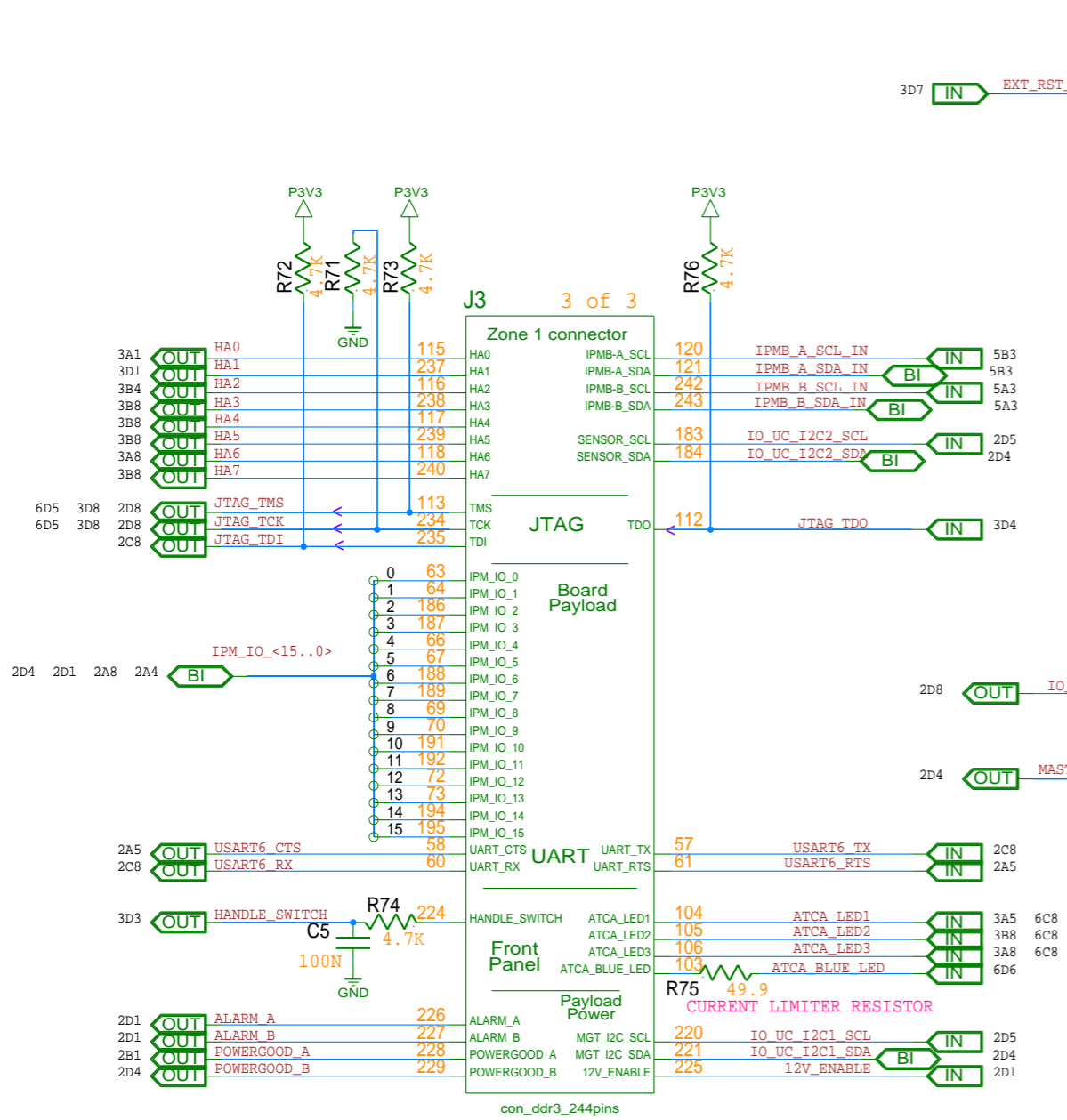
### JTAG



EXTERNAL SUPPLY 3V3



EDGE CONNECTOR DDR3 TYPE



J3 2 of 3

USR_0	75	0
USR_1	76	1
USR_2	197	2
USR_3	198	3
USR_4	78	4
USR_5	79	5
USR_6	201	6
USR_7	81	7
USR_8	82	8
USR_9	82	9
USR_10	203	10
USR_11	204	11
USR_12	84	12
USR_13	85	13
USR_14	206	14
USR_15	207	15
USR_16	87	16
USR_17	88	17
USR_18	209	18
USR_19	210	19
USR_20	90	20
USR_21	212	21
USR_22	91	22
USR_23	213	23
USR_24	92	24
USR_25	214	25
USR_26	93	26
USR_27	215	27
USR_28	94	28
USR_29	216	29
USR_30	95	30
USR_31	217	31
USR_32	96	32
USR_33	218	33
USR_34	98	34

J3 1 of 3

PS1#	ENABLE#	IPMB-L	IPMB-L
0	0	168	169
0	3	4	5
0	4	6	7
0	5	8	9
0	6	10	11
1	125	126	127
1	126	128	129
1	127	128	129
1	128	129	130
1	129	130	131
1	130	131	132
2	14	15	16
2	15	16	17
2	16	17	18
2	17	18	19
2	18	19	20
2	19	20	21
3	136	137	138
3	137	138	139
3	138	139	140
3	139	140	141
3	140	141	142
3	141	142	143
4	25	26	27
4	26	27	28
4	27	28	29
4	28	29	30
4	29	30	31
4	30	31	32
5	147	148	149
5	148	149	150
5	149	150	151
5	150	151	152
5	151	152	153
5	152	153	154
6	36	37	38
6	37	38	39
6	38	39	40
6	39	40	41
6	40	41	42
6	41	42	43
7	158	159	160
7	159	160	161
7	160	161	162
7	161	162	163
7	162	163	164
7	163	164	165
8	47	48	49
8	48	49	50
8	49	50	51
8	50	51	52
8	51	52	53
8	52	53	54



S4 SHUNT  
GEOGRAPHICAL POSITION  
ON BOARD

