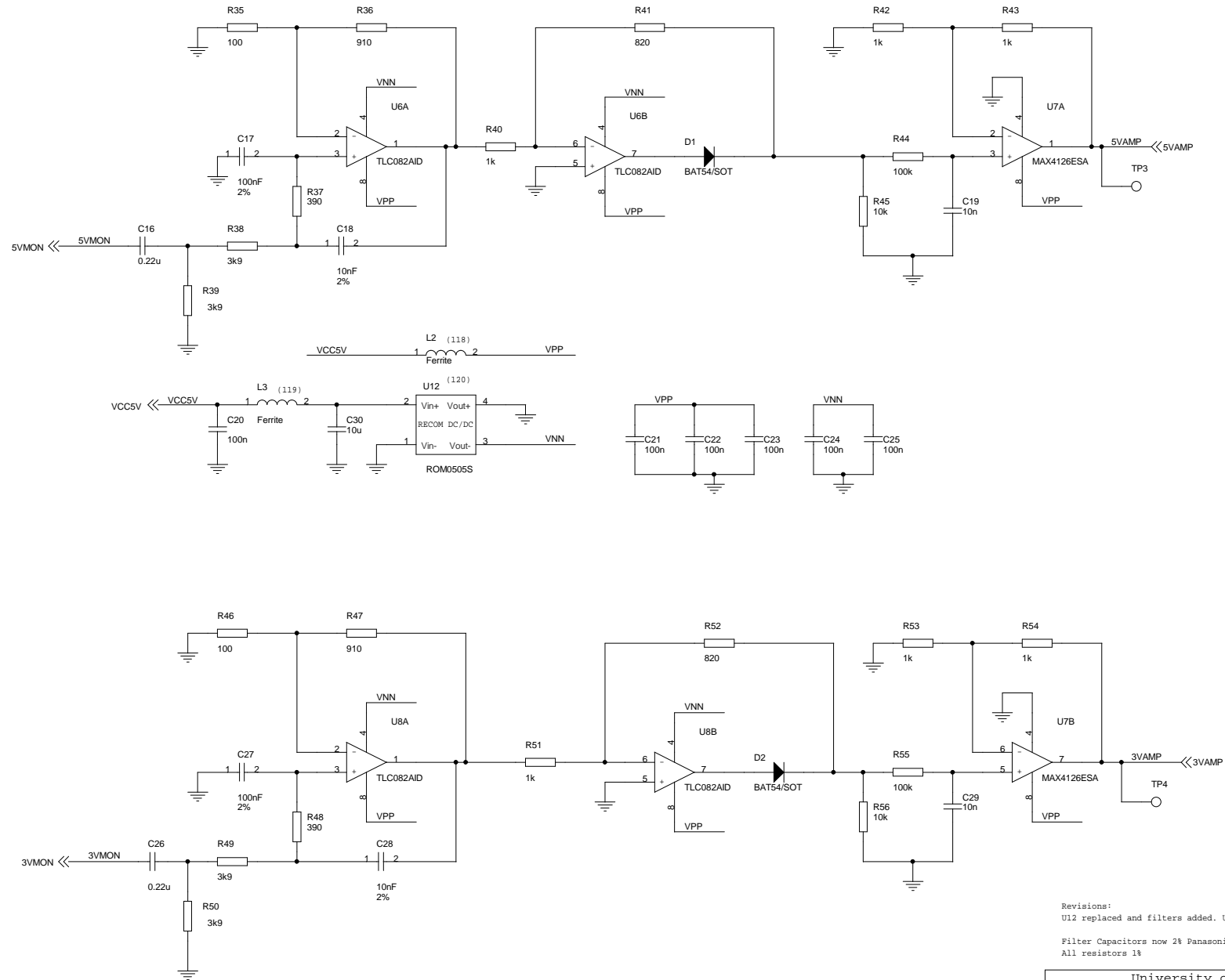


Resistors not labelled will be used as pads (0603). They should not be assembled

Revisions:
U5 pins 64, 65 & 67 swapped VCC/GND

University of Birmingham		
Title CLOCK ALIGNMENT MODULE DAUGHTER CARD		
Size A3	Document Number <Doc>	Rev 2
Date: Tuesday, July 07, 2009	Sheet 1	of 3



Revisions:
 U12 replaced and filters added. U6,7 & 8 replaced
 Filter Capacitors now 2% Panasonic ECHU Type
 All resistors 1%

University of Birmingham		
Title CLOCK ALIGNMENT MODULE DAUGHTER CARD		
Size A3	Document Number <Doc>	Rev 2
Date: Tuesday, July 07, 2009	Sheet 2	of 3