

| ISSUE | DATE | MOD NO. | DRN BY. | CHKD. | APPD. | STATUS |
|-------|------------|---------|----------------|--------------------|--------------------|--------|
| E | 20/09/2006 | TE294 | D. J. BECKETT | I. BRAUN/V. PERERA | I. BRAUN/V. PERERA | |
| D | 16/06/2006 | TE293 | D. J. BECKETT | I. BRAUN/V. PERERA | I. BRAUN/V. PERERA | |
| C | 10/12/2004 | TE258 | D. J. BECKETT | I. BRAUN/V. PERERA | I. BRAUN/V. PERERA | |
| B | 24/01/2003 | TE222 | P. APOSTOLOGLU | P. APOSTOLOGLU | P. APOSTOLOGLU | |
| A | 09/12/2002 | ----- | P. APOSTOLOGLU | P. APOSTOLOGLU | P. APOSTOLOGLU | |

USED ON ATLAS CALORIMETER FIRST-LEVEL TRIGGER

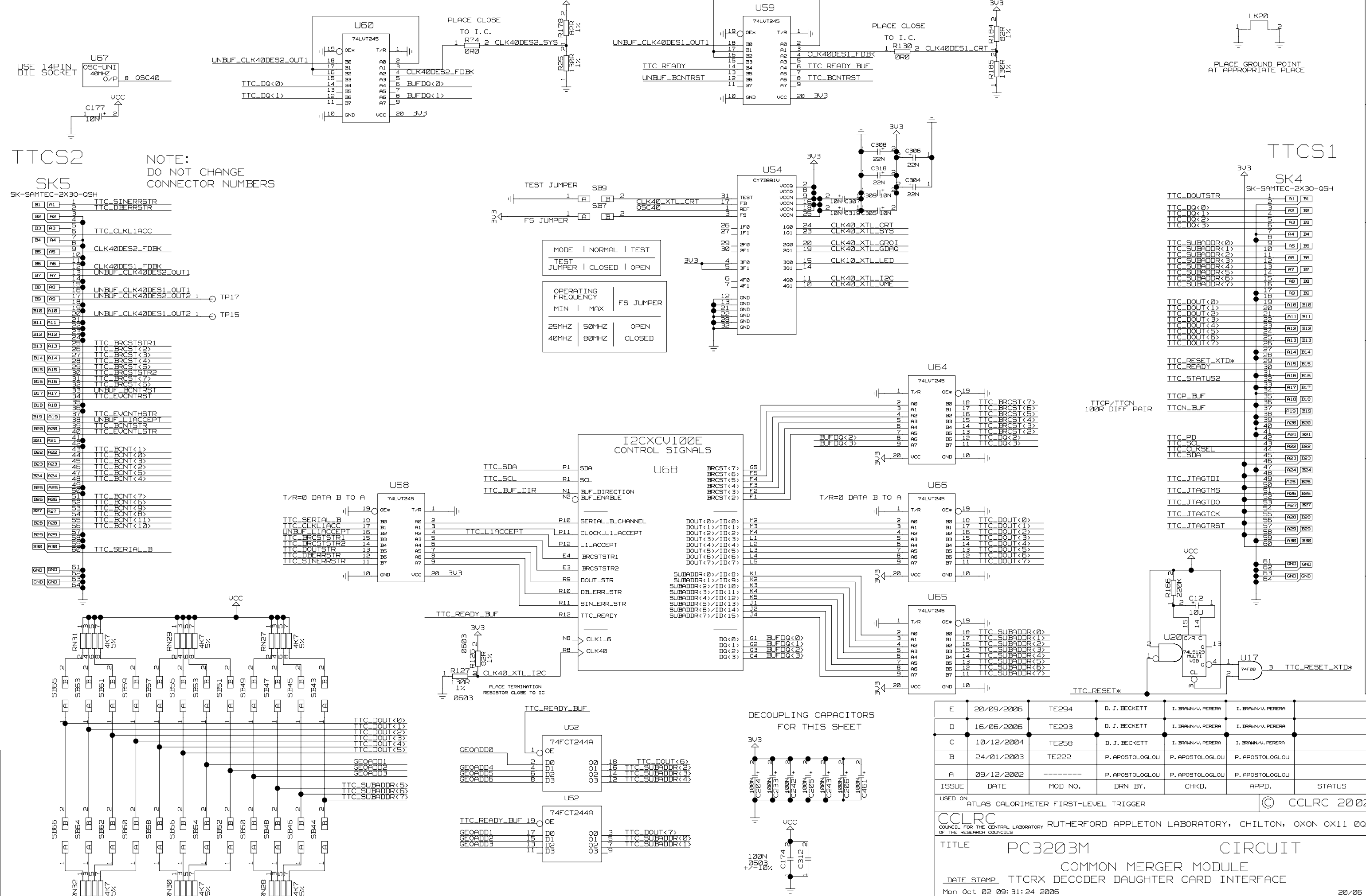
© CCLRC 2002

CCLRC COUNCIL FOR THE CENTRAL LABORATORY OF THE RESEARCH COUNCILS RUTHERFORD APPLETON LABORATORY, CHILTON, OXON OX11 0QX.

TITLE PC3203M CIRCUIT COMMON MERGER MODULE UME INTERFACE

DATE STAMP Mon Oct 02 09:31:19 2006

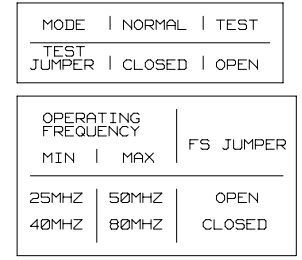
A2-TE-0073-066-01-E



TTC_S2
SK5
SK-5AMTEC-2X30-05H

NOTE:
DO NOT CHANGE
CONNECTOR NUMBERS

TTC_S1
SK4
SK-5AMTEC-2X30-05H



DECOUPLING CAPACITORS FOR THIS SHEET

| | | | | | | |
|-------|------------|---------|----------------|--------------------|--------------------|--------|
| E | 20/09/2006 | TE294 | D. J. BECKETT | I. BRAUN/V. PERERA | I. BRAUN/V. PERERA | |
| D | 16/06/2006 | TE293 | D. J. BECKETT | I. BRAUN/V. PERERA | I. BRAUN/V. PERERA | |
| C | 10/12/2004 | TE258 | D. J. BECKETT | I. BRAUN/V. PERERA | I. BRAUN/V. PERERA | |
| B | 24/01/2003 | TE222 | P. APOSTOLOGLU | P. APOSTOLOGLU | P. APOSTOLOGLU | |
| A | 09/12/2002 | ----- | P. APOSTOLOGLU | P. APOSTOLOGLU | P. APOSTOLOGLU | |
| ISSUE | DATE | MOD NO. | DRN BY. | CHKD. | APPD. | STATUS |

USED ON
ATLAS CALORIMETER FIRST-LEVEL TRIGGER

© CCLRC 2002

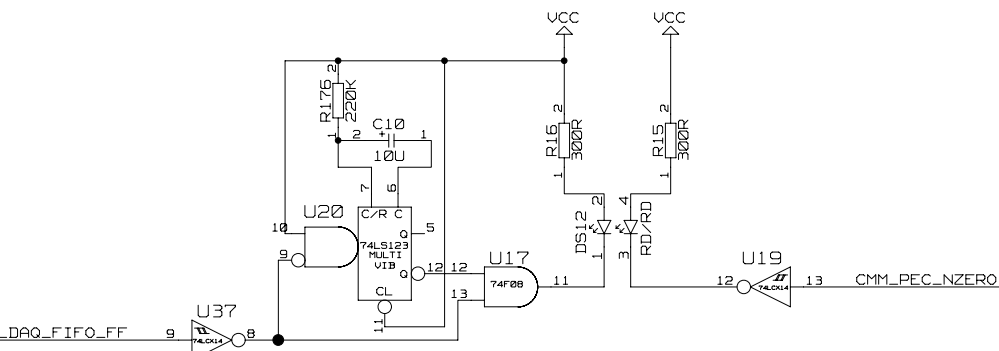
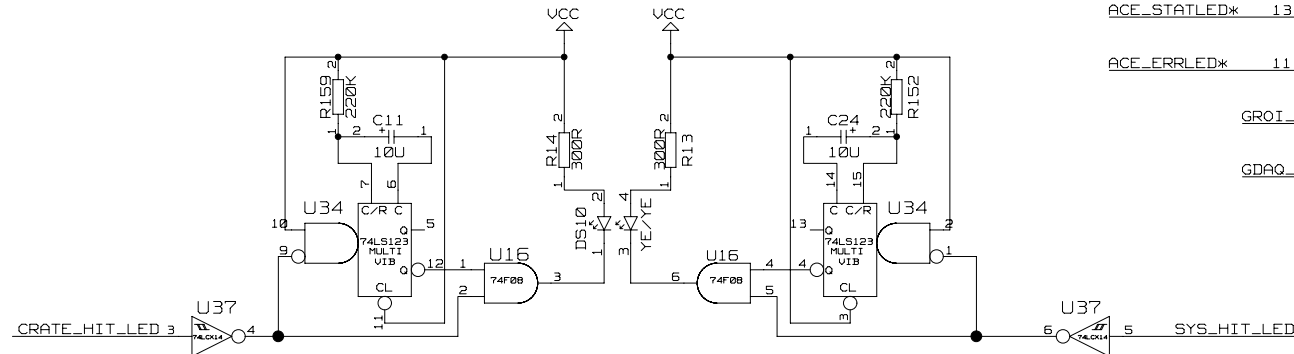
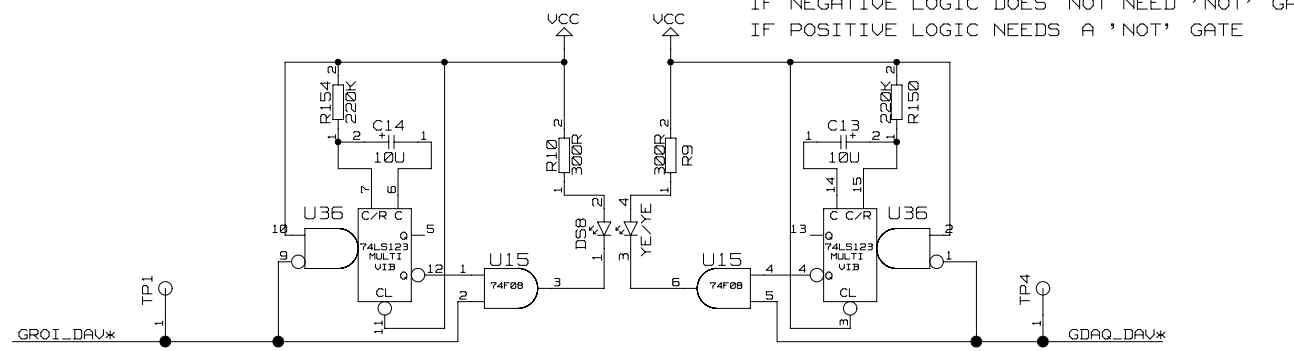
CCLRC
COUNCIL FOR THE CENTRAL LABORATORY
OF THE RESEARCH COUNCILS

RUTHERFORD APPLETON LABORATORY, CHILTON, OXON OX11 0QX.

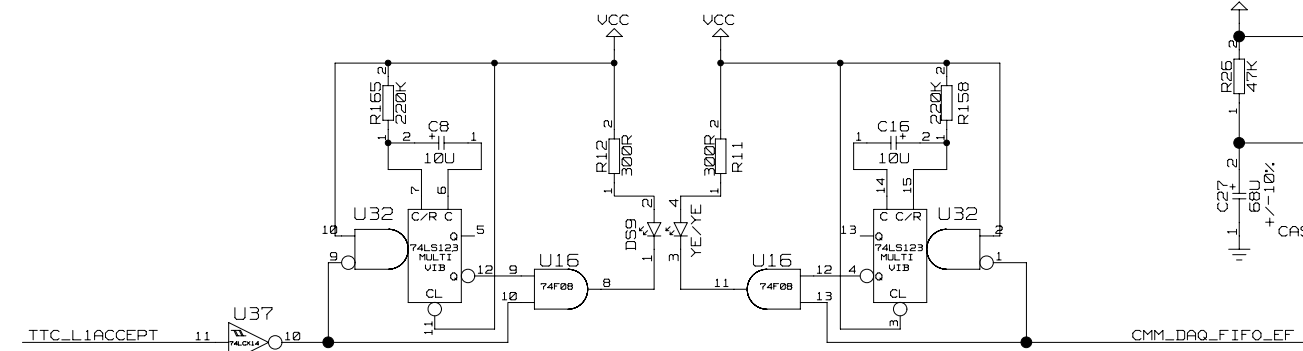
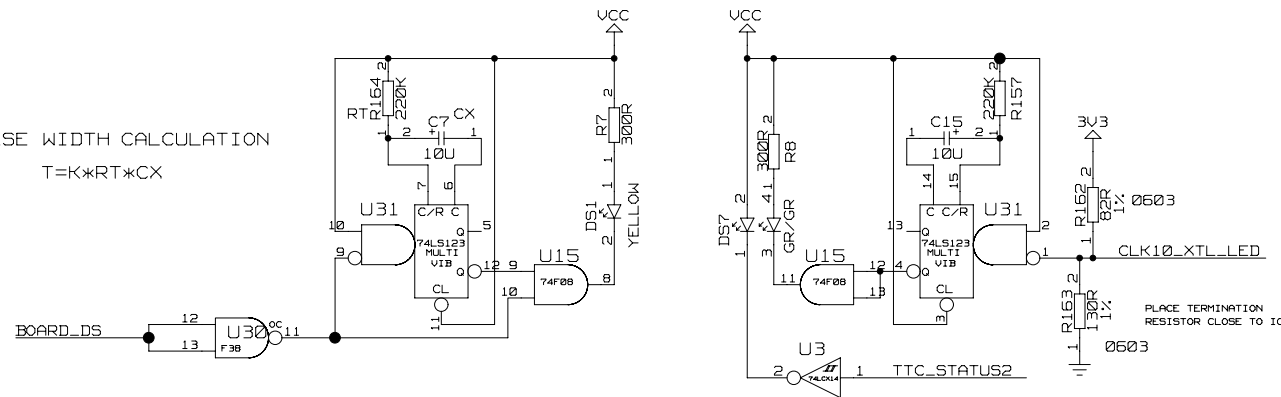
TITLE
PC3203M
CIRCUIT
COMMON MERGER MODULE
DATE STAMP TTCRX DECODER DAUGHTER CARD INTERFACE
Mon Oct 02 09:31:24 2006

FRONT PANEL LEDS

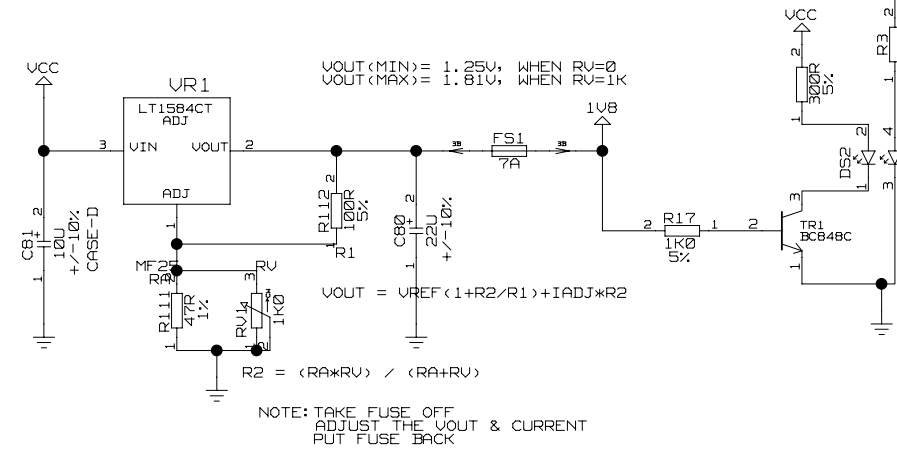
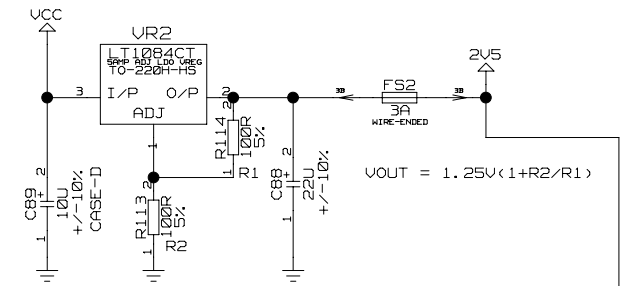
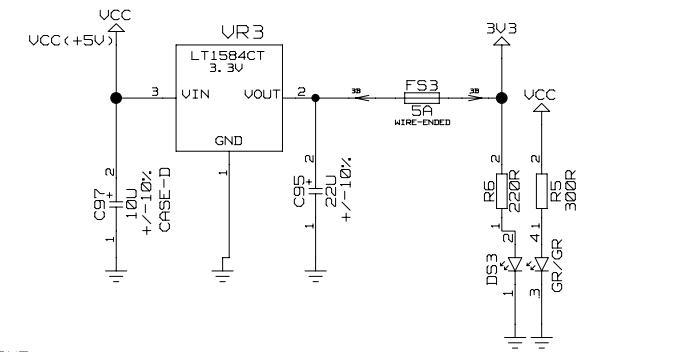
IF NEGATIVE LOGIC DOES NOT NEED 'NOT' GATE
IF POSITIVE LOGIC NEEDS A 'NOT' GATE



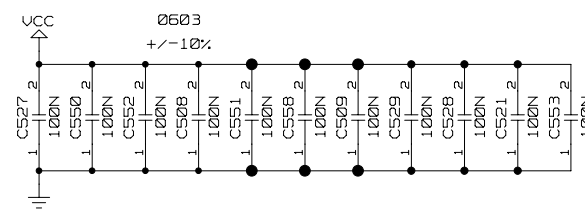
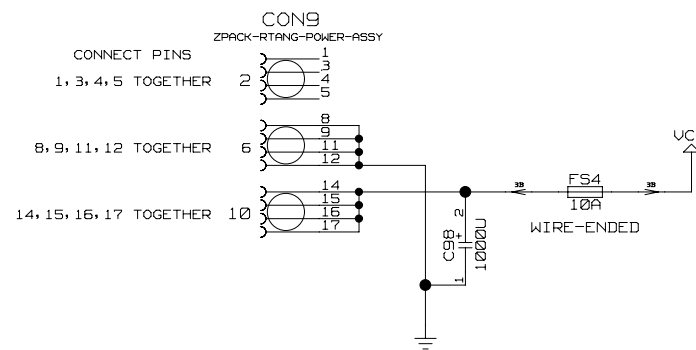
PULSE WIDTH CALCULATION
 $T = K * RT * CX$



POWER SUPPLY REGULATORS

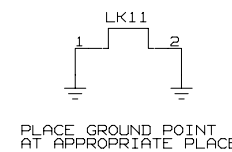
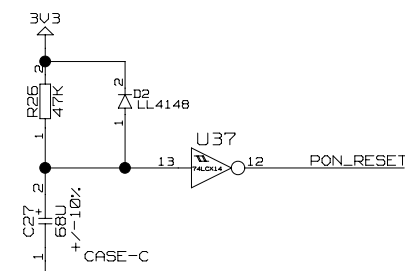


POWER CONNECTOR



DECOUPLING FOR CHIPS ON THIS SHEET

POWER-ON RESET



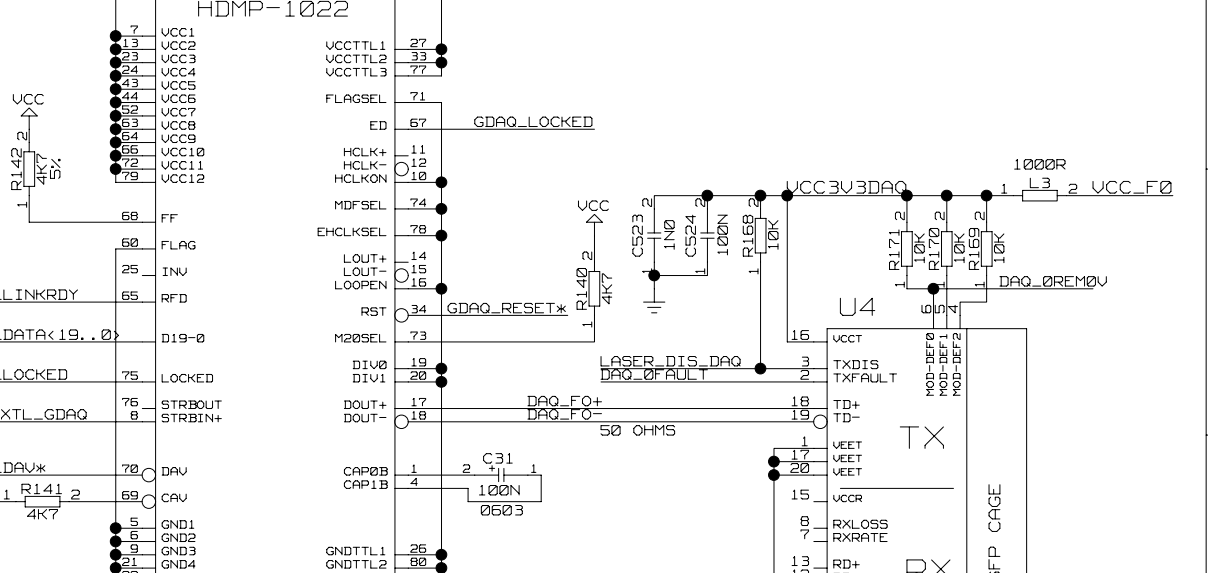
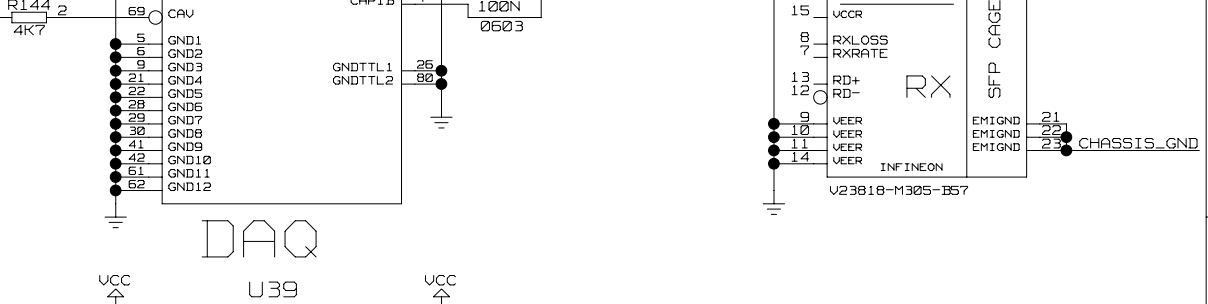
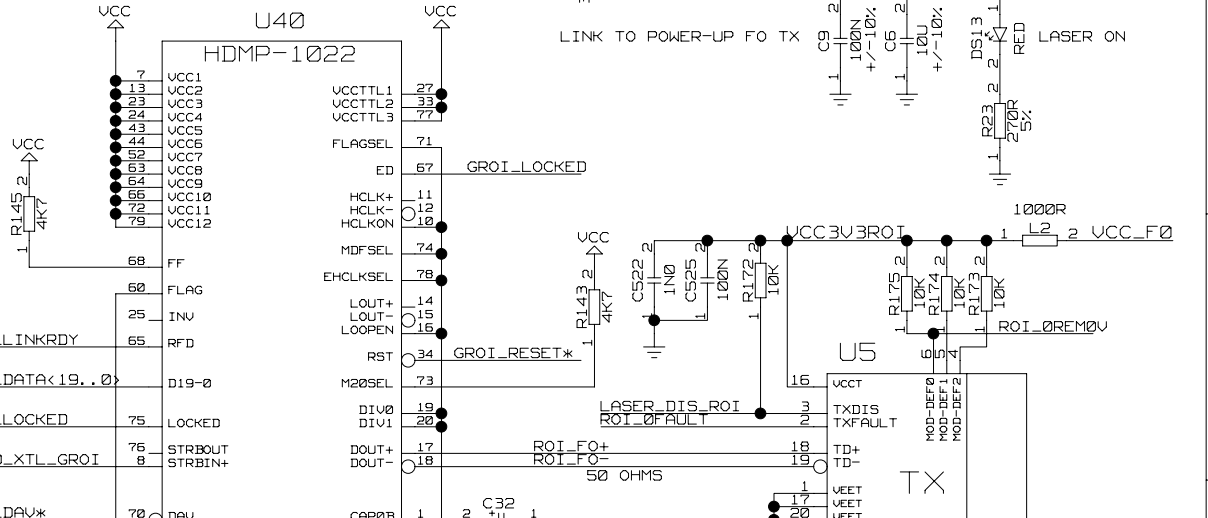
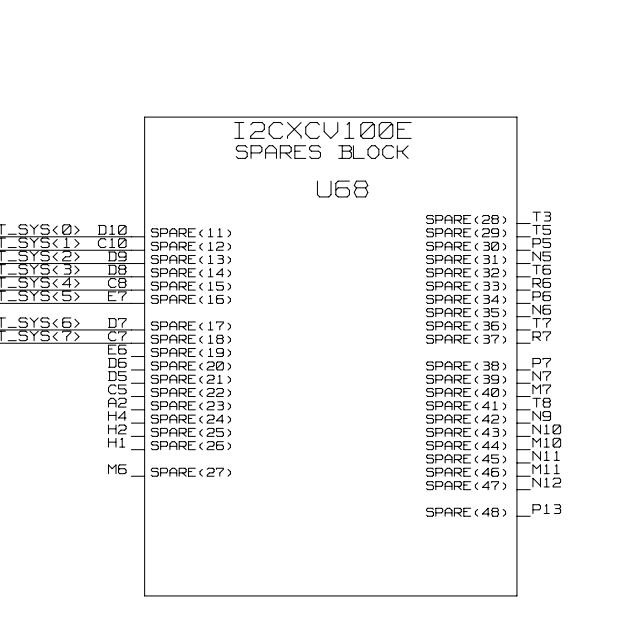
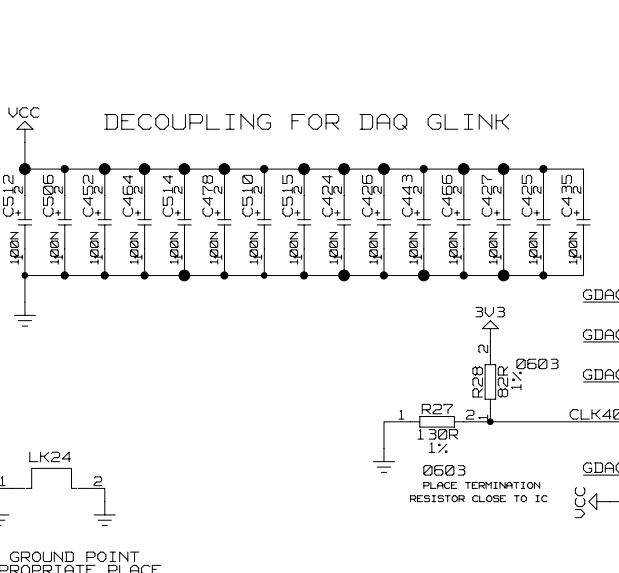
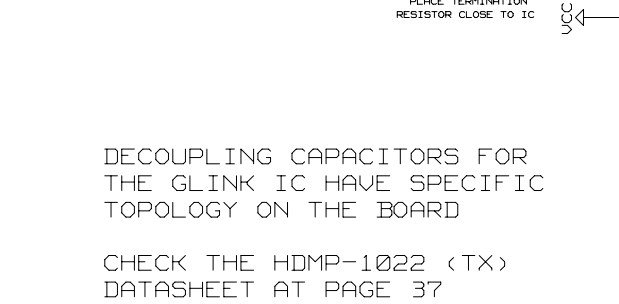
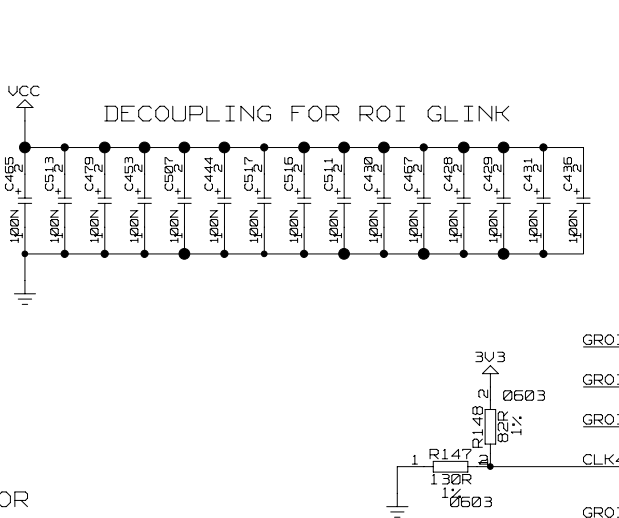
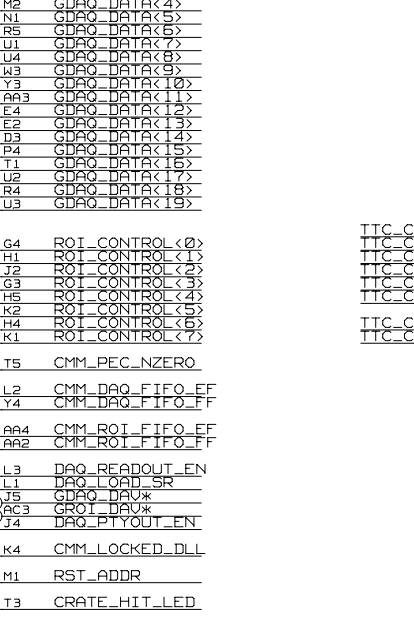
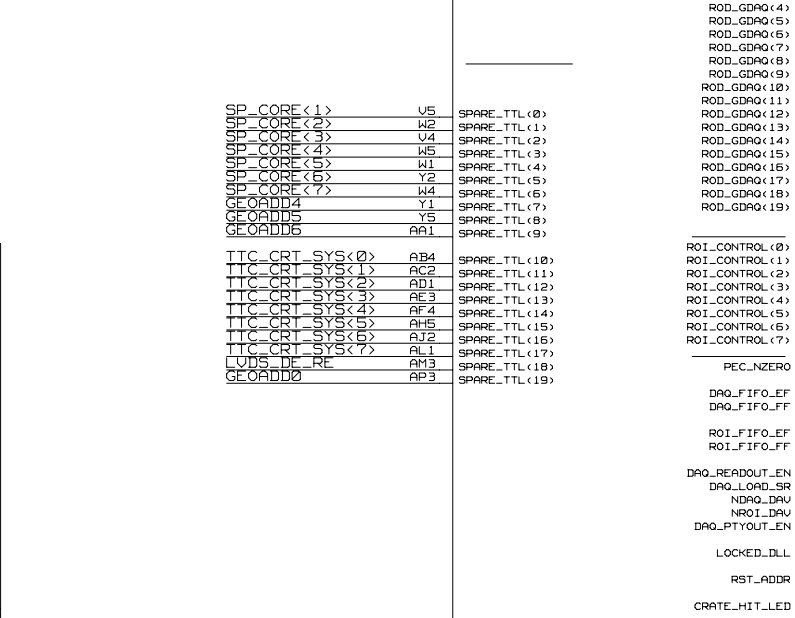
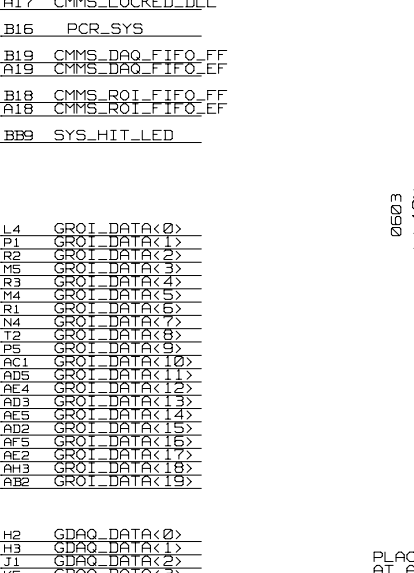
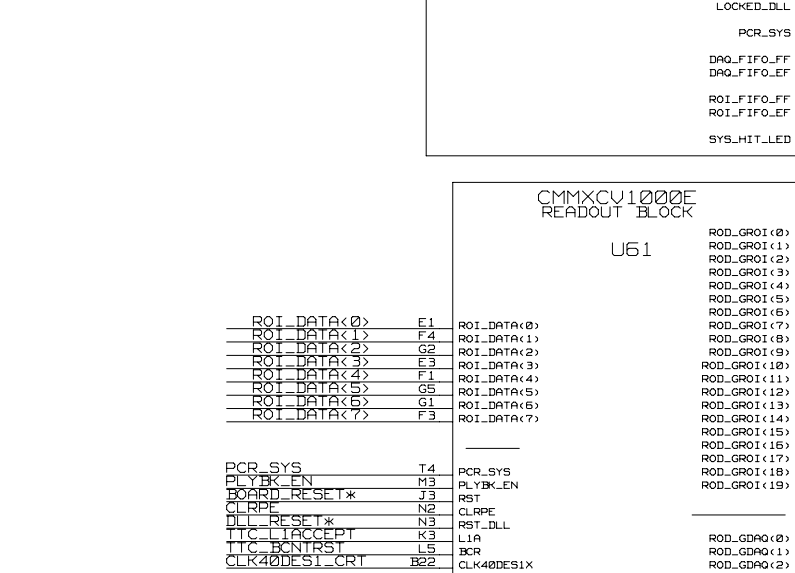
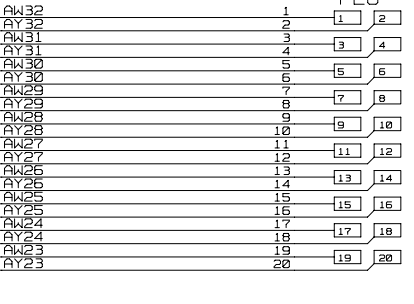
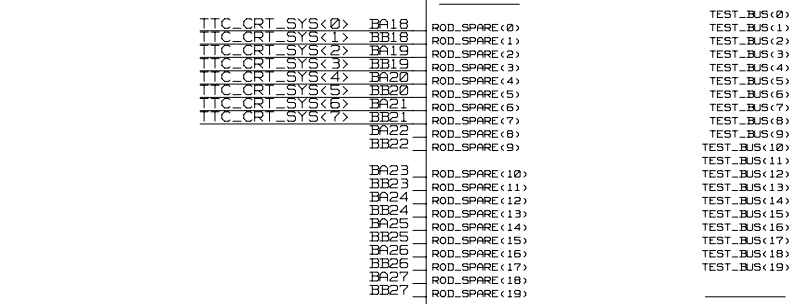
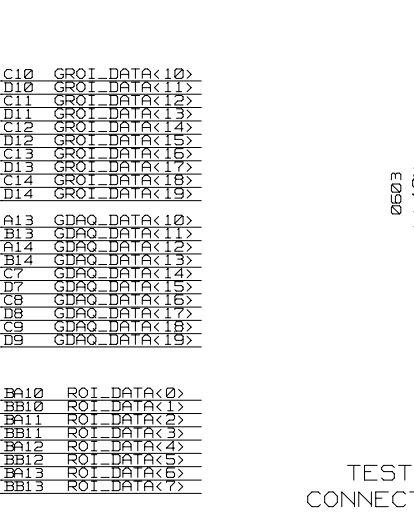
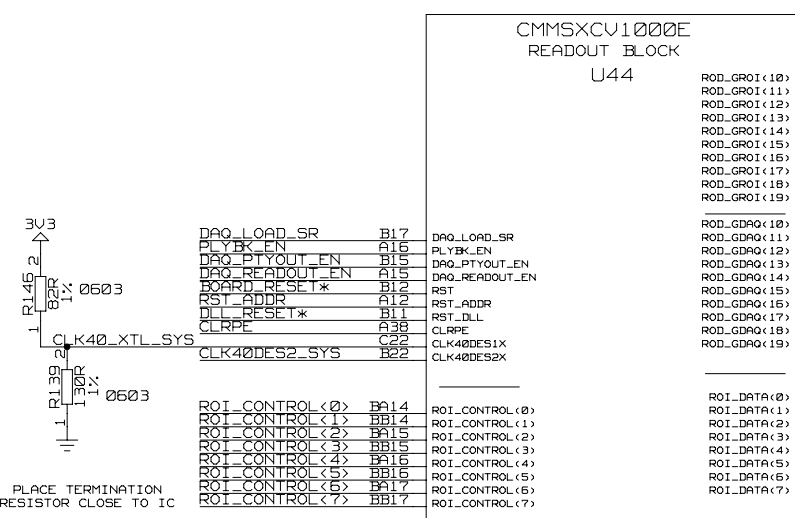
PLACE GROUND POINT AT APPROPRIATE PLACE

| | | | | | | |
|-------|------------|---------|----------------|--------------------|--------------------|--------|
| E | 20/09/2006 | TE294 | D. J. BECKETT | I. BRAUN/V. PERERA | I. BRAUN/V. PERERA | |
| D | 16/06/2006 | TE293 | D. J. BECKETT | I. BRAUN/V. PERERA | I. BRAUN/V. PERERA | |
| C | 10/12/2004 | TE258 | D. J. BECKETT | I. BRAUN/V. PERERA | I. BRAUN/V. PERERA | |
| B | 24/01/2003 | TE222 | P. APOSTOLOGLU | P. APOSTOLOGLU | P. APOSTOLOGLU | |
| A | 09/12/2002 | ----- | P. APOSTOLOGLU | P. APOSTOLOGLU | P. APOSTOLOGLU | |
| ISSUE | DATE | MOD NO. | DRN BY. | CHKD. | APPD. | STATUS |

USED ON ATLAS CALORIMETER FIRST-LEVEL TRIGGER © CCLRC 2002

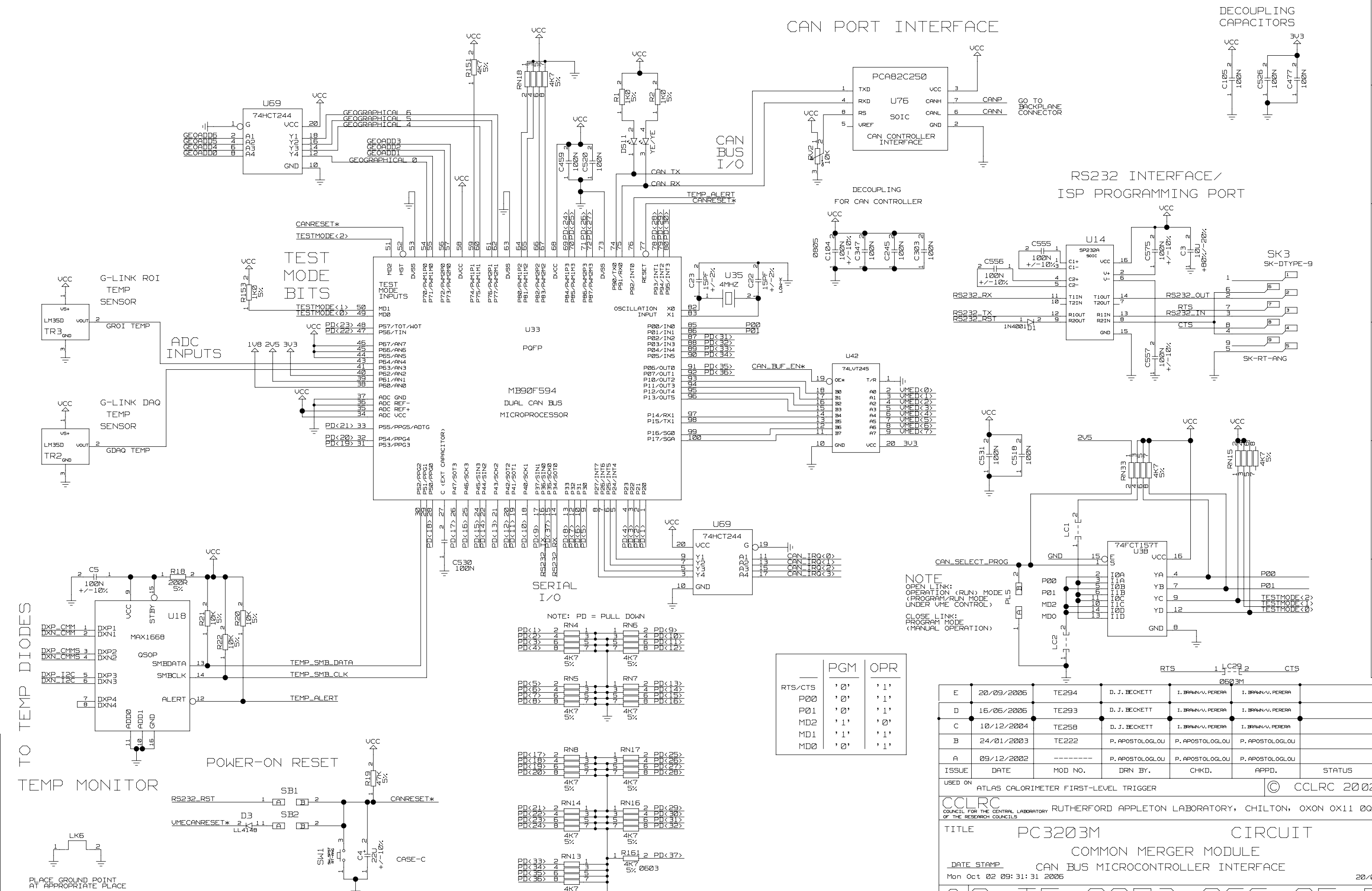
CCLRC COUNCIL FOR THE CENTRAL LABORATORY OF THE RESEARCH COUNCILS RUTHERFORD APPLETON LABORATORY, CHILTON, OXON OX11 0QX.

TITLE PC3203M CIRCUIT COMMON MERGER MODULE LEDS AND VOLTAGE REGULATORS
DATE STAMP Mon Oct 02 09:31:26 2006
20/05



| | | | | | | |
|-------|------------|---------|----------------|--------------------|--------------------|--------|
| E | 20/09/2006 | TE294 | D. J. BECKETT | I. BRAUN/V. PERERA | I. BRAUN/V. PERERA | |
| D | 16/06/2006 | TE293 | D. J. BECKETT | I. BRAUN/V. PERERA | I. BRAUN/V. PERERA | |
| C | 10/12/2004 | TE258 | D. J. BECKETT | I. BRAUN/V. PERERA | I. BRAUN/V. PERERA | |
| B | 24/01/2003 | TE222 | P. APOSTOLOGLU | P. APOSTOLOGLU | P. APOSTOLOGLU | |
| A | 09/12/2002 | ----- | P. APOSTOLOGLU | P. APOSTOLOGLU | P. APOSTOLOGLU | |
| ISSUE | DATE | MOD NO. | DRN BY. | CHKD. | APPD. | STATUS |

| | | | | | | | |
|--------------------------|--|--|----------------------|---------|--|---|--------------|
| USED ON | | | | | | ATLAS CALORIMETER FIRST-LEVEL TRIGGER | © CCLRC 2002 |
| CCLRC | | | | | | RUTHERFORD APPLETON LABORATORY, CHILTON, OXON OX11 0QX. | |
| OF THE RESEARCH COUNCILS | | | | | | | |
| TITLE | | | PC3203M | CIRCUIT | | | |
| | | | COMMON MERGER MODULE | | | | |
| DATE STAMP | | | GLINK TRANSMITTERS | | | 20/06 | |
| Mon Oct 02 09:31:29 2006 | | | | | | | |



| | PGM | OPR |
|---------|-----|-----|
| RTS/CTS | '0' | '1' |
| P00 | '0' | '1' |
| P01 | '0' | '1' |
| MD2 | '1' | '0' |
| MD1 | '1' | '1' |
| MD0 | '0' | '1' |

NOTE:
 OPEN LINK:
 OPERATION (RUN) MODE
 (PROGRAM/RUN MODE
 UNDER UME CONTROL)
 CLOSE LINK:
 PROGRAM MODE
 (MANUAL OPERATION)

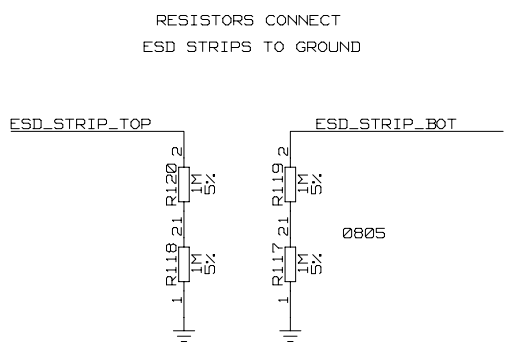
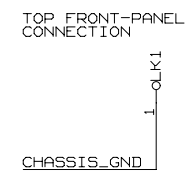
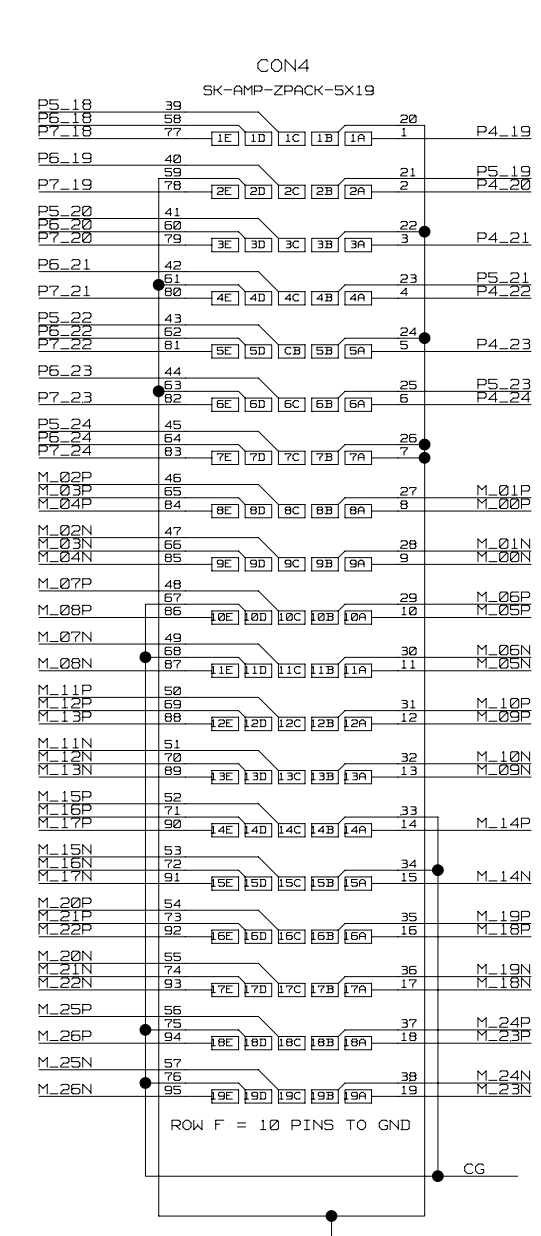
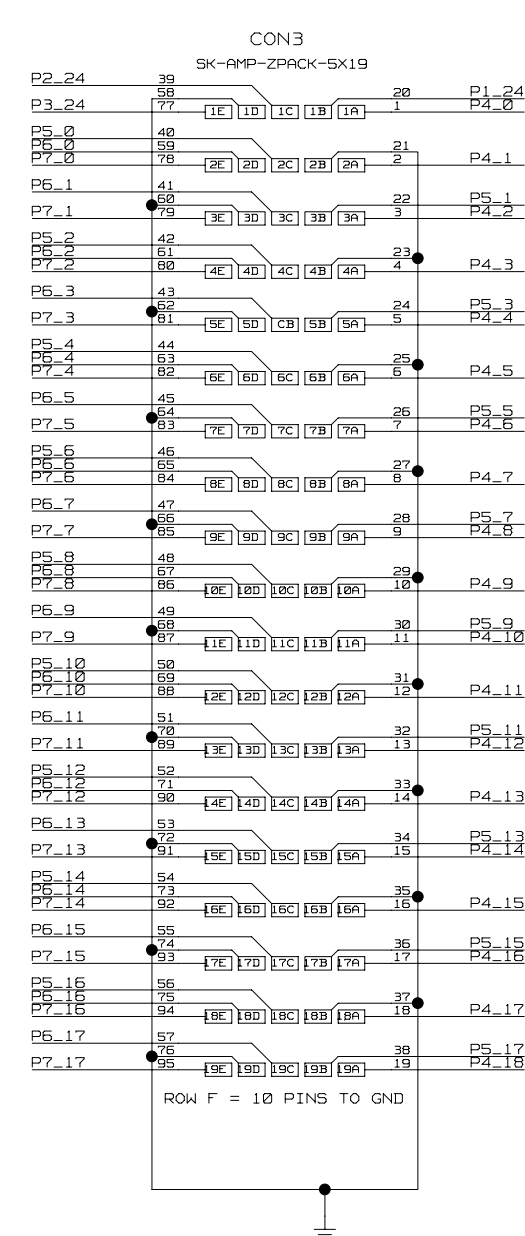
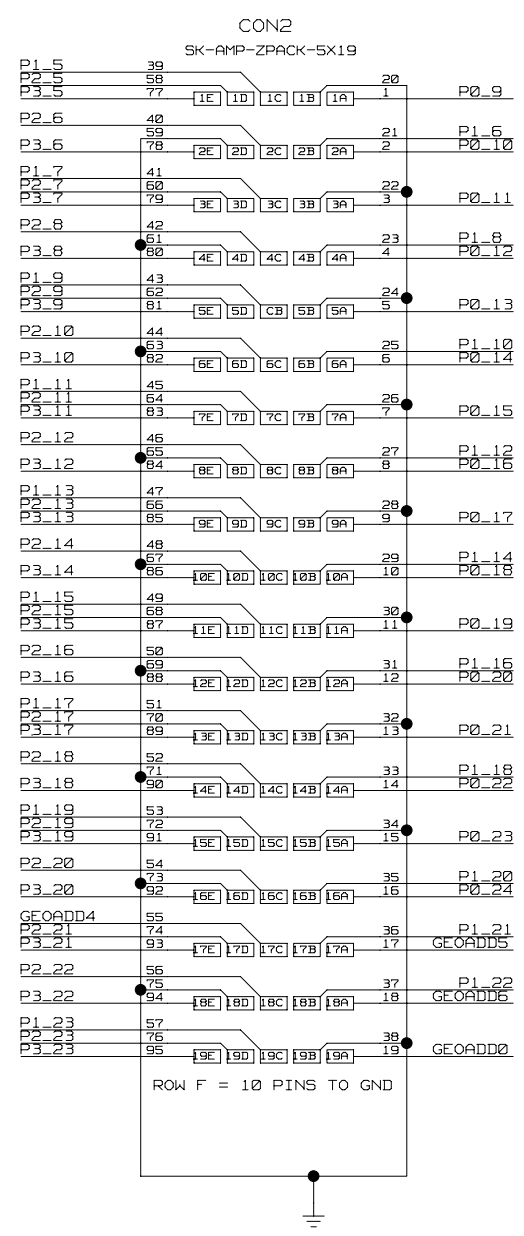
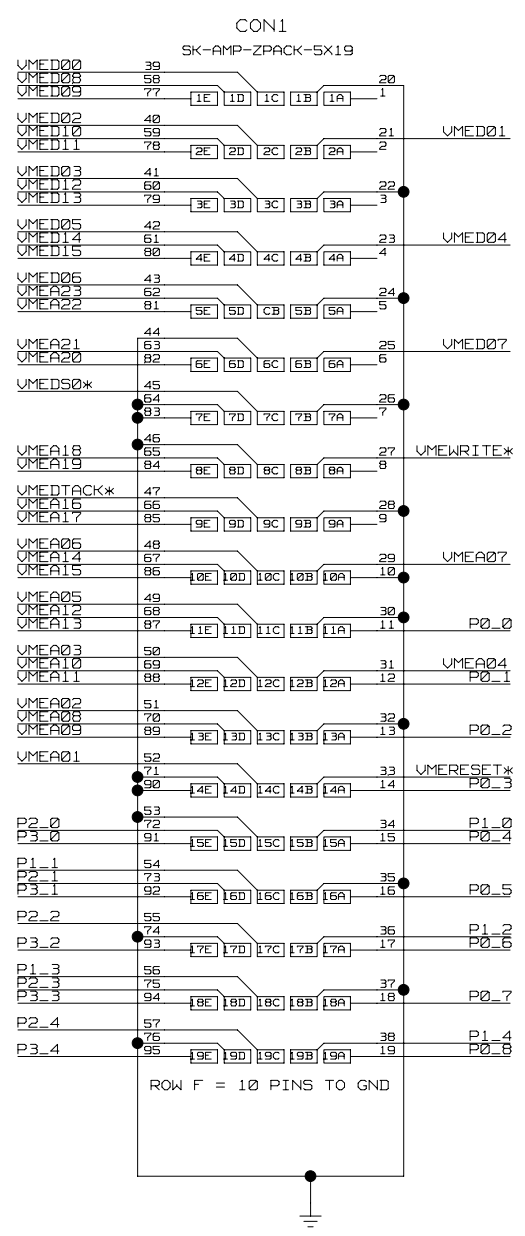
| ISSUE | DATE | MOD NO. | DRN BY. | CHKD. | APPD. | STATUS |
|-------|------------|---------|----------------|--------------------|--------------------|--------|
| E | 20/09/2006 | TE294 | D. J. BECKETT | I. BRAUN/V. PERERA | I. BRAUN/V. PERERA | |
| D | 16/06/2006 | TE293 | D. J. BECKETT | I. BRAUN/V. PERERA | I. BRAUN/V. PERERA | |
| C | 10/12/2004 | TE258 | D. J. BECKETT | I. BRAUN/V. PERERA | I. BRAUN/V. PERERA | |
| B | 24/01/2003 | TE222 | P. APOSTOLOGLU | P. APOSTOLOGLU | P. APOSTOLOGLU | |
| A | 09/12/2002 | ----- | P. APOSTOLOGLU | P. APOSTOLOGLU | P. APOSTOLOGLU | |

USED ON ATLAS CALORIMETER FIRST-LEVEL TRIGGER © CCLRC 2002

CCLRC COUNCIL FOR THE CENTRAL LABORATORY OF THE RESEARCH COUNCILS RUTHERFORD APPLETON LABORATORY, CHILTON, OXON OX11 0QX.

TITLE PC3203M CIRCUIT
 COMMON MERGER MODULE
 DATE STAMP CAN BUS MICROCONTROLLER INTERFACE
 Mon Oct 02 09:31:31 2006 20/05

DO NOT CHANGE CONNECTOR NUMBERS



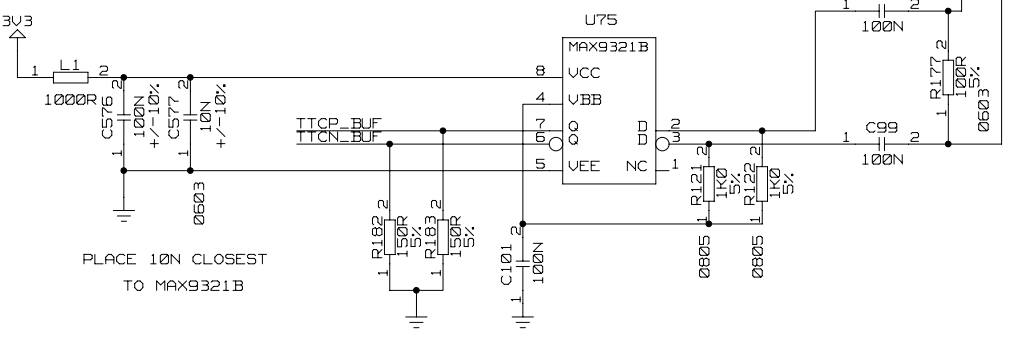
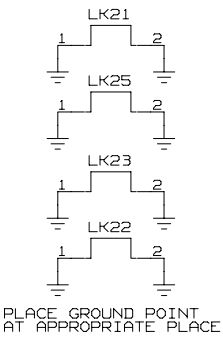
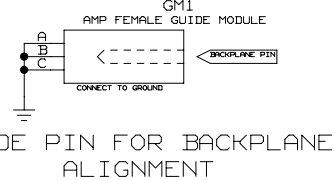
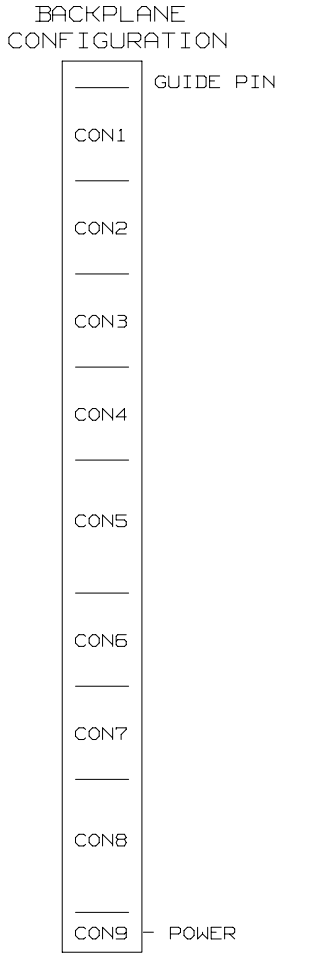
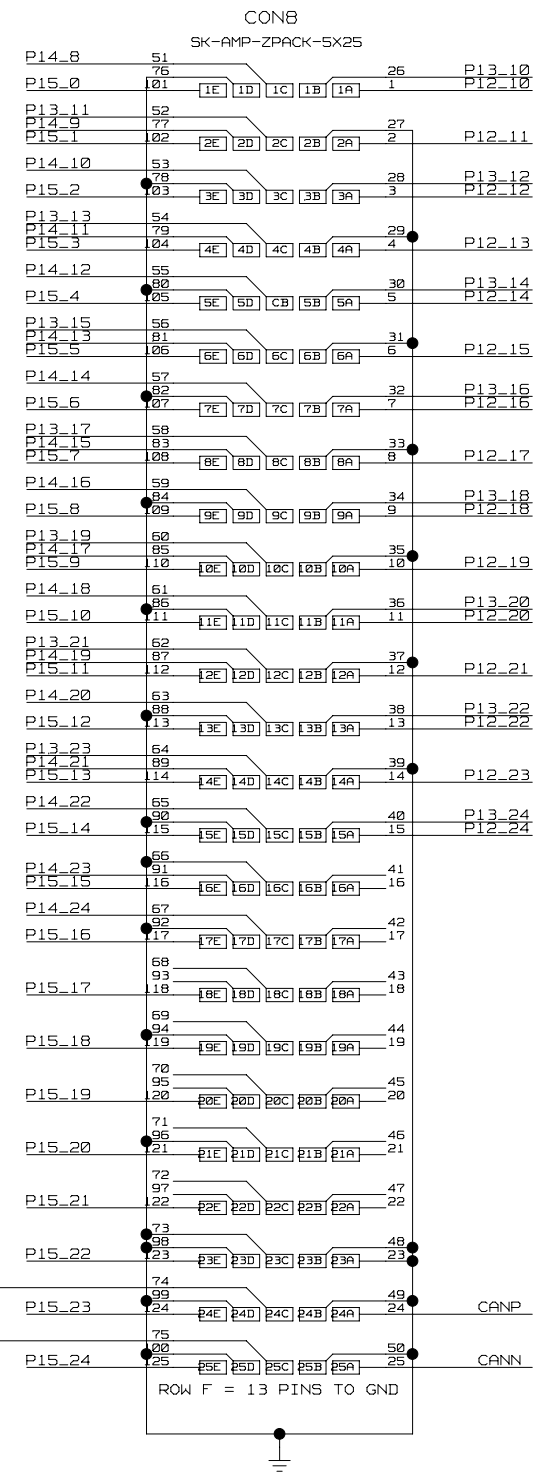
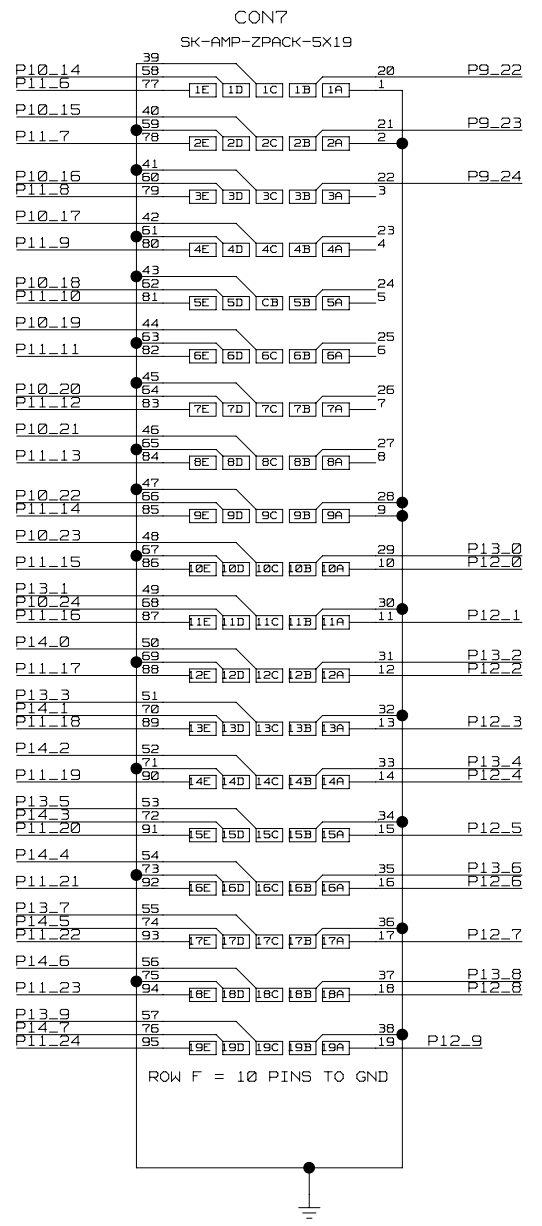
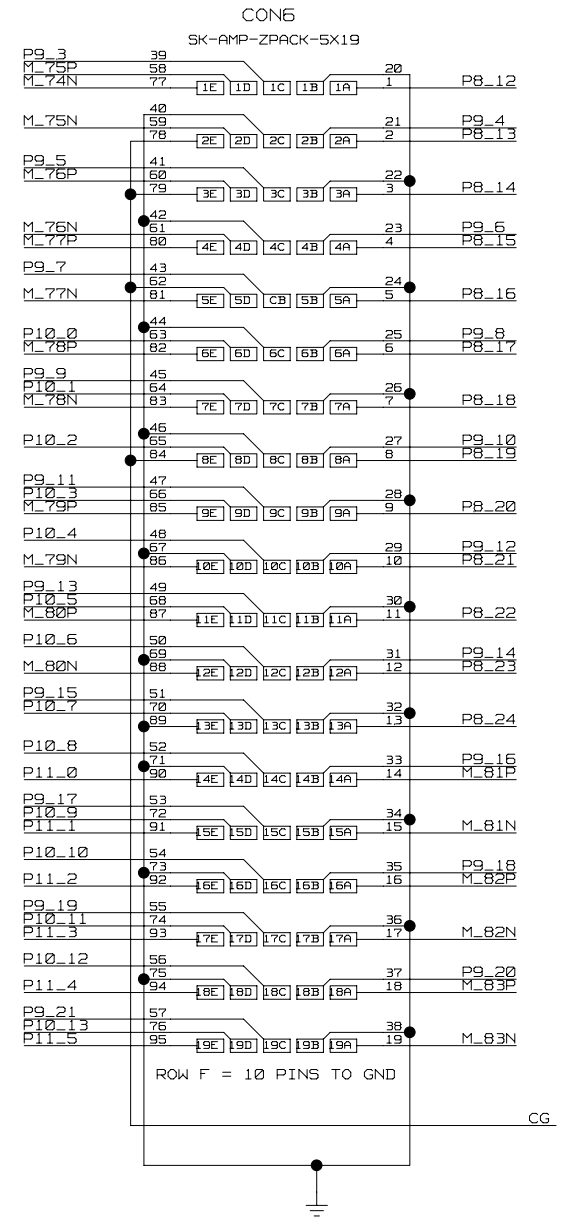
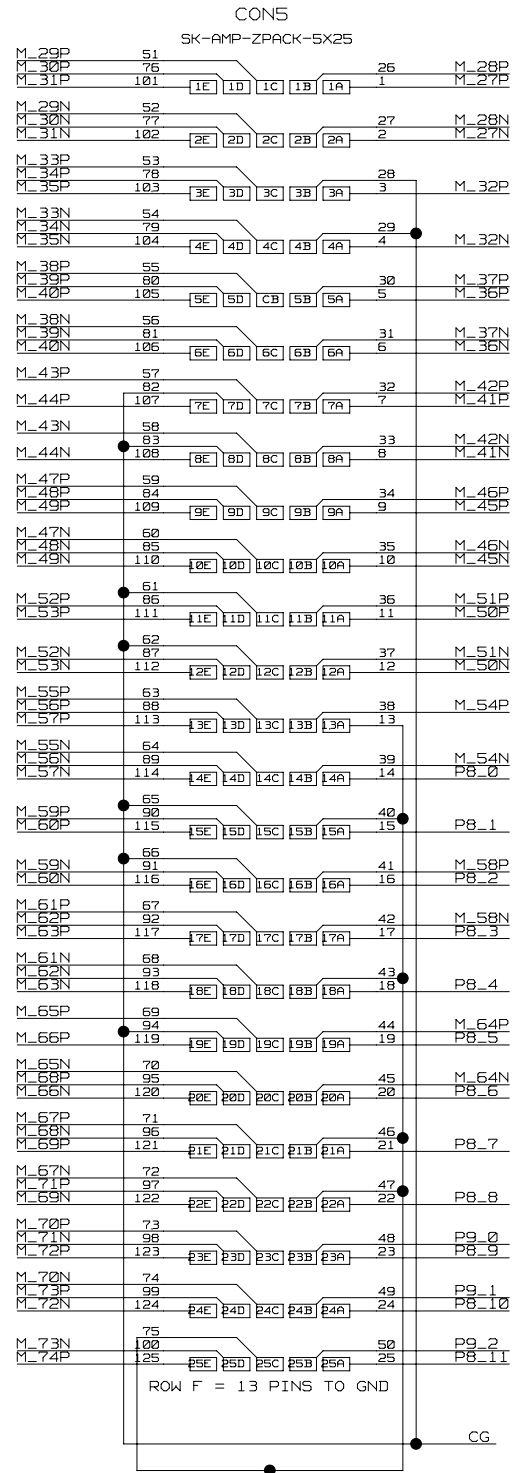
| | | | | | | |
|-------|------------|---------|----------------|--------------------|--------------------|--------|
| E | 20/09/2006 | TE294 | D. J. BECKETT | I. BRAUN/V. PERERA | I. BRAUN/V. PERERA | |
| D | 16/06/2006 | TE293 | D. J. BECKETT | I. BRAUN/V. PERERA | I. BRAUN/V. PERERA | |
| C | 10/12/2004 | TE258 | D. J. BECKETT | I. BRAUN/V. PERERA | I. BRAUN/V. PERERA | |
| B | 24/01/2003 | TE222 | P. APOSTOLOGLU | P. APOSTOLOGLU | P. APOSTOLOGLU | |
| A | 09/12/2002 | ----- | P. APOSTOLOGLU | P. APOSTOLOGLU | P. APOSTOLOGLU | |
| ISSUE | DATE | MOD NO. | DRN BY. | CHKD. | APPD. | STATUS |

USED ON ATLAS CALORIMETER FIRST-LEVEL TRIGGER © CCLRC 2002

CCLRC COUNCIL FOR THE CENTRAL LABORATORY OF THE RESEARCH COUNCILS RUTHERFORD APPLETON LABORATORY, CHILTON, OXON OX11 0QX.

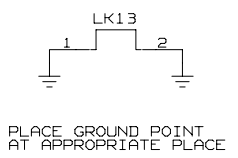
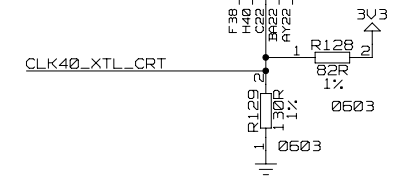
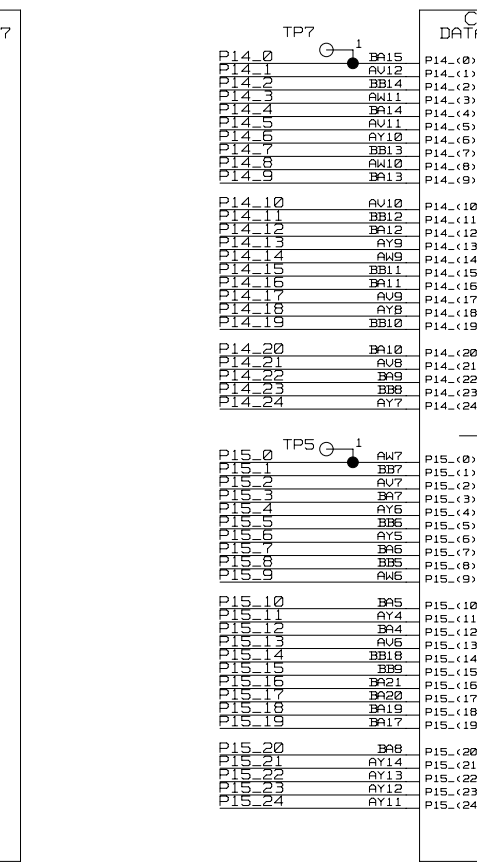
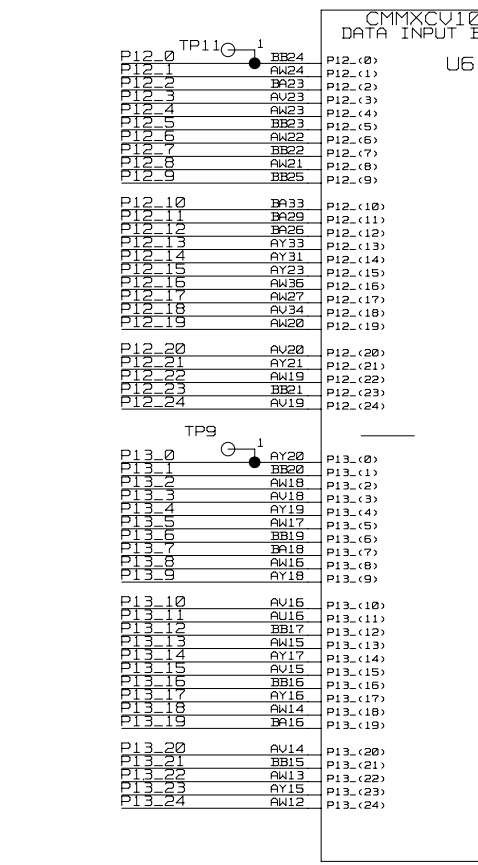
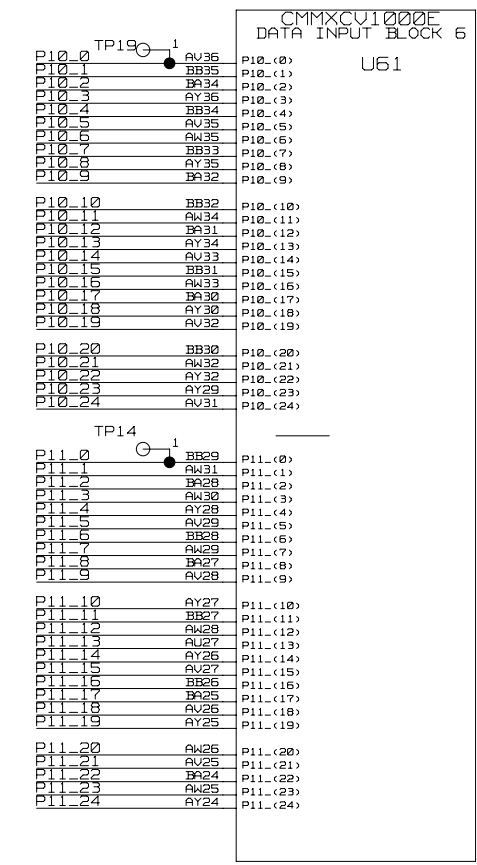
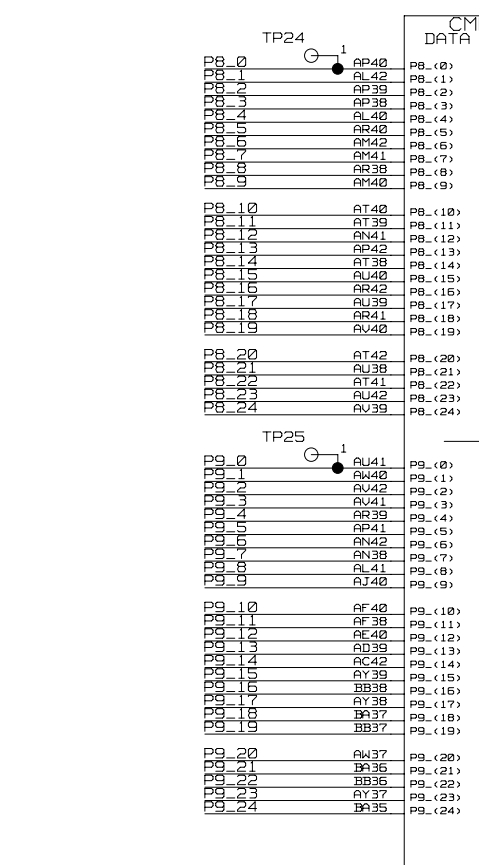
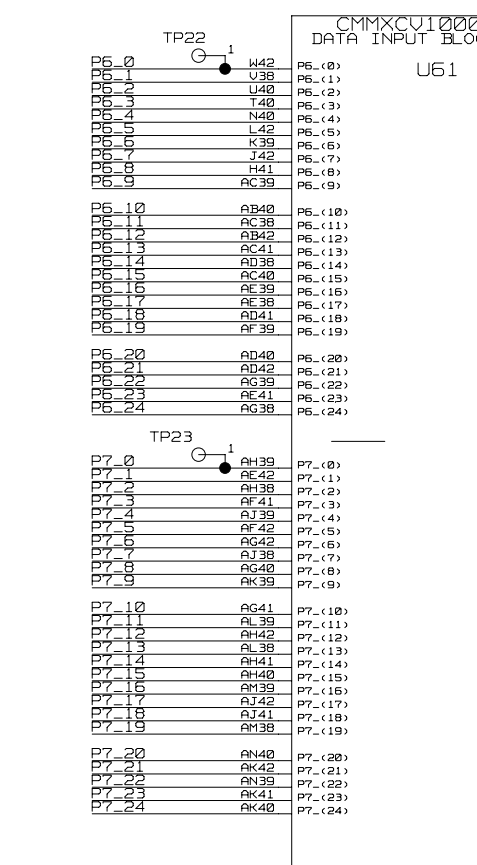
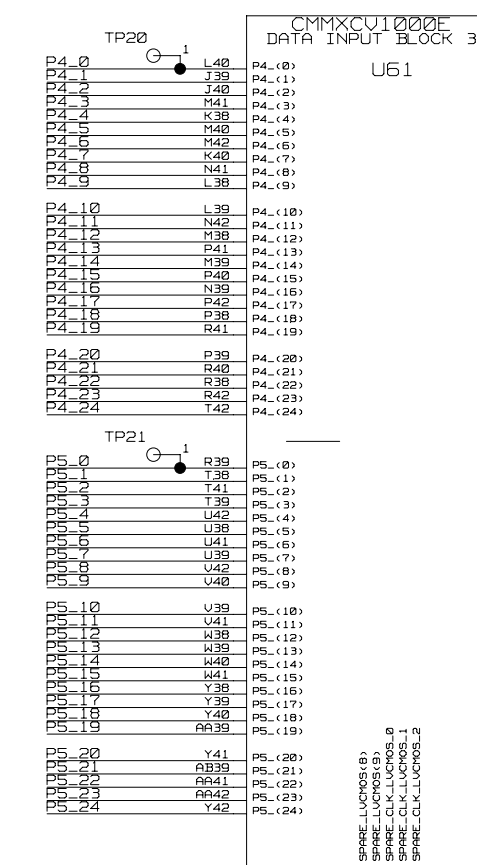
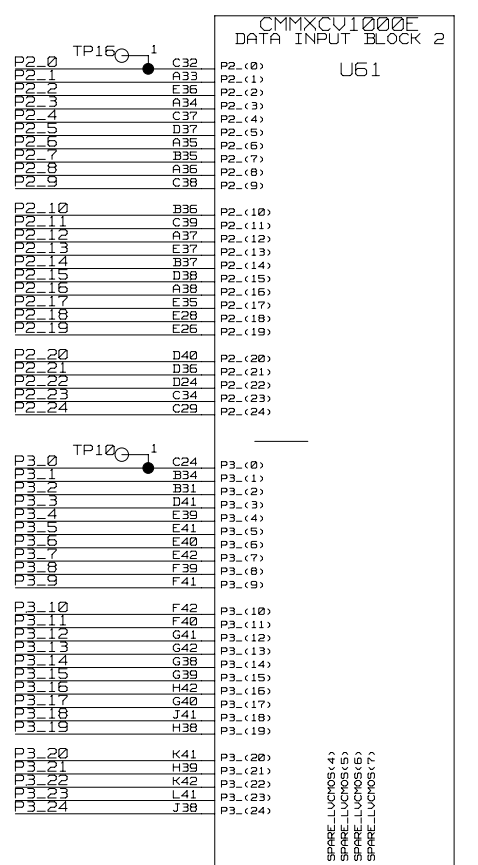
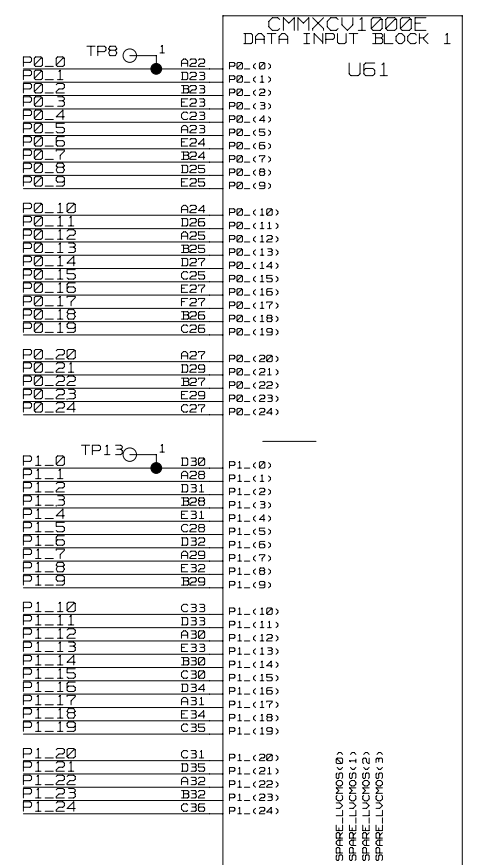
TITLE PC3203M CIRCUIT
COMMON MERGER MODULE
BACKPLANE CONNECTORS 1-4
DATE STAMP Mon Oct 02 09:31:33 2006 20/06

DO NOT CHANGE CONNECTOR NUMBERS



| | | | | | | |
|-------|------------|---------|----------------|--------------------|--------------------|--------|
| E | 20/09/2006 | TE294 | D. J. BECKETT | I. BRAUN/V. PERERA | I. BRAUN/V. PERERA | |
| D | 16/06/2006 | TE293 | D. J. BECKETT | I. BRAUN/V. PERERA | I. BRAUN/V. PERERA | |
| C | 10/12/2004 | TE258 | D. J. BECKETT | I. BRAUN/V. PERERA | I. BRAUN/V. PERERA | |
| B | 24/01/2003 | TE222 | P. APOSTOLOGLU | P. APOSTOLOGLU | P. APOSTOLOGLU | |
| A | 09/12/2002 | ----- | P. APOSTOLOGLU | P. APOSTOLOGLU | P. APOSTOLOGLU | |
| ISSUE | DATE | MOD NO. | DRN BY. | CHKD. | APPD. | STATUS |

USED ON ATLAS CALORIMETER FIRST-LEVEL TRIGGER © CCLRC 2002
 CCLRC COUNCIL FOR THE CENTRAL LABORATORY OF THE RESEARCH COUNCILS RUTHERFORD APPLETON LABORATORY, CHILTON, OXON OX11 0QX.
 TITLE PC3203M CIRCUIT
 COMMON MERGER MODULE
 DATE STAMP Mon Oct 02 09:31:34 2006 BACKPLANE CONNECTOR 5-8 20/06



TEST POINTS MUST BE PLACED AS CLOSE AS POSSIBLE TO THE IC

| | | | | | | |
|-------|------------|---------|----------------|--------------------|--------------------|--------|
| E | 20/09/2006 | TE294 | D. J. BECKETT | I. BRAUN/V. PERERA | I. BRAUN/V. PERERA | |
| D | 16/05/2006 | TE293 | D. J. BECKETT | I. BRAUN/V. PERERA | I. BRAUN/V. PERERA | |
| C | 10/12/2004 | TE258 | D. J. BECKETT | I. BRAUN/V. PERERA | I. BRAUN/V. PERERA | |
| B | 24/01/2003 | TE222 | P. APOSTOLOGLU | P. APOSTOLOGLU | P. APOSTOLOGLU | |
| A | 09/12/2002 | ----- | P. APOSTOLOGLU | P. APOSTOLOGLU | P. APOSTOLOGLU | |
| ISSUE | DATE | MOD NO. | DRN BY. | CHKD. | APPD. | STATUS |

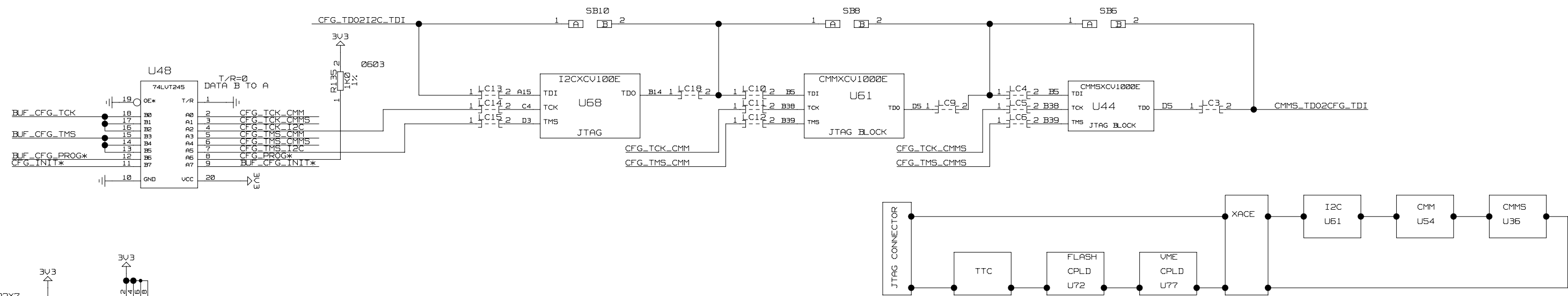
USED ON ATLAS CALORIMETER FIRST-LEVEL TRIGGER © CCLRC 2002

CCLRC COUNCIL FOR THE CENTRAL LABORATORY RUTHERFORD APPLETON LABORATORY, CHILTON, OXON OX11 0QX.

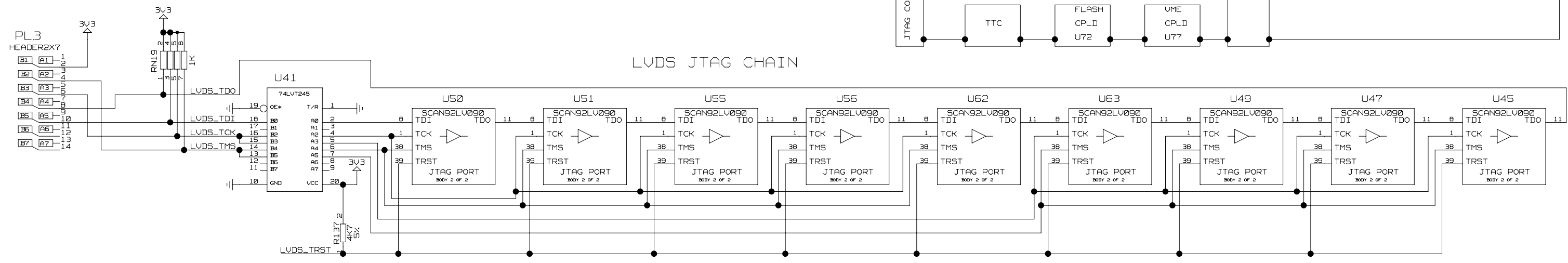
TITLE PC3203M CIRCUIT COMMON MERGER MODULE BACKPLANE INPUTS (16X25 BITS)

DATE STAMP Mon Oct 02 09:31:38 2006

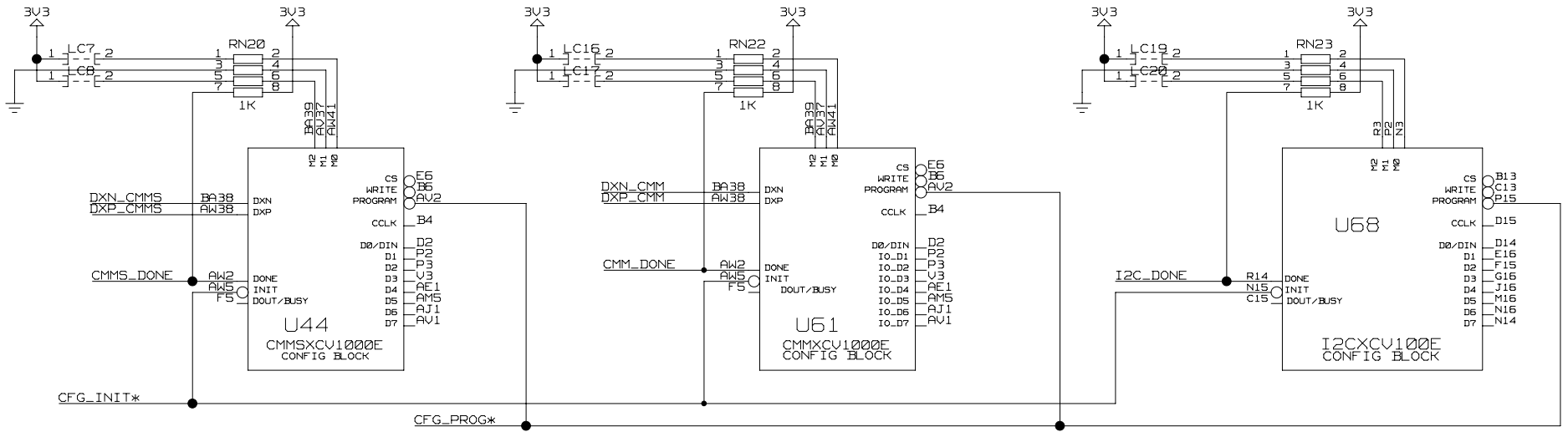
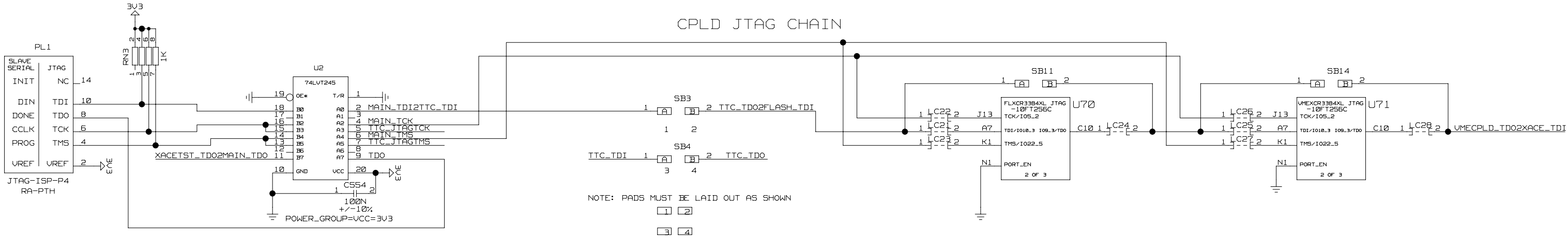
FPGA JTAG CHAIN



LVDS JTAG CHAIN



CPLD JTAG CHAIN



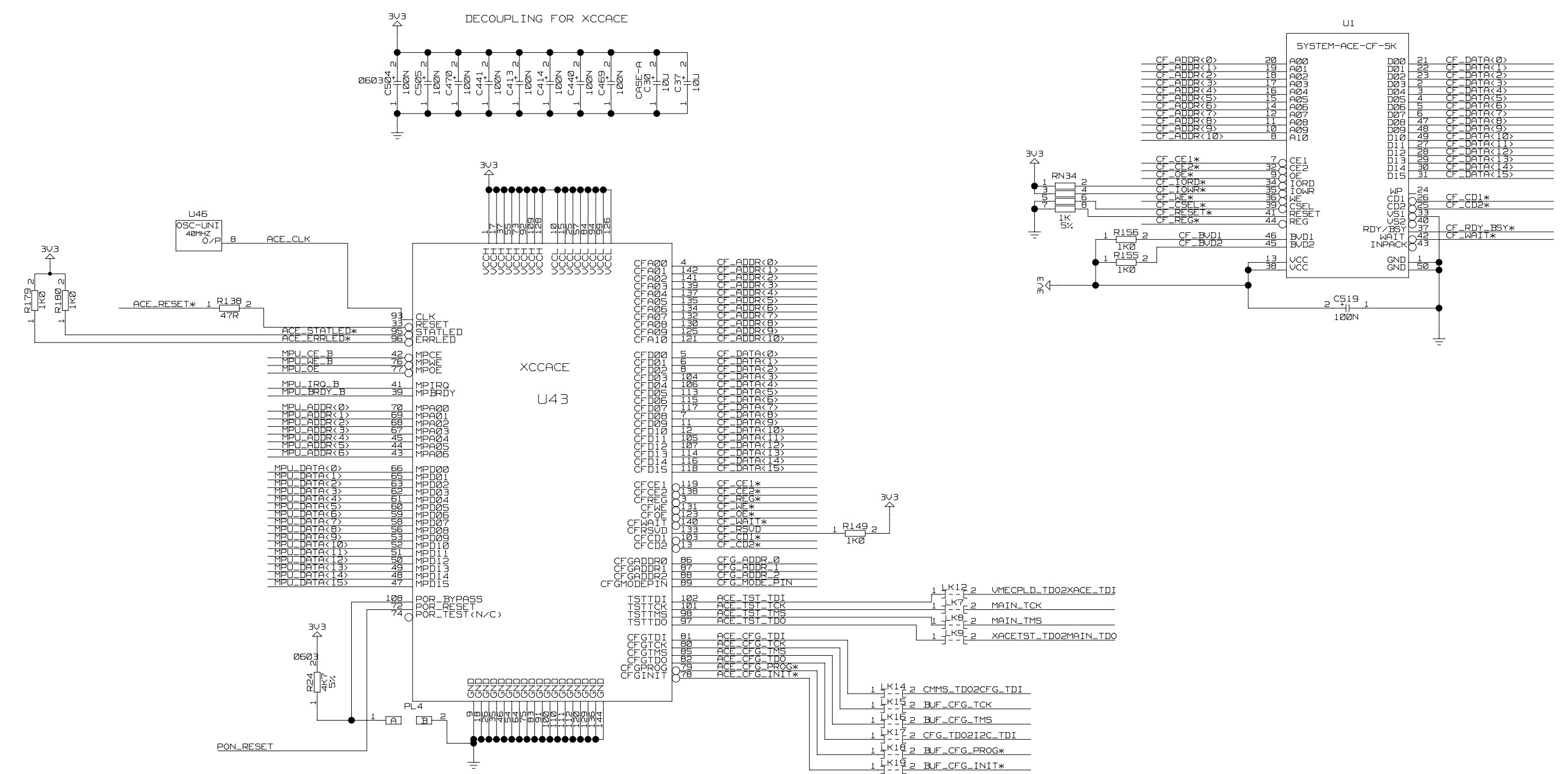
| ISSUE | DATE | MOD NO. | DRN BY. | CHKD. | APPD. | STATUS |
|-------|------------|---------|----------------|--------------------|--------------------|--------|
| E | 20/09/2006 | TE294 | D. J. BECKETT | I. BRAUN/V. PERERA | I. BRAUN/V. PERERA | |
| D | 16/06/2006 | TE293 | D. J. BECKETT | I. BRAUN/V. PERERA | I. BRAUN/V. PERERA | |
| C | 10/12/2004 | TE258 | D. J. BECKETT | I. BRAUN/V. PERERA | I. BRAUN/V. PERERA | |
| B | 24/01/2003 | TE222 | P. APOSTOLOGLU | P. APOSTOLOGLU | P. APOSTOLOGLU | |
| A | 09/12/2002 | ----- | P. APOSTOLOGLU | P. APOSTOLOGLU | P. APOSTOLOGLU | |

USED ON ATLAS CALORIMETER FIRST-LEVEL TRIGGER © CCLRC 2002

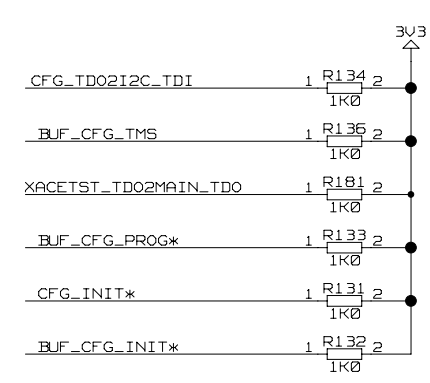
CCLRC COUNCIL FOR THE CENTRAL LABORATORY OF THE RESEARCH COUNCILS RUTHERFORD APPLETON LABORATORY, CHILTON, OXON OX11 0QX.

TITLE PC3203M CIRCUIT
COMMON MERGER MODULE
DATE STAMP JTAG PORTS AND CONFIGURATION FOR I2C FPGA
Mon Oct 02 09:31:36 2006 20/06

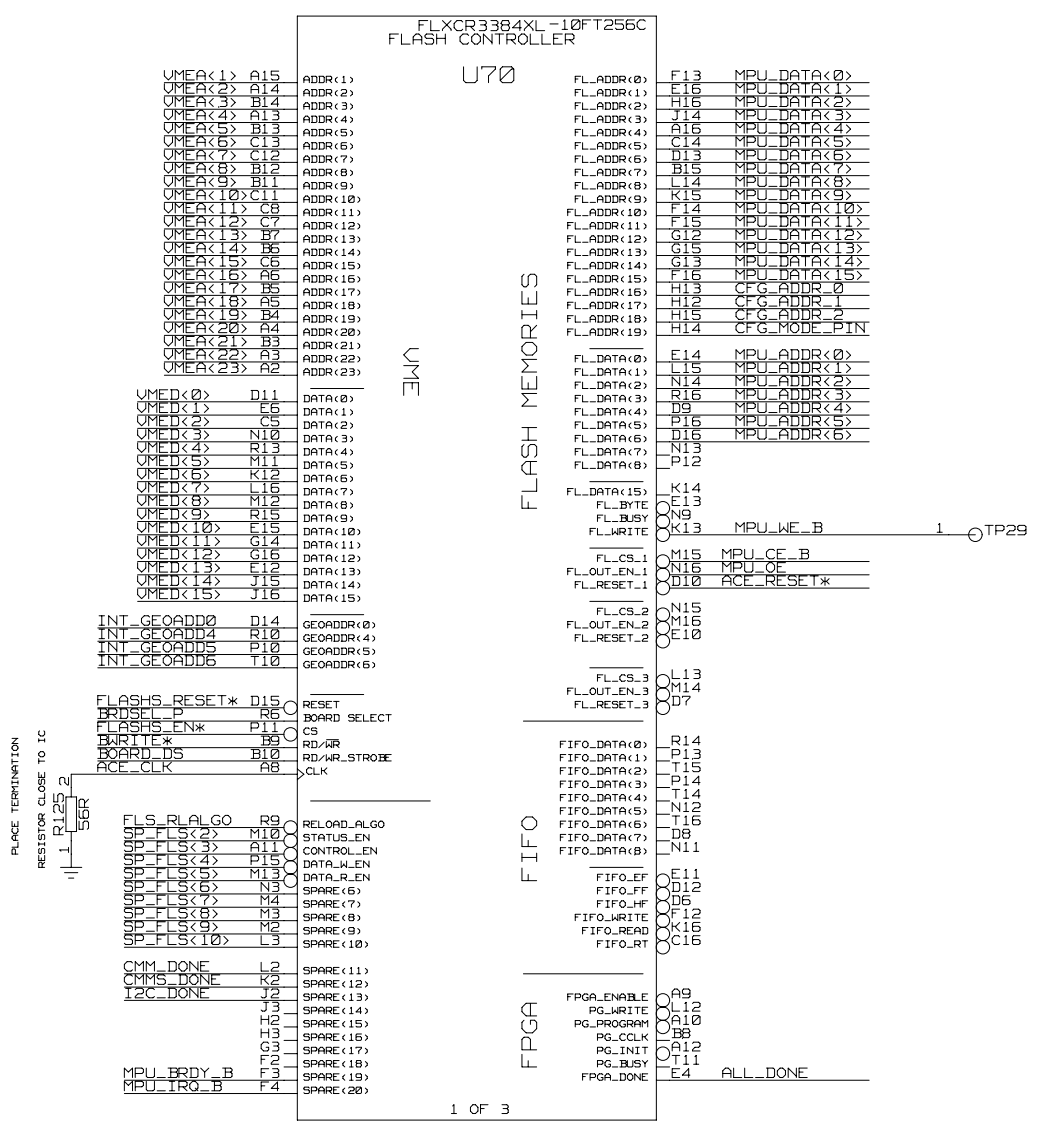
NOTE:
LEAVE SPACE FOR
INSERTION/EXTRACTION
CLIP FOR THE CF SOCKET
(MIGHT NEED EXTRA HOLES)



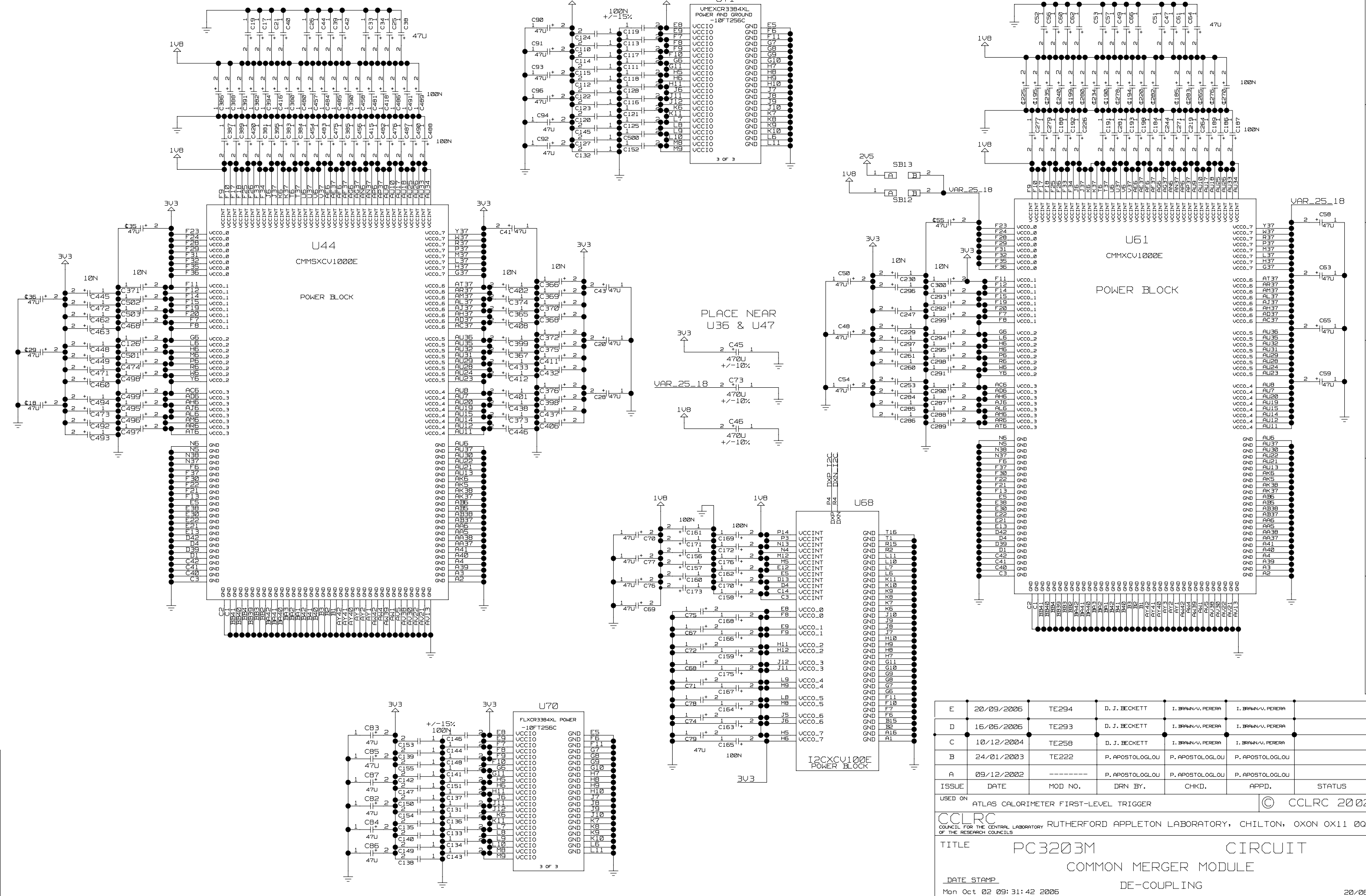
NOTE:
ACE_POR_RESET AND ACE_POR_BYPASS
RESET THE COMPLETE XACE DEVICE.
(NEEDS A MIN PULSE OF 1USEC)
ACE_RESET RESETS ONLY THE
INTERNAL STATE MACHICE OF XACE.
(NEEDS MIN 3 CLOCK CYCLE PULSE)



| | | | | | | |
|---|------------|---------|----------------------|--------------------|--------------------|--------|
| E | 20/09/2006 | TE294 | D. J. BECKETT | I. BRAUN/V. PERERA | I. BRAUN/V. PERERA | |
| D | 16/06/2006 | TE293 | D. J. BECKETT | I. BRAUN/V. PERERA | I. BRAUN/V. PERERA | |
| C | 10/12/2004 | TE258 | D. J. BECKETT | I. BRAUN/V. PERERA | I. BRAUN/V. PERERA | |
| B | 24/01/2003 | TE222 | P. APOSTOLOGLLOU | P. APOSTOLOGLLOU | P. APOSTOLOGLLOU | |
| A | 09/12/2002 | ----- | P. APOSTOLOGLLOU | P. APOSTOLOGLLOU | P. APOSTOLOGLLOU | |
| ISSUE | DATE | MOD NO. | DRN BY. | CHKD. | APPD. | STATUS |
| USED ON ATLAS CALORIMETER FIRST-LEVEL TRIGGER | | | | | | |
| © CCLRC 2002 | | | | | | |
| CCLRC COUNCIL FOR THE CENTRAL LABORATORY OF THE RESEARCH COUNCILS RUTHERFORD APPLETON LABORATORY, CHILTON, OXON OX11 0QX. | | | | | | |
| TITLE | | | CIRCUIT | | | |
| PC3203M | | | COMMON MERGER MODULE | | | |
| SYSTEM ACE AND COMPACT FLASH | | | | | | |
| DATE STAMP | | | | | | |
| Mon Oct 02 09:31:20 2006 | | | | | | |
| A2-TE-0073-066-10-E | | | | | | |
| TOTAL NO. OF SHEETS 16 | | | | | | |



| | | | | | | |
|---|------------|---------|----------------|--------------------|--------------------|--------|
| E | 20/09/2006 | TE294 | D. J. BECKETT | I. BRAUN/V. PERERA | I. BRAUN/V. PERERA | |
| D | 16/06/2006 | TE293 | D. J. BECKETT | I. BRAUN/V. PERERA | I. BRAUN/V. PERERA | |
| C | 10/12/2004 | TE258 | D. J. BECKETT | I. BRAUN/V. PERERA | I. BRAUN/V. PERERA | |
| B | 24/01/2003 | TE222 | P. APOSTOLOGLU | P. APOSTOLOGLU | P. APOSTOLOGLU | |
| A | 09/12/2002 | ----- | P. APOSTOLOGLU | P. APOSTOLOGLU | P. APOSTOLOGLU | |
| ISSUE | DATE | MOD NO. | DRN BY. | CHKD. | APPD. | STATUS |
| USED ON ATLAS CALORIMETER FIRST-LEVEL TRIGGER | | | | | | |
| © CCLRC 2002 | | | | | | |
| CCLRC COUNCIL FOR THE CENTRAL LABORATORY OF THE RESEARCH COUNCILS RUTHERFORD APPLETON LABORATORY, CHILTON, OXON OX11 0QX. | | | | | | |
| TITLE PC3203M CIRCUIT | | | | | | |
| COMMON MERGER MODULE | | | | | | |
| DATE STAMP FPGA CONFIGURATION FOR SERVICE VIA FLASH | | | | | | |
| Mon Oct 02 09:31:39 2006 20/06 | | | | | | |
| A2-TE-0073-066-11-E | | | | | | |
| TOTAL NO. OF SHEETS 16 | | | | | | |



| | | | | | | |
|-------|------------|---------|----------------|--------------------|--------------------|--------|
| E | 20/09/2006 | TE294 | D. J. BECKETT | I. BRAUN/V. PERERA | I. BRAUN/V. PERERA | |
| D | 16/06/2006 | TE293 | D. J. BECKETT | I. BRAUN/V. PERERA | I. BRAUN/V. PERERA | |
| C | 10/12/2004 | TE258 | D. J. BECKETT | I. BRAUN/V. PERERA | I. BRAUN/V. PERERA | |
| B | 24/01/2003 | TE222 | P. APOSTOLOGLU | P. APOSTOLOGLU | P. APOSTOLOGLU | |
| A | 09/12/2002 | ----- | P. APOSTOLOGLU | P. APOSTOLOGLU | P. APOSTOLOGLU | |
| ISSUE | DATE | MOD NO. | DRN BY. | CHKD. | APPD. | STATUS |

USED ON ATLAS CALORIMETER FIRST-LEVEL TRIGGER © CCLRC 2002

CCLRC COUNCIL FOR THE CENTRAL LABORATORY RUTHERFORD APPLETON LABORATORY, CHILTON, OXON OX11 0QX. OF THE RESEARCH COUNCILS

TITLE PC3203M CIRCUIT COMMON MERGER MODULE

DATE STAMP Mon Oct 02 09:31:42 2006 DE-COUPLING 20/06

U61
 CMMXCUI000E
 DATA OUTPUT BLOCK

| | | | |
|-------------|--------------|-------------|-------------|
| D.LCL0 B17 | DOUT.LCL(0) | DOUT.CB(0) | AW3 D.CB 0 |
| D.LCL1 D14 | DOUT.LCL(1) | DOUT.CB(1) | AW2 D.CB 1 |
| D.LCL2 E14 | DOUT.LCL(2) | DOUT.CB(2) | AW1 D.CB 2 |
| D.LCL3 E14 | DOUT.LCL(3) | DOUT.CB(3) | AW1 D.CB 3 |
| D.LCL4 C16 | DOUT.LCL(4) | DOUT.CB(4) | AT2 D.CB 4 |
| D.LCL5 D13 | DOUT.LCL(5) | DOUT.CB(5) | AW4 D.CB 5 |
| D.LCL6 B16 | DOUT.LCL(6) | DOUT.CB(6) | AW1 D.CB 6 |
| D.LCL7 D12 | DOUT.LCL(7) | DOUT.CB(7) | AW2 D.CB 7 |
| D.LCL8 A15 | DOUT.LCL(8) | DOUT.CB(8) | AW3 D.CB 8 |
| D.LCL9 E12 | DOUT.LCL(9) | DOUT.CB(9) | AW1 D.CB 9 |
| D.LCL10 C15 | DOUT.LCL(10) | DOUT.CB(10) | AW2 D.CB 10 |
| D.LCL11 C11 | DOUT.LCL(11) | DOUT.CB(11) | AW1 D.CB 11 |
| D.LCL12 B15 | DOUT.LCL(12) | DOUT.CB(12) | AW2 D.CB 12 |
| D.LCL13 D11 | DOUT.LCL(13) | DOUT.CB(13) | AW3 D.CB 13 |
| D.LCL14 E11 | DOUT.LCL(14) | DOUT.CB(14) | AW1 D.CB 14 |
| D.LCL15 C10 | DOUT.LCL(15) | DOUT.CB(15) | AW1 D.CB 15 |
| D.LCL16 B14 | DOUT.LCL(16) | DOUT.CB(16) | AT4 D.CB 16 |
| D.LCL17 A13 | DOUT.LCL(17) | DOUT.CB(17) | AW2 D.CB 17 |
| D.LCL18 E10 | DOUT.LCL(18) | DOUT.CB(18) | AW3 D.CB 18 |
| D.LCL19 C13 | DOUT.LCL(19) | DOUT.CB(19) | AW1 D.CB 19 |
| D.LCL20 C9 | DOUT.LCL(20) | DOUT.CB(20) | AL3 D.CB 20 |
| D.LCL21 D9 | DOUT.LCL(21) | DOUT.CB(21) | AR4 D.CB 21 |
| D.LCL22 A12 | DOUT.LCL(22) | DOUT.CB(22) | AL2 D.CB 22 |
| D.LCL23 E9 | DOUT.LCL(23) | DOUT.CB(23) | AR3 D.CB 23 |
| D.LCL24 C12 | DOUT.LCL(24) | DOUT.CB(24) | AP5 D.CB 24 |
| D.LCL25 B12 | DOUT.LCL(25) | DOUT.CB(25) | AK3 D.CB 25 |
| D.LCL26 D8 | DOUT.LCL(26) | DOUT.CB(26) | AP4 D.CB 26 |
| D.LCL27 A11 | DOUT.LCL(27) | DOUT.CB(27) | AK2 D.CB 27 |
| D.LCL28 E8 | DOUT.LCL(28) | DOUT.CB(28) | AK1 D.CB 28 |
| D.LCL29 C7 | DOUT.LCL(29) | DOUT.CB(29) | AN5 D.CB 29 |
| D.LCL30 A10 | DOUT.LCL(30) | DOUT.CB(30) | AJ3 D.CB 30 |
| D.LCL31 C5 | DOUT.LCL(31) | DOUT.CB(31) | AR4 D.CB 31 |
| D.LCL32 B10 | DOUT.LCL(32) | DOUT.CB(32) | AN3 D.CB 32 |
| D.LCL33 A9 | DOUT.LCL(33) | DOUT.CB(33) | AM4 D.CB 33 |
| D.LCL34 B9 | DOUT.LCL(34) | DOUT.CB(34) | AH2 D.CB 34 |
| D.LCL35 A8 | DOUT.LCL(35) | DOUT.CB(35) | AL5 D.CB 35 |
| D.LCL36 E7 | DOUT.LCL(36) | DOUT.CB(36) | AR1 D.CB 36 |
| D.LCL37 B8 | DOUT.LCL(37) | DOUT.CB(37) | AL4 D.CB 37 |
| D.LCL38 C5 | DOUT.LCL(38) | DOUT.CB(38) | AG3 D.CB 38 |
| D.LCL39 A7 | DOUT.LCL(39) | DOUT.CB(39) | AR4 D.CB 39 |
| D.LCL40 A6 | DOUT.LCL(40) | DOUT.CB(40) | AG2 D.CB 40 |
| D.LCL41 B7 | DOUT.LCL(41) | DOUT.CB(41) | AJ5 D.CB 41 |
| D.LCL42 D6 | DOUT.LCL(42) | DOUT.CB(42) | AG1 D.CB 42 |
| D.LCL43 A5 | DOUT.LCL(43) | DOUT.CB(43) | AJ4 D.CB 43 |
| D.LCL44 C4 | DOUT.LCL(44) | DOUT.CB(44) | AF3 D.CB 44 |
| D.LCL45 C14 | DOUT.LCL(45) | DOUT.CB(45) | AF2 D.CB 45 |
| D.LCL46 F2 | DOUT.LCL(46) | DOUT.CB(46) | AH4 D.CB 46 |
| D.LCL47 V2 | DOUT.LCL(47) | DOUT.CB(47) | AF1 D.CB 47 |
| D.LCL48 U5 | DOUT.LCL(48) | DOUT.CB(48) | AG5 D.CB 48 |
| D.LCL49 V1 | DOUT.LCL(49) | DOUT.CB(49) | AG4 D.CB 49 |

CRATE FPGA:
 DATA OUTPUT TO LVDS CABLES
 AND TO LOCAL SYSTEM FPGA

U44
 CMMXCUI000E
 DATA BLOCK 1

| | |
|--------------|---------------|
| D.CB 0 E41 | DIN.CB(0) |
| D.CB 1 E42 | DIN.CB(1) |
| D.CB 2 F42 | DIN.CB(2) |
| D.CB 3 F42 | DIN.CB(3) |
| D.CB 4 G41 | DIN.CB(4) |
| D.CB 5 G42 | DIN.CB(5) |
| D.CB 6 H41 | DIN.CB(6) |
| D.CB 7 H42 | DIN.CB(7) |
| D.CB 8 J41 | DIN.CB(8) |
| D.CB 9 J42 | DIN.CB(9) |
| D.CB 10 K41 | DIN.CB(10) |
| D.CB 11 K42 | DIN.CB(11) |
| D.CB 12 L41 | DIN.CB(12) |
| D.CB 13 L42 | DIN.CB(13) |
| D.CB 14 M41 | DIN.CB(14) |
| D.CB 15 M42 | DIN.CB(15) |
| D.CB 16 N41 | DIN.CB(16) |
| D.CB 17 N42 | DIN.CB(17) |
| D.CB 18 P41 | DIN.CB(18) |
| D.CB 19 P42 | DIN.CB(19) |
| D.CB 20 R41 | DIN.CB(20) |
| D.CB 21 R42 | DIN.CB(21) |
| D.CB 22 T41 | DIN.CB(22) |
| D.CB 23 T42 | DIN.CB(23) |
| D.CB 24 U41 | DIN.CB(24) |
| D.CB 25 U42 | DIN.CB(25) |
| D.CB 26 V41 | DIN.CB(26) |
| D.CB 27 V42 | DIN.CB(27) |
| D.CB 28 W41 | DIN.CB(28) |
| D.CB 29 W42 | DIN.CB(29) |
| D.CB 30 Y41 | DIN.CB(30) |
| D.CB 31 Y42 | DIN.CB(31) |
| D.CB 32 AA41 | DIN.CB(32) |
| D.CB 33 AA42 | DIN.CB(33) |
| D.CB 34 AB41 | DIN.CB(34) |
| D.CB 35 AB42 | DIN.CB(35) |
| D.CB 36 AC41 | DIN.CB(36) |
| D.CB 37 AC42 | DIN.CB(37) |
| D.CB 38 AD41 | DIN.CB(38) |
| D.CB 39 AD42 | DIN.CB(39) |
| D.CB 40 AE41 | DIN.CB(40) |
| D.CB 41 AE42 | DIN.CB(41) |
| D.CB 42 AF41 | DIN.CB(42) |
| D.CB 43 AF42 | DIN.CB(43) |
| D.CB 44 AG41 | DIN.CB(44) |
| D.CB 45 AG42 | DIN.CB(45) |
| D.CB 46 AH41 | DIN.CB(46) |
| D.CB 47 AH42 | DIN.CB(47) |
| D.CB 48 AJ41 | DIN.CB(48) |
| D.CB 49 AJ42 | DIN.CB(49) |
| D.CB 75 F38 | DIN.CB(75) |
| D.CB 76 G38 | DIN.CB(76) |
| D.CB 77 H38 | DIN.CB(77) |
| D.CB 78 J38 | DIN.CB(78) |
| D.CB 79 K38 | DIN.CB(79) |
| D.CB 80 M38 | DIN.SPARE(1) |
| P38 | DIN.SPARE(2) |
| R38 | DIN.SPARE(3) |
| T38 | DIN.SPARE(4) |
| U38 | DIN.SPARE(5) |
| V38 | DIN.SPARE(6) |
| W38 | DIN.SPARE(7) |
| X38 | DIN.SPARE(8) |
| Y38 | DIN.SPARE(9) |
| AA38 | DIN.SPARE(10) |
| AB38 | DIN.SPARE(11) |
| AC38 | DIN.SPARE(12) |
| AD38 | DIN.SPARE(13) |
| AH38 | DOUT(64) |
| AJ38 | DOUT(65) |

SYSTEM FPGA:
 DATA INPUT FROM CABLES
 DATA OUTPUT TO CTP VIA FRONT PANEL

U44
 CMMXCUI000E
 DATA BLOCK 2

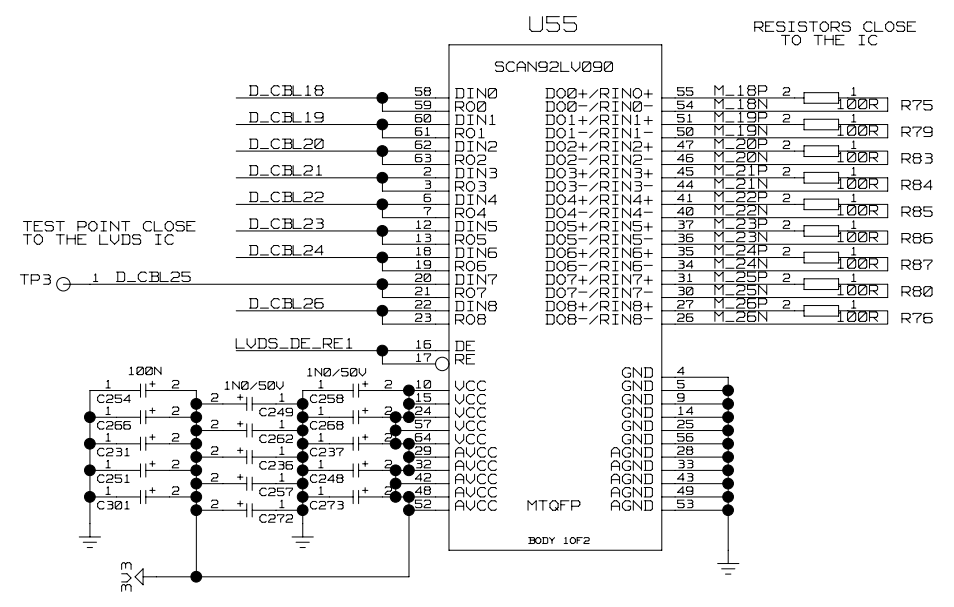
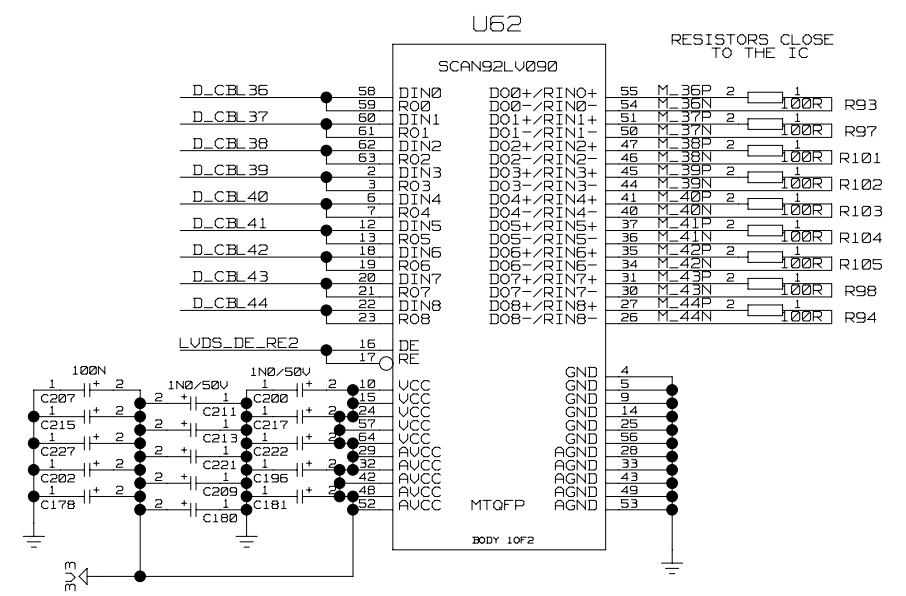
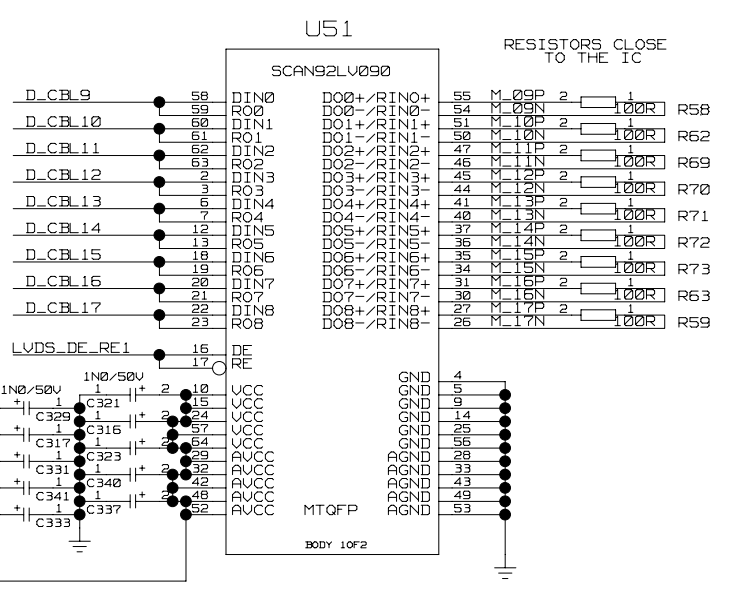
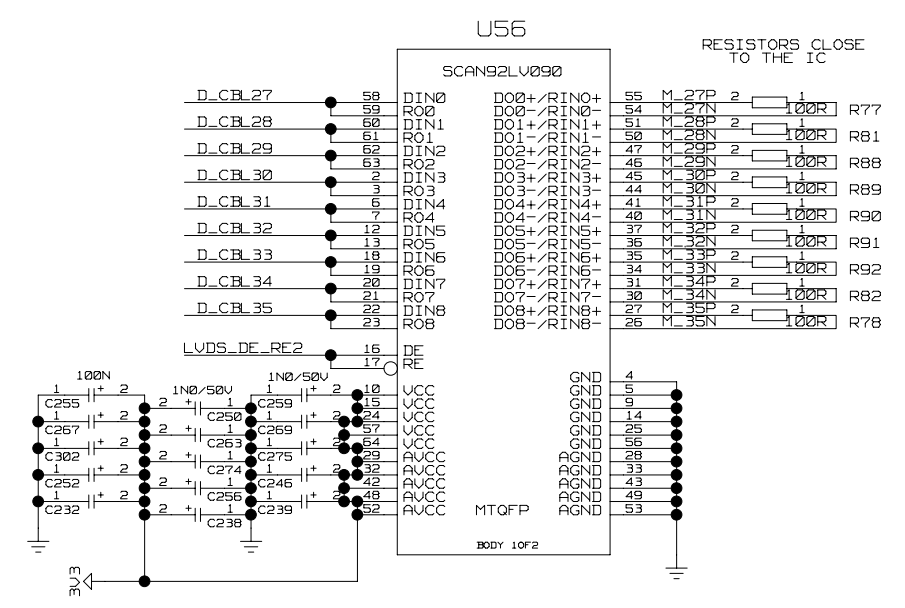
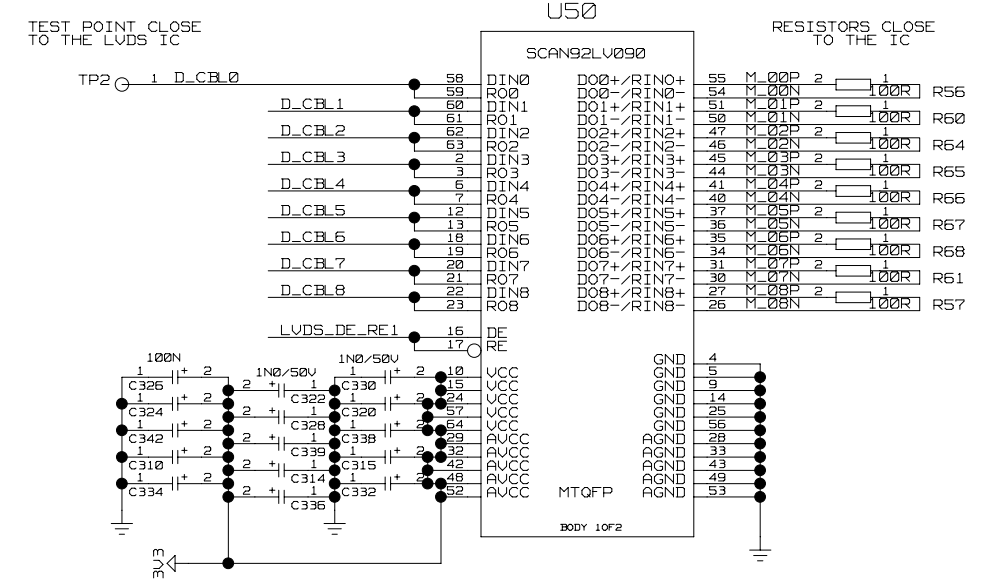
| | |
|--------------|-------------|
| D.CB 50 F39 | DIN.CB(50) |
| D.CB 51 G39 | DIN.CB(51) |
| D.CB 52 G39 | DIN.CB(52) |
| D.CB 53 G40 | DIN.CB(53) |
| D.CB 54 H39 | DIN.CB(54) |
| D.CB 55 H40 | DIN.CB(55) |
| D.CB 56 J39 | DIN.CB(56) |
| D.CB 57 J40 | DIN.CB(57) |
| D.CB 58 K39 | DIN.CB(58) |
| D.CB 59 K40 | DIN.CB(59) |
| D.CB 60 L39 | DIN.CB(60) |
| D.CB 61 L40 | DIN.CB(61) |
| D.CB 62 M39 | DIN.CB(62) |
| D.CB 63 M40 | DIN.CB(63) |
| D.CB 64 N39 | DIN.CB(64) |
| D.CB 65 N40 | DIN.CB(65) |
| D.CB 66 P39 | DIN.CB(66) |
| D.CB 67 P40 | DIN.CB(67) |
| D.CB 68 R39 | DIN.CB(68) |
| D.CB 69 R40 | DIN.CB(69) |
| D.CB 70 T39 | DIN.CB(70) |
| D.CB 71 T40 | DIN.CB(71) |
| D.CB 72 U39 | DIN.CB(72) |
| D.CB 73 U40 | DIN.CB(73) |
| D.CB 74 V39 | DIN.CB(74) |
| D.LCL0 AK41 | DIN.LCL(0) |
| D.LCL1 AK42 | DIN.LCL(1) |
| D.LCL2 AL41 | DIN.LCL(2) |
| D.LCL3 AL42 | DIN.LCL(3) |
| D.LCL4 AM41 | DIN.LCL(4) |
| D.LCL5 AM42 | DIN.LCL(5) |
| D.LCL6 AN41 | DIN.LCL(6) |
| D.LCL7 AN42 | DIN.LCL(7) |
| D.LCL8 AP41 | DIN.LCL(8) |
| D.LCL9 AP42 | DIN.LCL(9) |
| D.LCL10 AR41 | DIN.LCL(10) |
| D.LCL11 AR42 | DIN.LCL(11) |
| D.LCL12 AT41 | DIN.LCL(12) |
| D.LCL13 AT42 | DIN.LCL(13) |
| D.LCL14 AU41 | DIN.LCL(14) |
| D.LCL15 AU42 | DIN.LCL(15) |
| D.LCL16 AV41 | DIN.LCL(16) |
| D.LCL17 AV42 | DIN.LCL(17) |
| D.LCL18 U40 | DIN.LCL(18) |
| D.LCL19 W39 | DIN.LCL(19) |
| D.LCL20 W40 | DIN.LCL(20) |
| D.LCL21 Y39 | DIN.LCL(21) |
| D.LCL22 Y40 | DIN.LCL(22) |
| D.LCL23 AA40 | DIN.LCL(23) |
| D.LCL24 AB39 | DIN.LCL(24) |
| D.LCL25 AB40 | DIN.LCL(25) |
| D.LCL26 AC39 | DIN.LCL(26) |
| D.LCL27 AC40 | DIN.LCL(27) |
| D.LCL28 AD39 | DIN.LCL(28) |
| D.LCL29 AD40 | DIN.LCL(29) |
| D.LCL30 AE39 | DIN.LCL(30) |
| D.LCL31 AE40 | DIN.LCL(31) |
| D.LCL32 AF39 | DIN.LCL(32) |
| D.LCL33 AF40 | DIN.LCL(33) |
| D.LCL34 AG39 | DIN.LCL(34) |
| D.LCL35 AG40 | DIN.LCL(35) |
| D.LCL36 AH39 | DIN.LCL(36) |
| D.LCL37 AH40 | DIN.LCL(37) |
| D.LCL38 AJ39 | DIN.LCL(38) |
| D.LCL39 AJ40 | DIN.LCL(39) |
| D.LCL40 AK39 | DIN.LCL(40) |
| D.LCL41 AK40 | DIN.LCL(41) |
| D.LCL42 AL39 | DIN.LCL(42) |
| D.LCL43 AL40 | DIN.LCL(43) |
| D.LCL44 AM39 | DIN.LCL(44) |
| D.LCL45 AM40 | DIN.LCL(45) |
| D.LCL46 AN39 | DIN.LCL(46) |
| D.LCL47 AN40 | DIN.LCL(47) |
| D.LCL48 AP39 | DIN.LCL(48) |
| D.LCL49 AP40 | DIN.LCL(49) |

SYSTEM FPGA:
 DATA INPUT FROM CABLE
 AND FROM LOCAL CRATE FPGA

| | | | | | | |
|-------|------------|---------|----------------|--------------------|--------------------|--------|
| E | 20/09/2006 | TE294 | D. J. BECKETT | I. BRAUN/V. PERERA | I. BRAUN/V. PERERA | |
| D | 16/05/2006 | TE293 | D. J. BECKETT | I. BRAUN/V. PERERA | I. BRAUN/V. PERERA | |
| C | 10/12/2004 | TE258 | D. J. BECKETT | I. BRAUN/V. PERERA | I. BRAUN/V. PERERA | |
| B | 24/01/2003 | TE222 | P. APOSTOLOGLU | P. APOSTOLOGLU | P. APOSTOLOGLU | |
| A | 09/12/2002 | ----- | P. APOSTOLOGLU | P. APOSTOLOGLU | P. APOSTOLOGLU | |
| ISSUE | DATE | MOD NO. | DRN BY. | CHKD. | APPD. | STATUS |

USED ON ATLAS CALORIMETER FIRST-LEVEL TRIGGER © CCLRC 2002
 CCLRC COUNCIL FOR THE CENTRAL LABORATORY OF THE RESEARCH COUNCILS RUTHERFORD APPLETON LABORATORY, CHILTON, OXON OX11 0QX.
 TITLE PC3203M CIRCUIT
 COMMON MERGER MODULE
 CRATE FPGA DATA OUTPUTS
 AND SYSTEM FPGA DATA I/O
 DATE STAMP Mon Oct 02 09:31:44 2006 20/06

RESISTORS ARE NOT IN NETWORK



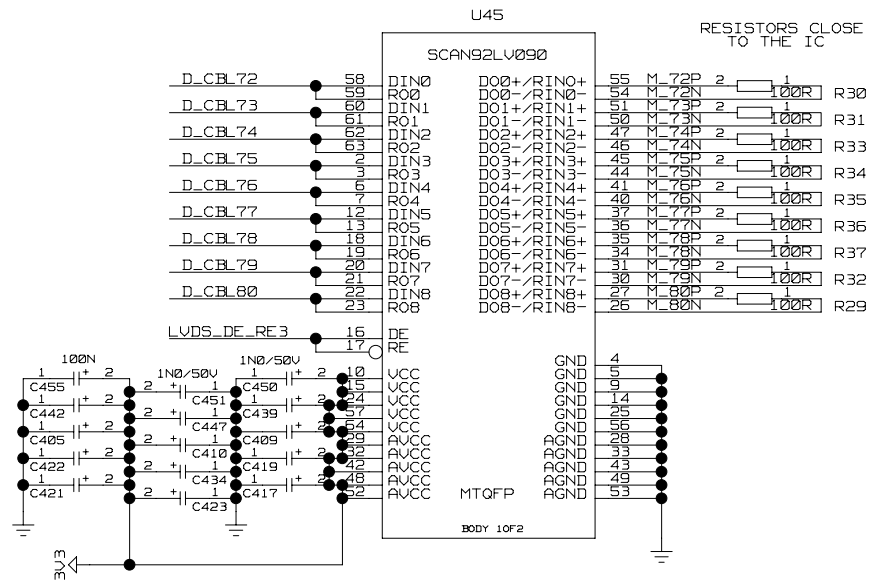
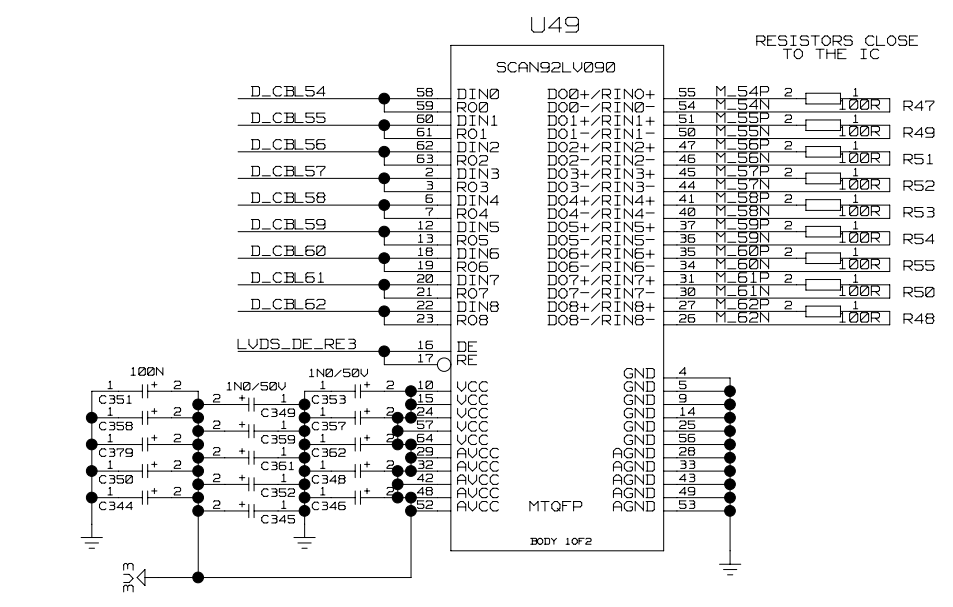
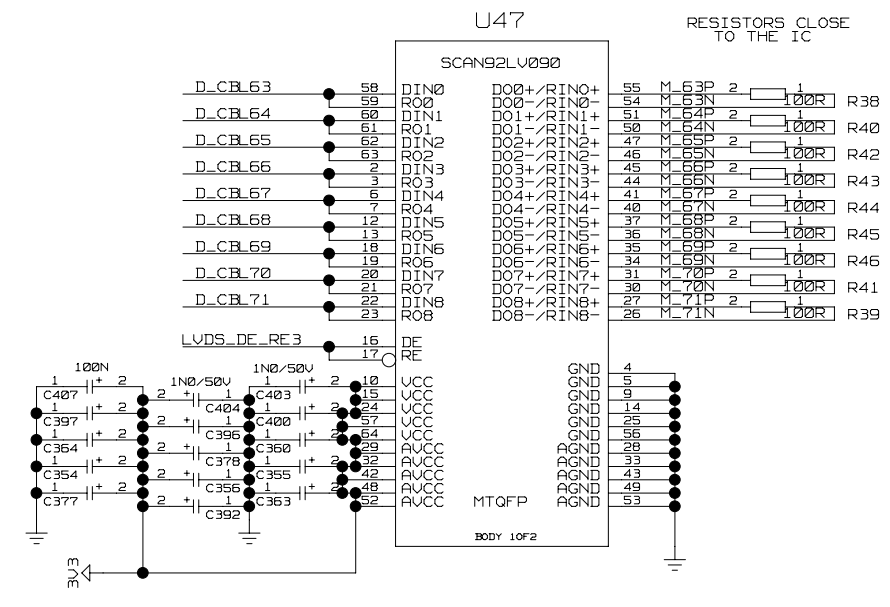
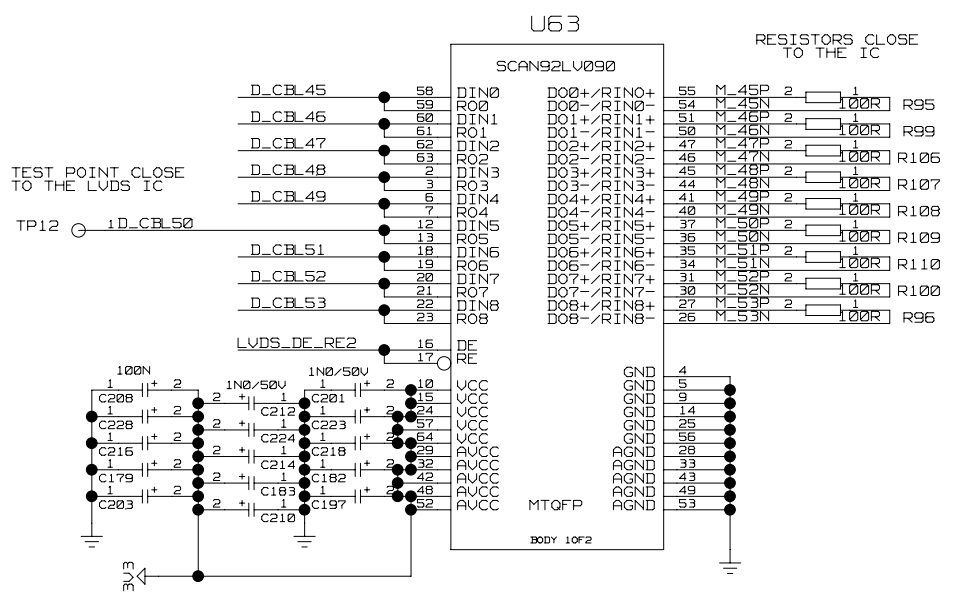
| | | | | | | |
|-------|------------|---------|----------------|--------------------|--------------------|--------|
| E | 20/09/2006 | TE294 | D. J. BECKETT | I. BRAUN/V. PERERA | I. BRAUN/V. PERERA | |
| D | 16/06/2006 | TE293 | D. J. BECKETT | I. BRAUN/V. PERERA | I. BRAUN/V. PERERA | |
| C | 10/12/2004 | TE258 | D. J. BECKETT | I. BRAUN/V. PERERA | I. BRAUN/V. PERERA | |
| B | 24/01/2003 | TE222 | P. APOSTOLOGLU | P. APOSTOLOGLU | P. APOSTOLOGLU | |
| A | 09/12/2002 | ----- | P. APOSTOLOGLU | P. APOSTOLOGLU | P. APOSTOLOGLU | |
| ISSUE | DATE | MOD NO. | DRN BY. | CHKD. | APPD. | STATUS |

USED ON ATLAS CALORIMETER FIRST-LEVEL TRIGGER © CCLRC 2002

CCLRC COUNCIL FOR THE CENTRAL LABORATORY OF THE RESEARCH COUNCILS RUTHERFORD APPLETON LABORATORY, CHILTON, OXON OX11 0QX.

TITLE PC3203M CIRCUIT
 COMMON MERGER MODULE

DATE STAMP BI-DIRECTIONAL LVDS VIA BACKPLANE 1 OF 2
 Mon Oct 02 09:31:46 2006



| | | | | | | |
|-------|------------|---------|-----------------|--------------------|--------------------|--------|
| E | 20/09/2006 | TE294 | D. J. BECKETT | I. BRAUN/V. PERERA | I. BRAUN/V. PERERA | |
| D | 16/06/2006 | TE293 | D. J. BECKETT | I. BRAUN/V. PERERA | I. BRAUN/V. PERERA | |
| C | 10/12/2004 | TE258 | D. J. BECKETT | I. BRAUN/V. PERERA | I. BRAUN/V. PERERA | |
| B | 24/01/2003 | TE222 | P. APOSTOLOGLOU | P. APOSTOLOGLOU | P. APOSTOLOGLOU | |
| A | 09/12/2002 | ----- | P. APOSTOLOGLOU | P. APOSTOLOGLOU | P. APOSTOLOGLOU | |
| ISSUE | DATE | MOD NO. | DRN BY. | CHKD. | APPD. | STATUS |

USED ON ATLAS CALORIMETER FIRST-LEVEL TRIGGER © CCLRC 2001

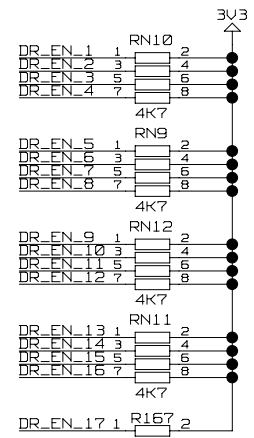
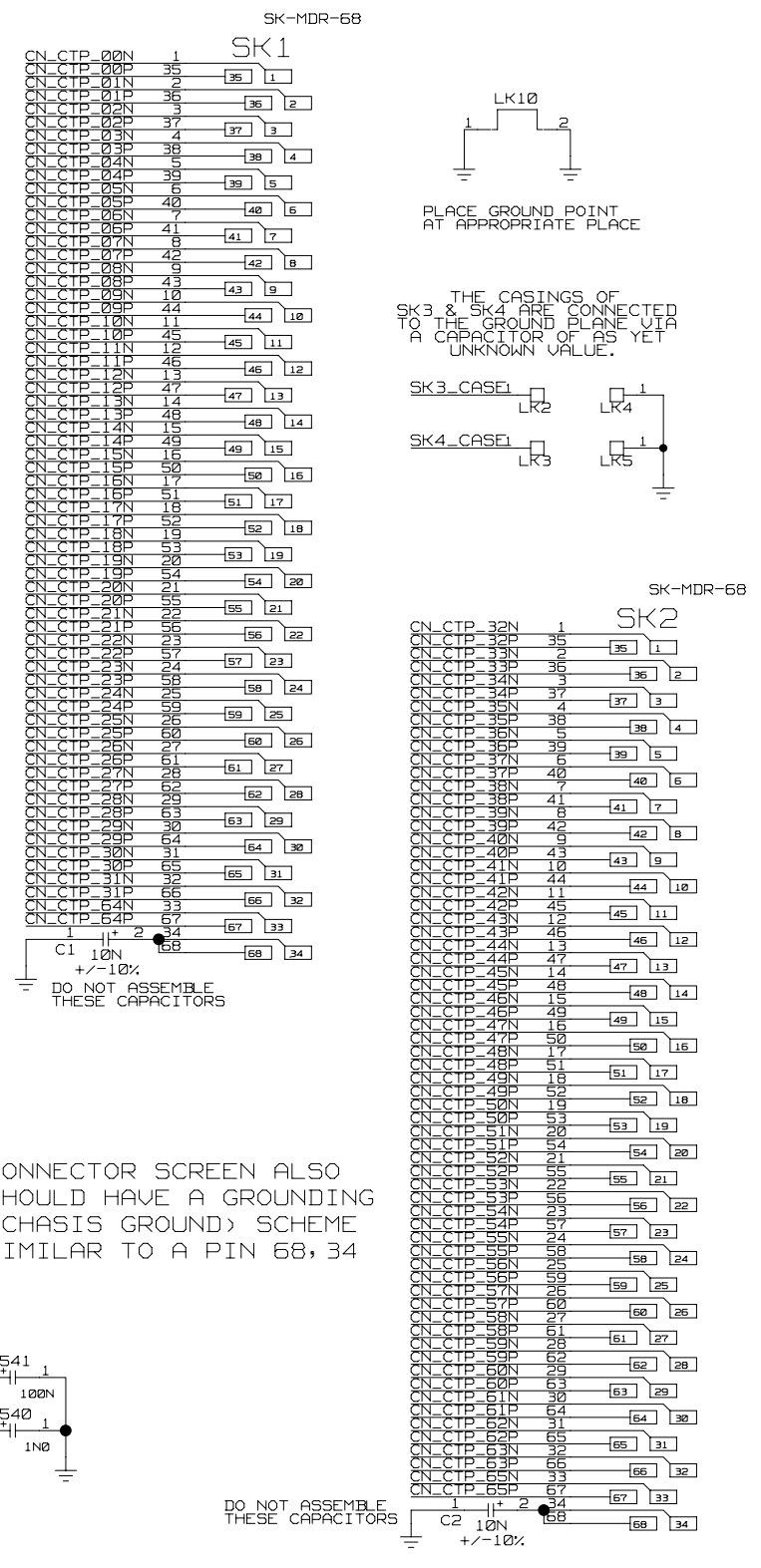
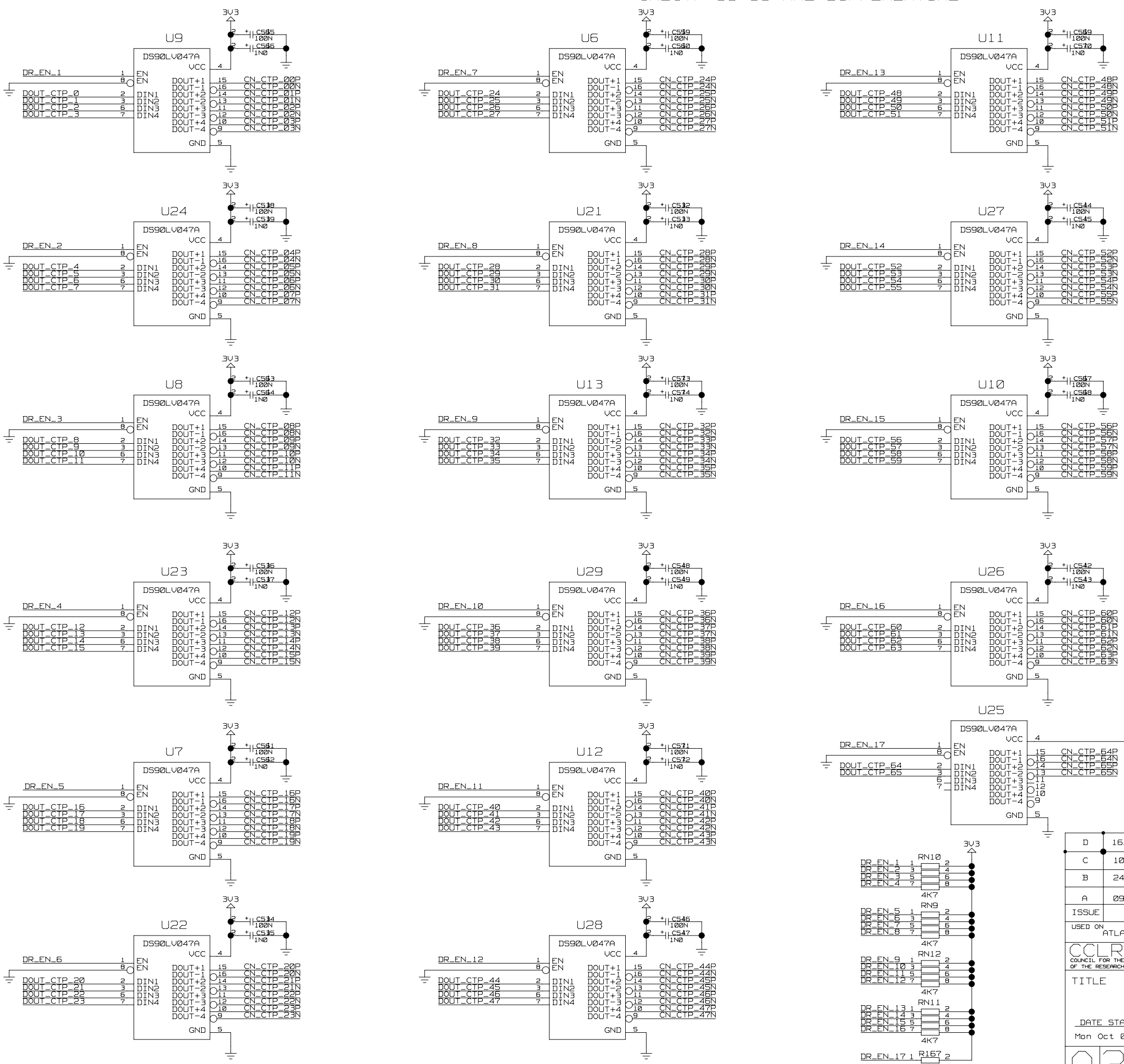
CCLRC COUNCIL FOR THE CENTRAL LABORATORY OF THE RESEARCH COUNCILS RUTHERFORD APPLETON LABORATORY, CHILTON, OXON OX11 0QX.

TITLE PC3203M CIRCUIT
 COMMON MERGER MODULE

DATE STAMP BI-DIRECTIONAL LVDS BACKPLANE 2 OF 2
 Mon Oct 02 09:31:48 2006 20/06

A2-TE-0073-066-15-E

CN_CTP 00-65 ARE DIFFERENTIAL



| | | | | | | |
|--|------------|---------|----------------------|--------------------|--------------------|--------|
| D | 16/05/2006 | TE293 | D. J. BECKETT | I. BRAUN/V. PERERA | I. BRAUN/V. PERERA | |
| C | 10/12/2004 | TE258 | D. J. BECKETT | I. BRAUN/V. PERERA | I. BRAUN/V. PERERA | |
| B | 24/01/2003 | TE222 | P. APOSTOLOGLU | P. APOSTOLOGLU | P. APOSTOLOGLU | |
| A | 09/12/2002 | ----- | P. APOSTOLOGLU | P. APOSTOLOGLU | P. APOSTOLOGLU | |
| ISSUE | DATE | MOD NO. | DRN BY. | CHKD. | APPD. | STATUS |
| USED ON | | | | | © CCLRC 2002 | |
| ATLAS CALORIMETER FIRST-LEVEL TRIGGER | | | | | | |
| CCLRC COUNCIL FOR THE CENTRAL LABORATORY RUTHERFORD APPLETON LABORATORY, CHILTON, OXON OX11 0QX. | | | | | | |
| TITLE | | | CIRCUIT | | | |
| PC3203M | | | COMMON MERGER MODULE | | | |
| DATE STAMP | | | LUDS DRIVERS TO CTP | | | |
| Mon Oct 02 09:31:22 2006 | | | 20/06 | | | |
| A2-TE-0073-066-16-E | | | | | | |
| TOTAL NO. OF SHEETS | | | | | 16 | |