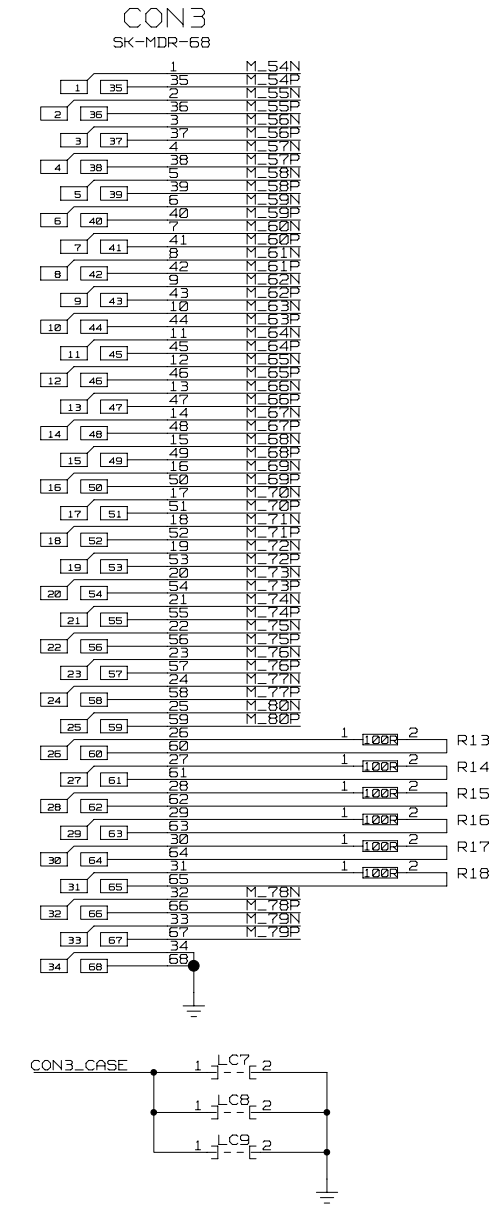
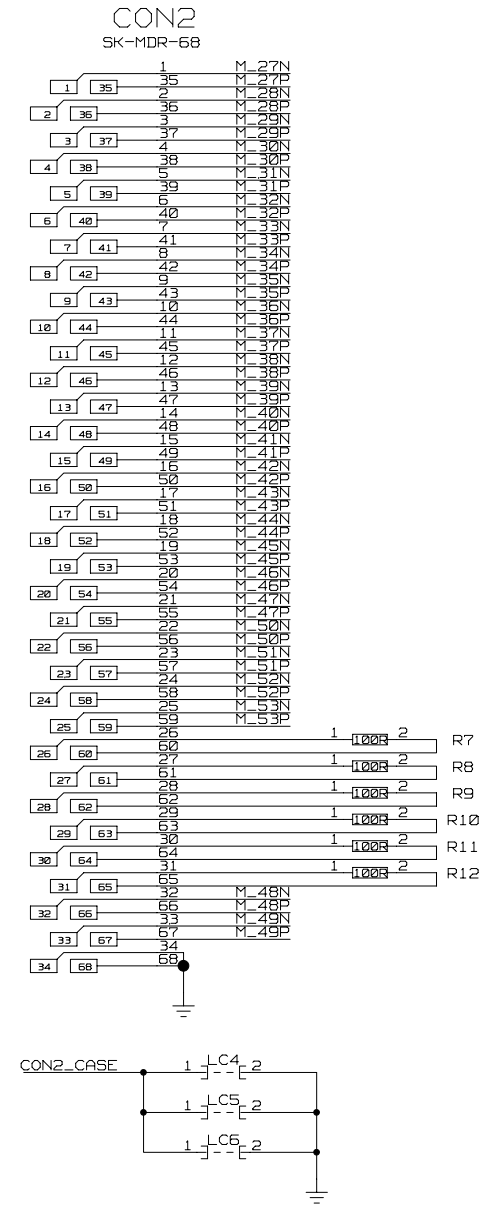
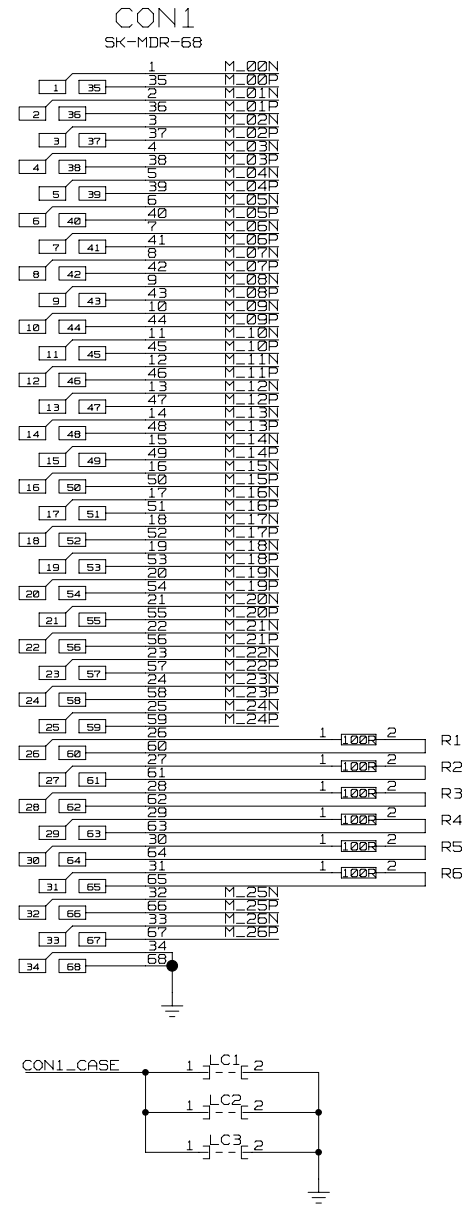
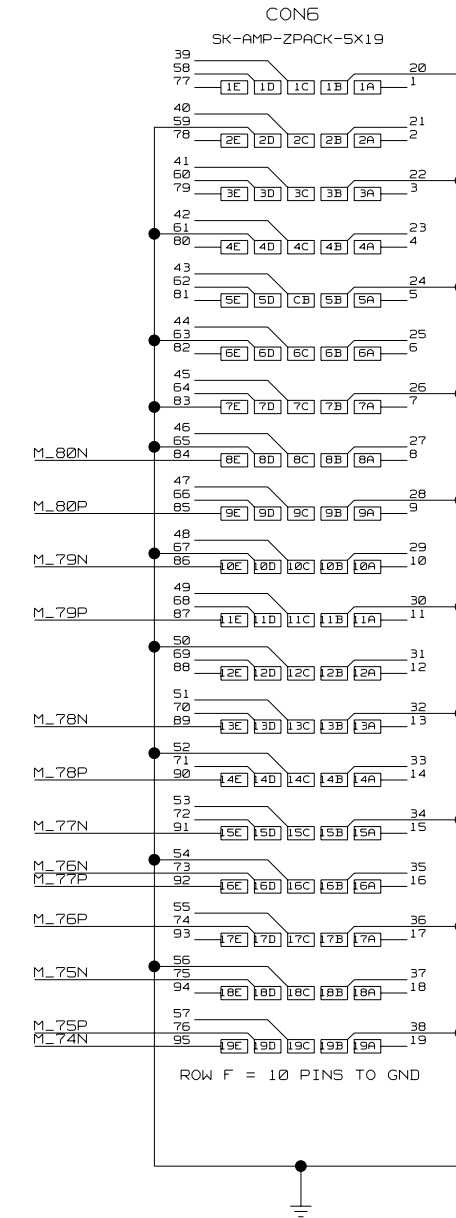
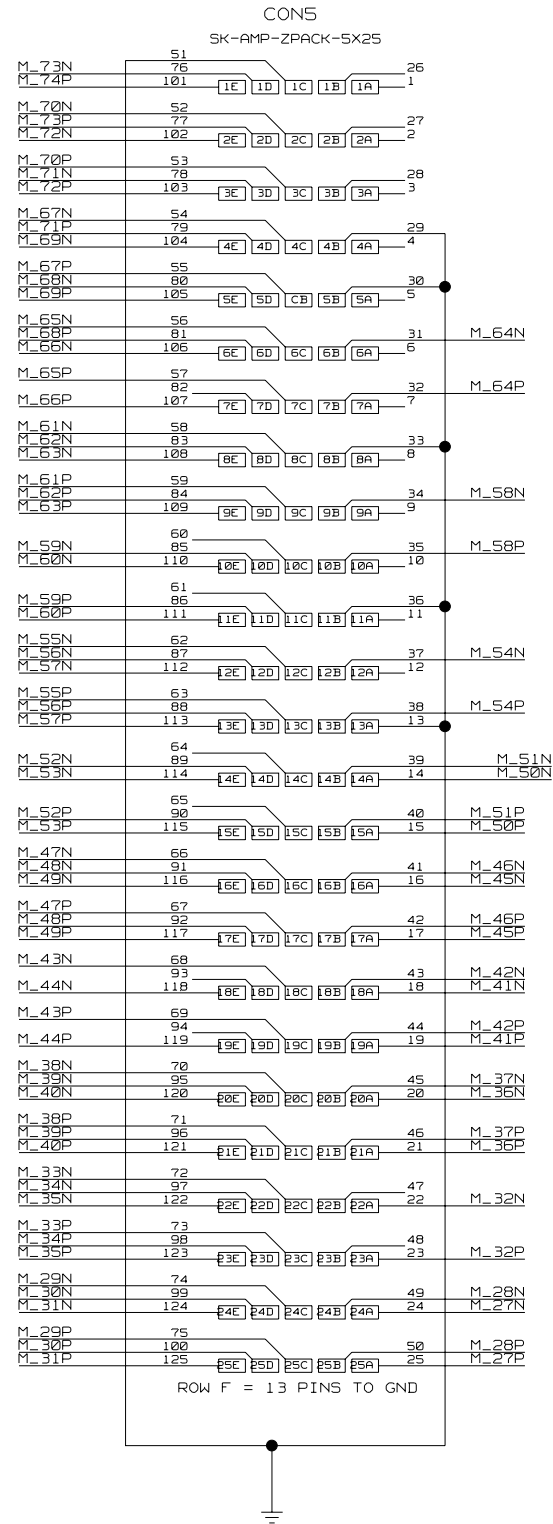
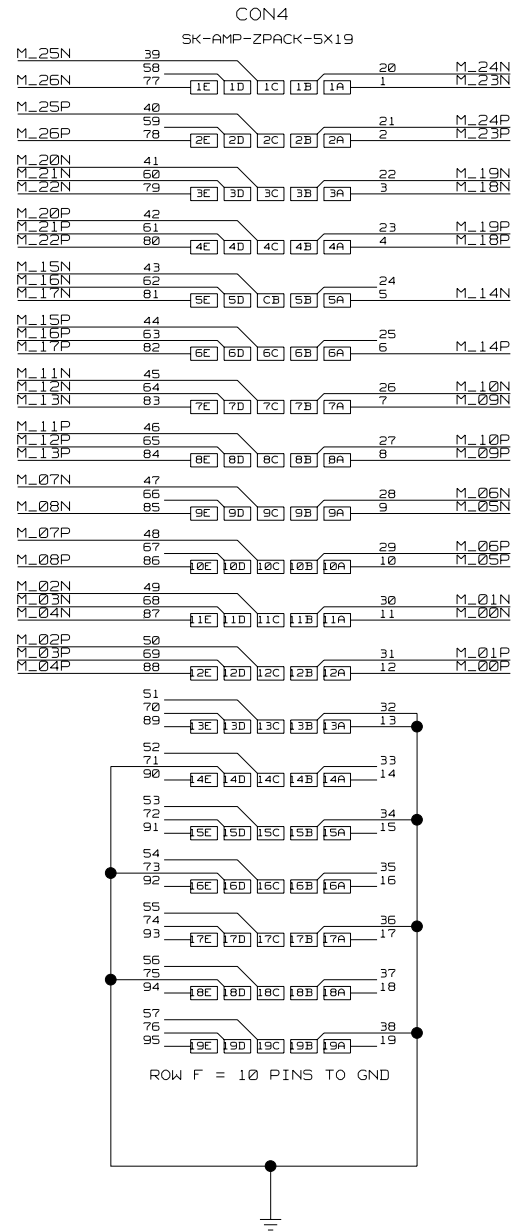


DO NOT CHANGE CONNECTOR NUMBERS



B	12-04-2006	TE291	D. J. BECKETT	I BRAUN	I. BRAUN	
A	21/05/2002	-----	P. APOSTOLOGLOU	P. APOSTOLOGLOU	P. APOSTOLOGLOU	
ISSUE	DATE	MOD NO.	DRN BY.	CHKD.	APPD.	STATUS
USED ON ATLAS CALORIMETER FIRST LEVEL TRIGGER						© CCLRC 2002
CCLRC COUNCIL FOR THE CENTRAL LABORATORY RUTHERFORD APPLETON LABORATORY, CHILTON, OXON OX11 0QX. OF THE RESEARCH COUNCILS						
TITLE PC3209M			CIRCUIT			
COMMON MERGER MODULE						
REAR TRANSITION MODULE						
A2-TE-0073-074-01-B						

DO NOT CHANGE CONNECTOR NUMBERS



B	12-04-2006	TE291	D. J. BECKETT	I. BRAUN	I. BRAUN	
A	21/05/2002	-----	P. APOSTOLOGLU	P. APOSTOLOGLU	P. APOSTOLOGLU	
ISSUE	DATE	MOD NO.	DRN BY.	CHKD.	APPD.	STATUS
USED ON ATLAS CALORIMETER FIRST LEVEL TRIGGER © CCLRC 2002						
CCLRC COUNCIL FOR THE CENTRAL LABORATORY RUTHERFORD APPLETON LABORATORY, CHILTON, OXON OX11 0QX. OF THE RESEARCH COUNCILS						
TITLE PC3209M			CIRCUIT			
COMMON MERGER MODULE						
REAR TRANSITION MODULE						
A2-TE-0073-074-02-B						39/05 08/02