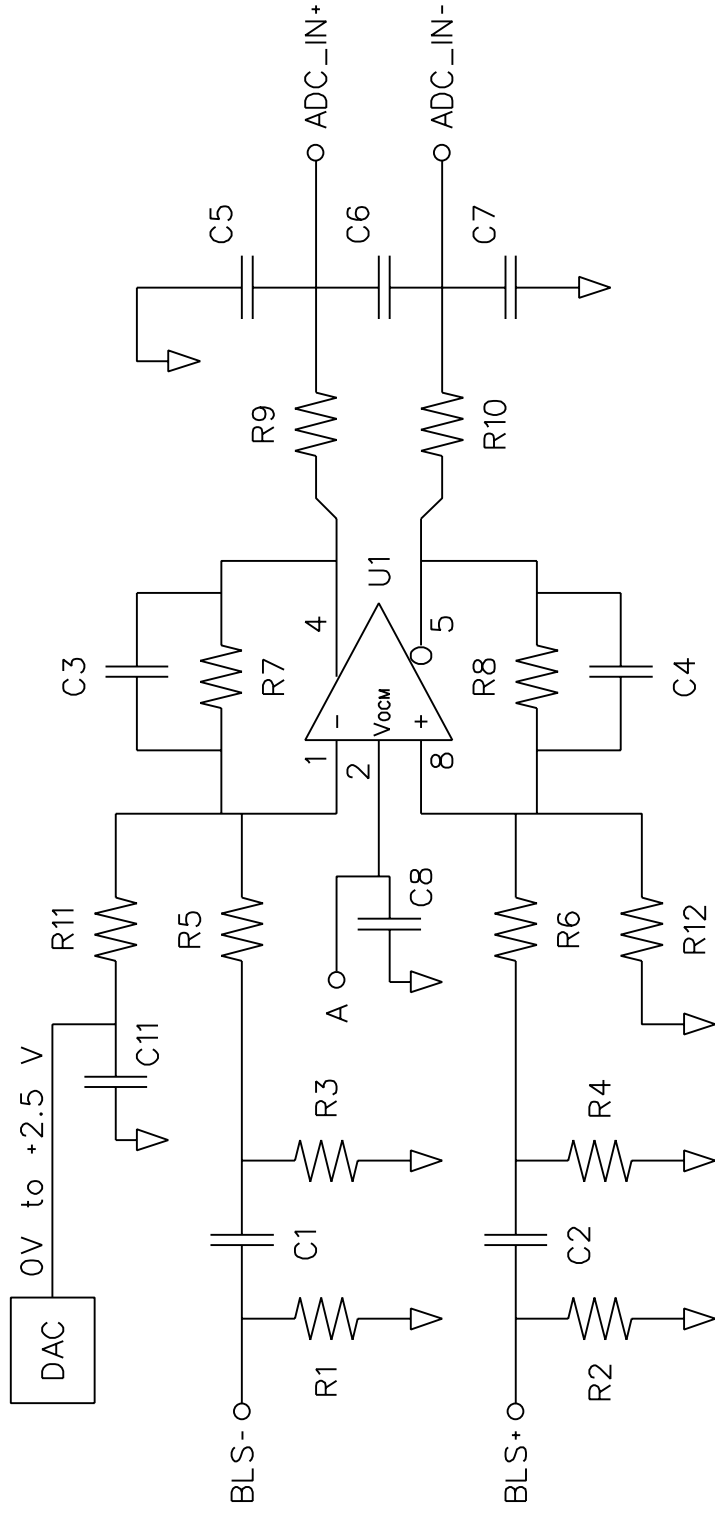
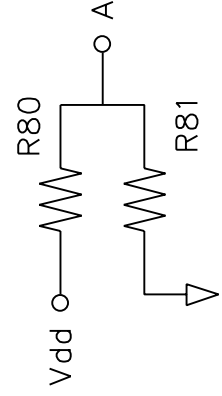


# Differential Amplifier



R80 and R81 supply the common mode reference to both Diff Amps that drive the dual ADC.



- U1 THS4141
  - R1, R2 1 meg
  - R3, R4 84.5
  - R5, R6 1.5k
  - R7, R8 499
  - R9, R10 150
  - R11, R12 1.1k
  - R80 2.05k
  - R81 1k
  - C1, C2 470 nFd
  - C3, C4 18 pFd
  - C5, C7 27 pFd
  - C6 15 pFd
  - C8, C9 0.1 uFd
  - C10, C11 0.1 uFd
  - C80, C81 4.7 uFd shared by both Diff Amps
- The reference designators for the second Diff Amp start at 21.