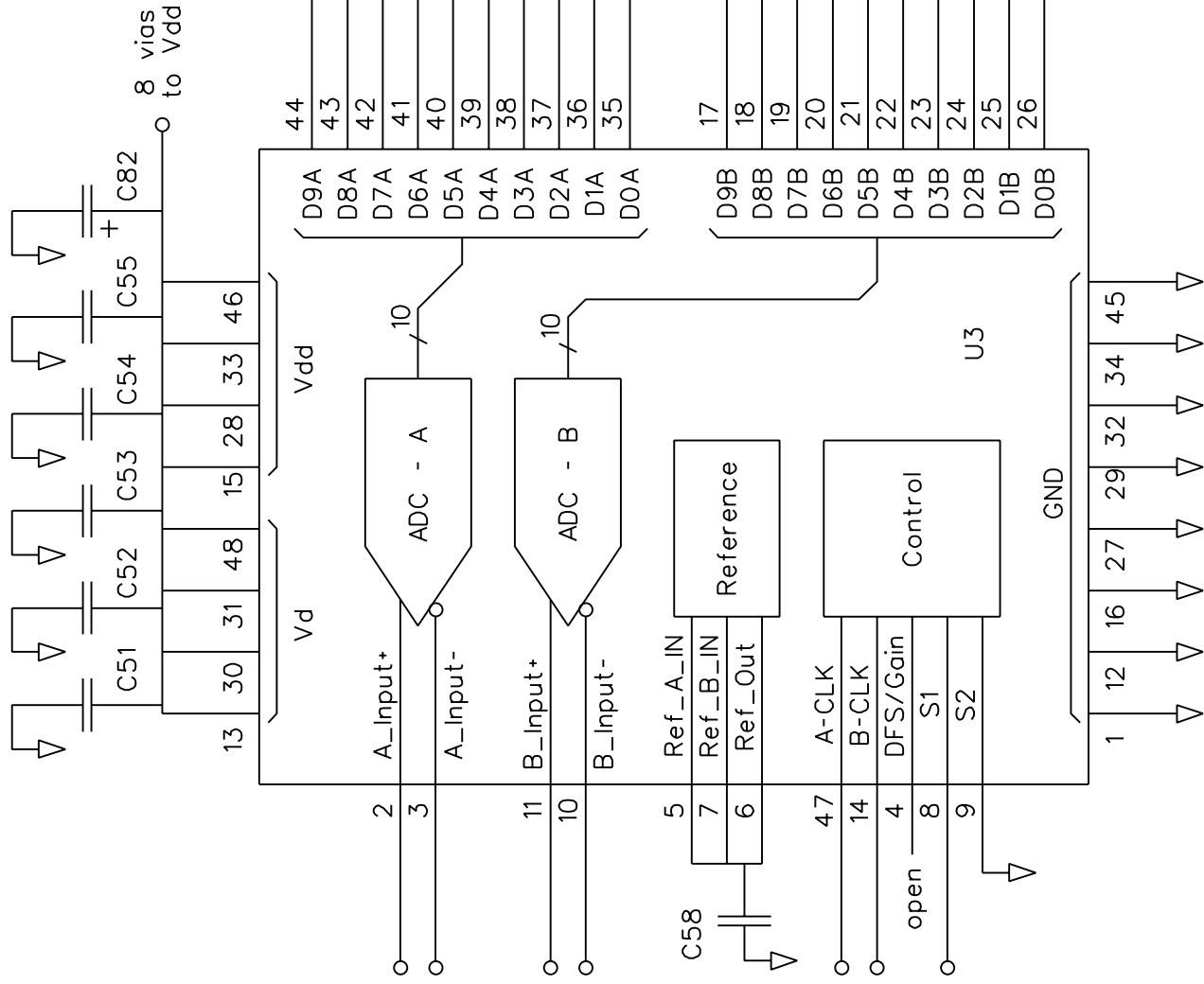


Dual 10 Bit 40 MHz ADC



- C51, C52 0.1 uFd
- C53, C54 0.1 uFd
- C55, C58 0.1 uFd
- C82 6.8 uFd
- N1, N23 exb28 100
- N2, N22 exb28 100
- N3, N21 exb24 100
- U3 AD9218