

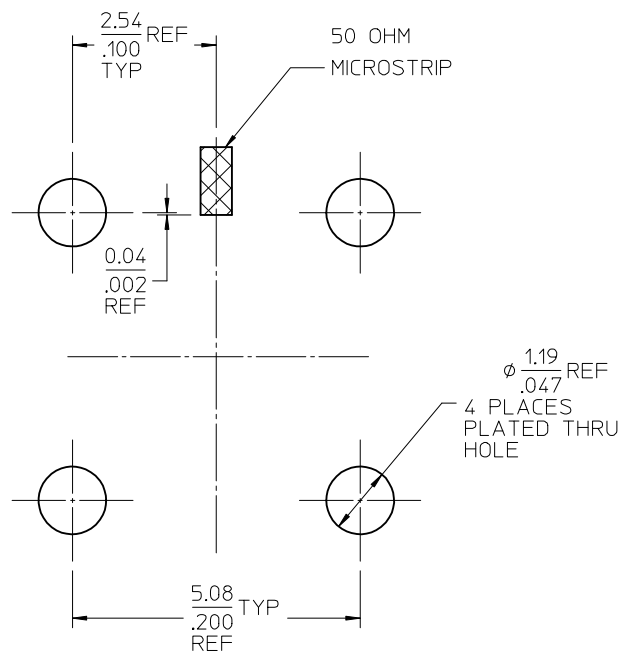
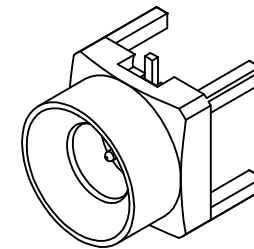
MATERIALS AND FINISHES:

BODY: BRASS
 PLATED: GOLD (30μ-in MIN)
 OVER NICKEL (100μ-in MIN)

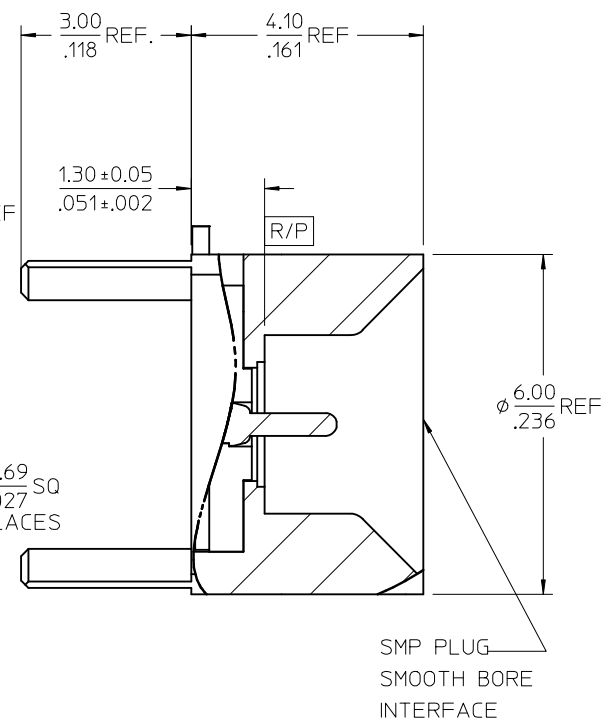
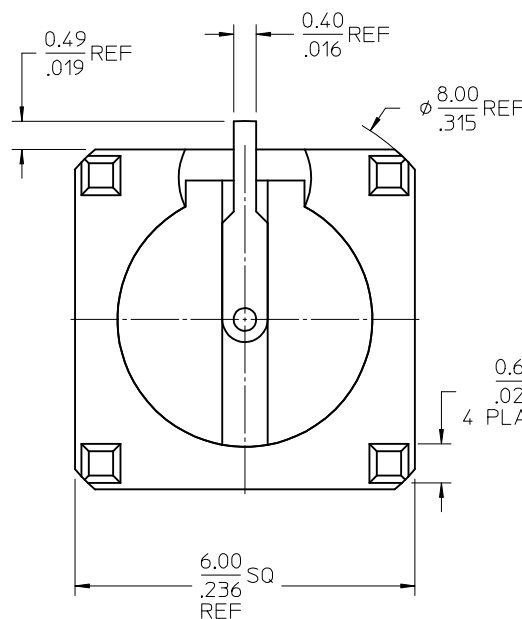
CONTACT: BRASS
 PLATED: GOLD (30μ-in MIN)
 OVER NICKEL (100μ-in MIN)

INSULATOR: PEEK OR LCP

TAPE: SEE SHEET 2
 REEL: SEE SHEET 3



RECOMMENDED PCB LAYOUT



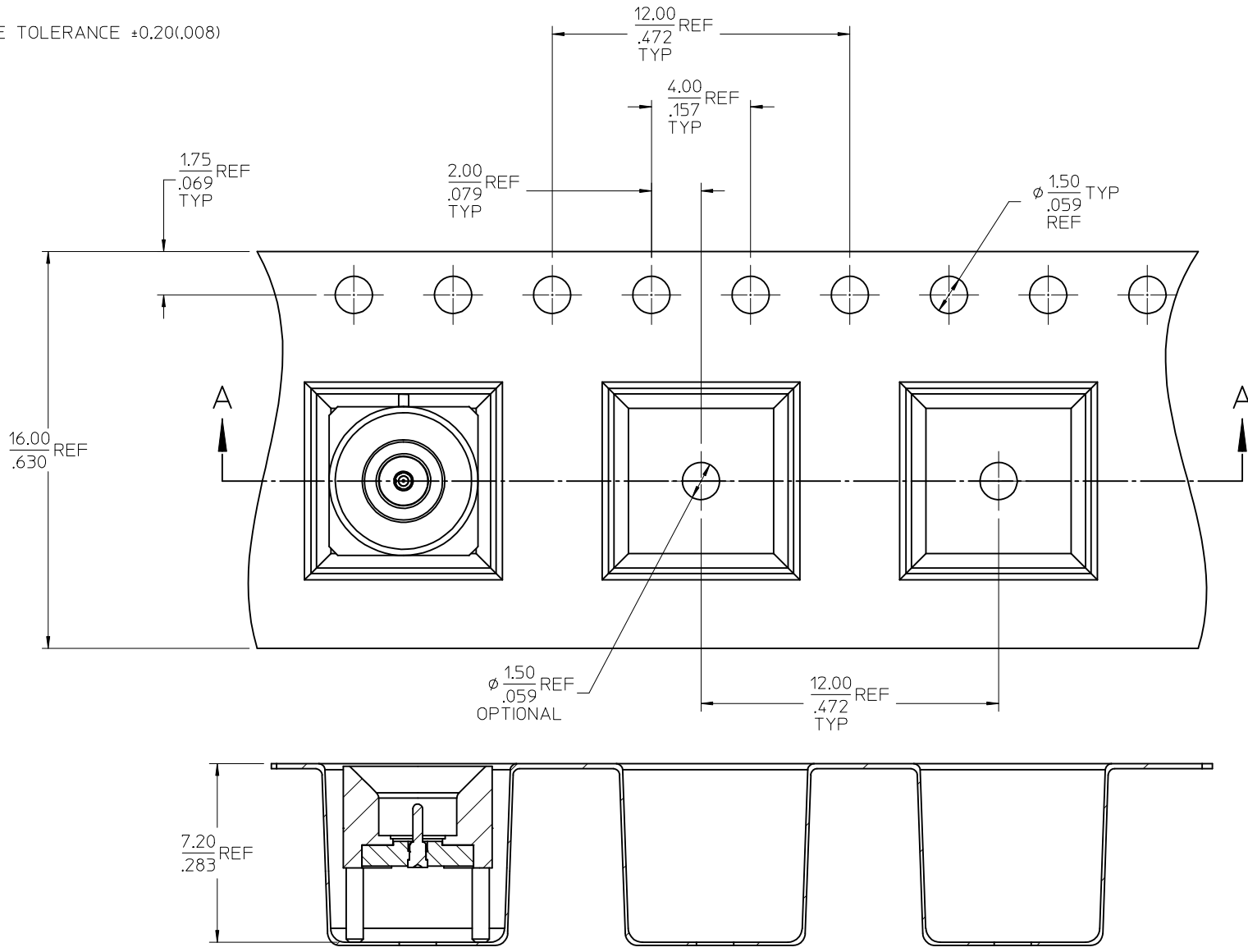
PART # 73406-0080

MIL-STD-348B, FIG. 326.4	INTERFACE
SPECIFICATION	DESCRIPTION

CHG: ADD TOLERANCE TO DIM 1.30/.051 IN G4 ZONE. EC NO: URF2017-0389 DRWN:APRAKASHO1 2017/05/19 CHKD:BBB 2017/05/19 APPR:AROBERTSON 2017/06/26	QUALITY SYMBOLS ▽=0 ▽=0 ▽=0	GENERAL TOLERANCES (UNLESS SPECIFIED) mm INCH 4 PLACES ± --- ± --- 3 PLACES ± --- ± .010 2 PLACES ± 0.25 ± --- 1 PLACE ± --- ± --- 0 PLACE ± ±	DIMENSION STYLE MM/IN DRAWN BY DATE CLLI 2007/01/09 CHECKED BY DATE JOANNE 2007/01/09 APPROVED BY DATE MISEN 2007/01/09	SCALE DESIGN UNITS METRIC THIRD ANGLE PROJECTION	TITLE SMP PLUG PCB SMT CONTACT SMOOTH BORE TH LEGS SMP-P/PCB molex	MATERIAL NO. 734060080	DOCUMENT NO. SD-73406-008	SHEET NO. 1 OF 3
		ANGULAR ± 2 ° DRAFT WHERE APPLICABLE MUST REMAIN WITHIN DIMENSIONS	THIS DRAWING CONTAINS INFORMATION THAT IS PROPRIETARY TO MOLEX INCORPORATED AND SHOULD NOT BE USED WITHOUT WRITTEN PERMISSION					

NOTE:

1. 10 PITCHES CUMULATIVE TOLERANCE ±0.20(.008)



SECTION A-A

CHG: SEE SHEET 1 EC NO: URF2017-0389 DRWN:APRKAASHO1 2017/05/19 CHKD:BBB 2017/05/19 APPR:AROBERTSON 2017/06/26 REV: B2	QUALITY SYMBOLS	GENERAL TOLERANCES (UNLESS SPECIFIED)		DIMENSION STYLE	SCALE	DESIGN UNITS	THIRD ANGLE PROJECTION
	▽=0	mm	INCH	MM/IN		METRIC	
	▽=0	4 PLACES ± ---	± ---	DRAWN BY	DATE	TITLE	
	▽=0	3 PLACES ± ---	± .010	CLLI	2007/01/09	SMP PLUG PCB SMT CONTACT SMOOTH BORE TH LEGS SMP-P/PCB	
		2 PLACES ± 0.25	± ---	CHECKED BY	DATE		
		1 PLACE ± ---	± ---	JOANNE	2007/01/09		
		0 PLACE ±	±	APPROVED BY	DATE		
				MISEN	2007/01/09		
		ANGULAR ± 2 °		MATERIAL NO.	DOCUMENT NO.		
		DRAFT WHERE APPLICABLE MUST REMAIN WITHIN DIMENSIONS		SEE SHEET 1	SD-73406-008		
				SIZE	THIS DRAWING CONTAINS INFORMATION THAT IS PROPRIETARY TO MOLEX INCORPORATED AND SHOULD NOT BE USED WITHOUT WRITTEN PERMISSION		SHEET NO. 2 OF 3

22.4
.882 MAX

LABEL:
- ORDER NO.
- QUANTITY
- PART NUMBER
- LOT NO.

75 EMPTY UNITS
MINIMUM

ORDER QUANTITY
PACKED WITH 750
COMPONENTS

40 EMPTY UNITS
MINIMUM

230.00
9.00
MIN

HANDLING DIRECTION →

∅ 62.00 ± 0.51
2.441 ± 0.020

∅ 330.02 ± 0.51
12.993 ± 0.020

16.4
.647 MIN

CHG: SEE SHEET 1 EC NO: URF2017-0389 DRAWN: PRAKASHO1 2017/05/19 CHKD: HBB 2017/05/19 APPR: ROBERTSON 2017/06/26	QUALITY SYMBOLS	GENERAL TOLERANCES (UNLESS SPECIFIED)	DIMENSION STYLE	SCALE	DESIGN UNITS	THIRD ANGLE PROJECTION
	∇=0 ∇=0 ∇=0	mm INCH	MM/IN	METRIC		

4 PLACES	± ---	± ---
3 PLACES	± ---	± .010
2 PLACES	± 0.25	± ---
1 PLACE	± ---	± ---
0 PLACE	±	±

DRAWN BY	DATE
CLL1	2007/01/09
CHECKED BY	DATE
JOANNE	2007/01/09
APPROVED BY	DATE
MISEN	2007/01/09

TITLE		SMP PLUG PCB SMT CONTACT SMOOTH BORE TH LEGS SMP-P/PCB
DRAWING NO.		
MATERIAL NO.		SD-73406-008
SEE SHEET 1		
DOCUMENT NO.		SHEET NO.
		3 OF 3

ANGULAR ± 2 °
DRAFT WHERE APPLICABLE
MUST REMAIN
WITHIN DIMENSIONS

THIS DRAWING CONTAINS INFORMATION THAT IS PROPRIETARY TO MOLEX
INCORPORATED AND SHOULD NOT BE USED WITHOUT WRITTEN PERMISSION

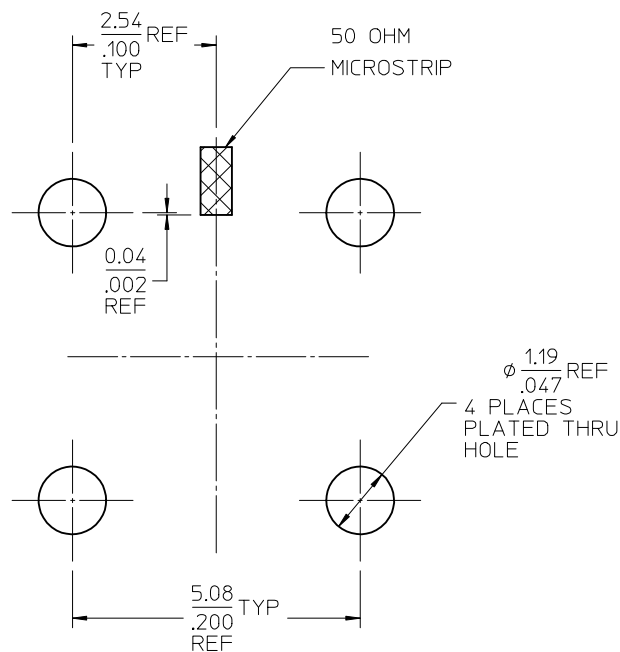
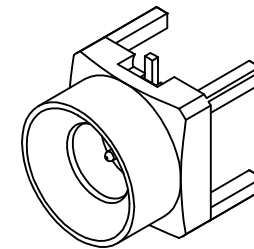
MATERIALS AND FINISHES:

BODY: BRASS
 PLATED: GOLD (30μ-in MIN)
 OVER NICKEL (100μ-in MIN)

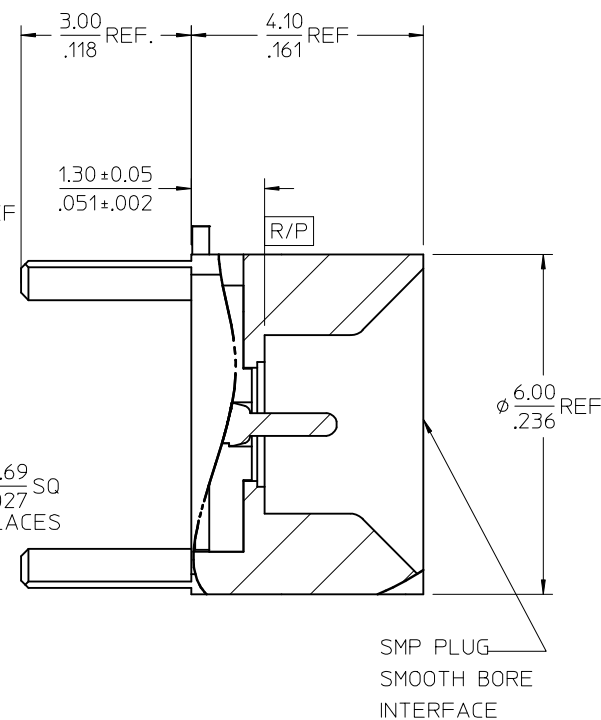
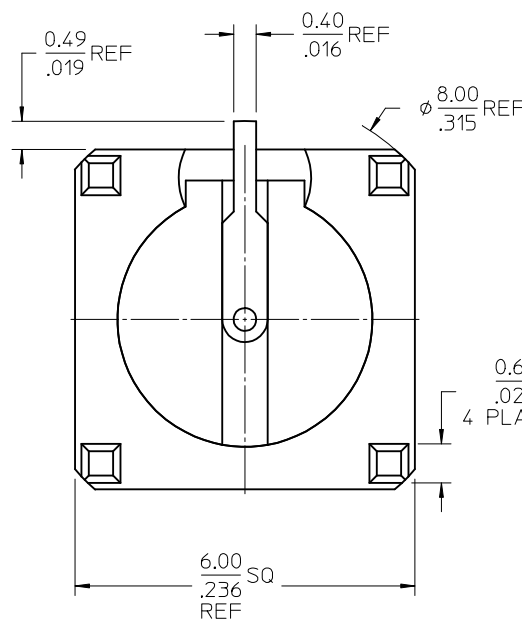
CONTACT: BRASS
 PLATED: GOLD (30μ-in MIN)
 OVER NICKEL (100μ-in MIN)

INSULATOR: PEEK OR LCP

TAPE: SEE SHEET 2
 REEL: SEE SHEET 3



RECOMMENDED PCB LAYOUT



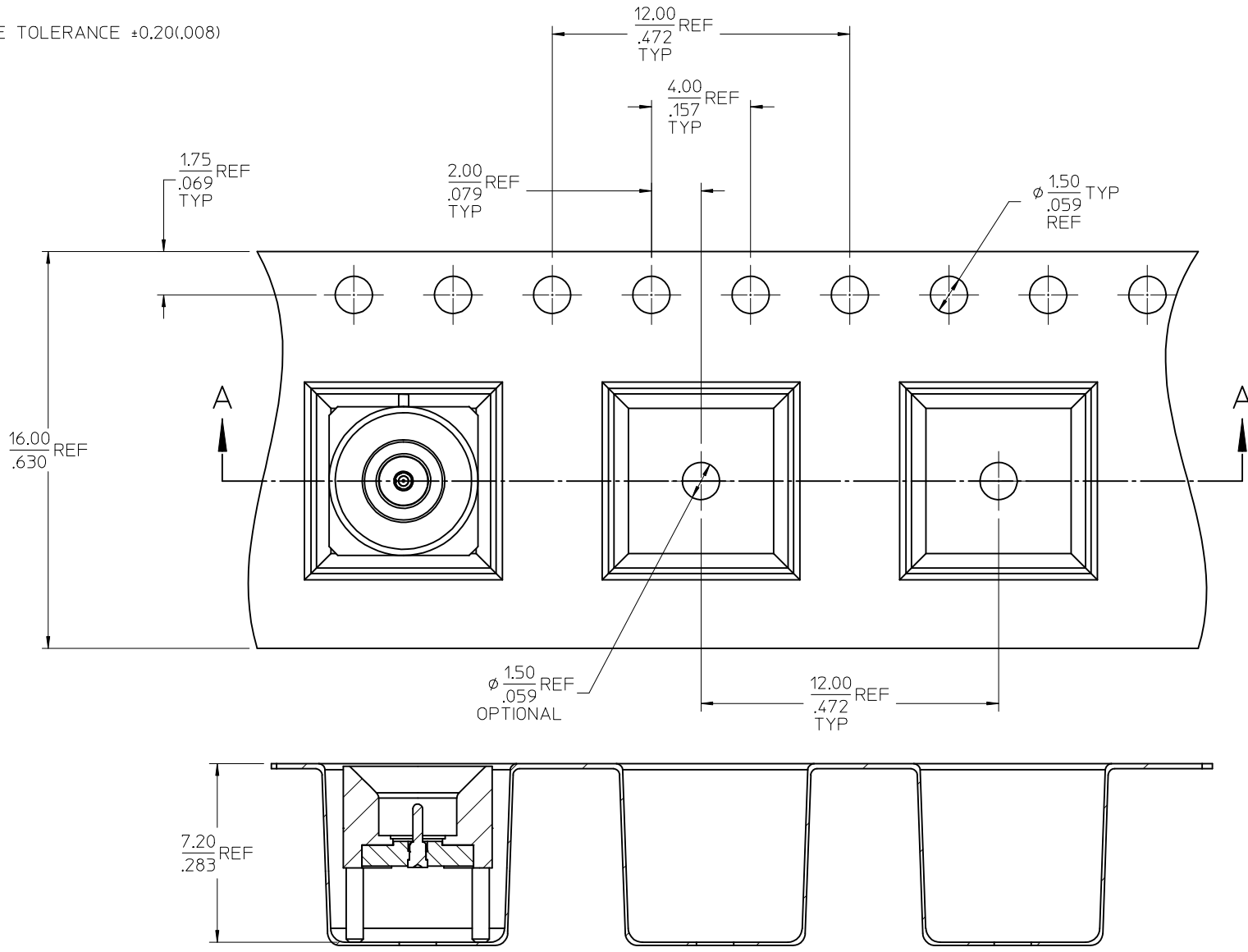
PART # 73406-0080

MIL-STD-348B, FIG. 326.4	INTERFACE
SPECIFICATION	DESCRIPTION

CHG: ADD TOLERANCE TO DIM 1.30/.051 IN G4 ZONE. EC NO: URF2017-0389 DRWN:APRAKASHO1 2017/05/19 CHKD:BBB 2017/05/19 APPR:AROBERTSON 2017/06/26	QUALITY SYMBOLS ▽=0 ▽=0 ▽=0	GENERAL TOLERANCES (UNLESS SPECIFIED)		DIMENSION STYLE	SCALE	DESIGN UNITS	THIRD ANGLE PROJECTION
		mm	INCH	MM/IN	METRIC	⊙	
REV: B2	DESCRIPTION	4 PLACES ± --- ± ---	3 PLACES ± --- ± .010	DRAWN BY DATE	TITLE	DOCUMENT NO.	SHEET NO.
		2 PLACES ± 0.25 ± ---	1 PLACE ± --- ± ---	CLL1 2007/01/09			
DRAFT WHERE APPLICABLE MUST REMAIN WITHIN DIMENSIONS		0 PLACE ± ±	ANGULAR ± 2 °	APPROVED BY DATE	THIS DRAWING CONTAINS INFORMATION THAT IS PROPRIETARY TO MOLEX INCORPORATED AND SHOULD NOT BE USED WITHOUT WRITTEN PERMISSION		
				MISEN 2007/01/09	MATERIAL NO. 734060080		

NOTE:

1. 10 PITCHES CUMULATIVE TOLERANCE ±0.20(.008)



SECTION A-A

CHG: SEE SHEET 1 EC NO: URF2017-0389 DRWN:APRKAASHO1 2017/05/19 CHKD:BBB 2017/05/19 APPR:AROBERTSON 2017/06/26 REV: B2	QUALITY SYMBOLS	GENERAL TOLERANCES (UNLESS SPECIFIED)		DIMENSION STYLE	SCALE	DESIGN UNITS	THIRD ANGLE PROJECTION
	▽=0	mm	INCH	MM/IN		METRIC	
	▽=0	4 PLACES ± ---	± ---	DRAWN BY	DATE	TITLE	
	▽=0	3 PLACES ± ---	± .010	CLLI	2007/01/09	SMP PLUG PCB SMT CONTACT SMOOTH BORE TH LEGS SMP-P/PCB	
		2 PLACES ± 0.25	± ---	CHECKED BY	DATE		
		1 PLACE ± ---	± ---	JOANNE	2007/01/09		
		0 PLACE ±	±	APPROVED BY	DATE		
				MISEN	2007/01/09		
		ANGULAR ± 2 °		MATERIAL NO.	DOCUMENT NO.		
		DRAFT WHERE APPLICABLE MUST REMAIN WITHIN DIMENSIONS		SEE SHEET 1	SD-73406-008		
				SIZE	THIS DRAWING CONTAINS INFORMATION THAT IS PROPRIETARY TO MOLEX INCORPORATED AND SHOULD NOT BE USED WITHOUT WRITTEN PERMISSION		SHEET NO. 2 OF 3

22.4
.882 MAX

LABEL:
- ORDER NO.
- QUANTITY
- PART NUMBER
- LOT NO.

75 EMPTY UNITS
MINIMUM

ORDER QUANTITY
PACKED WITH 750
COMPONENTS

40 EMPTY UNITS
MINIMUM

230.00
9.00
MIN

HANDLING DIRECTION →

∅ 62.00 ± 0.51
2.441 ± .020

∅ 330.02 ± 0.51
12.993 ± .020

16.4
.647 MIN

CHG: SEE SHEET 1	EC NO: URF2017-0389	2017/05/19
	DRWINAPRAKASHO1	2017/05/19
REV	CHKD:888	2017/06/26
	APPR:AROBERTSON	2017/06/26
DESCRIPTION	QUALITY SYMBOLS	
	▽=0	
	▽=0	
	▽=0	

GENERAL TOLERANCES (UNLESS SPECIFIED)	
mm	INCH
4 PLACES ± ---	± ---
3 PLACES ± ---	± .010
2 PLACES ± 0.25	± ---
1 PLACE ± ---	± ---
0 PLACE ±	±
ANGULAR ± 2 °	
DRAFT WHERE APPLICABLE MUST REMAIN WITHIN DIMENSIONS	

DIMENSION STYLE	
MM/IN	
DRAWN BY	DATE
CLL1	2007/01/09
CHECKED BY	DATE
JOANNE	2007/01/09
APPROVED BY	DATE
MISEN	2007/01/09
MATERIAL NO.	
SEE SHEET 1	

SCALE	DESIGN UNITS	THIRD ANGLE PROJECTION
	METRIC	
TITLE		
SMP PLUG PCB SMT CONTACT		
SMOOTH BORE TH LEGS		
SMP-P/PCB		
molex		
DOCUMENT NO.	SHEET NO.	
SD-73406-008	3 OF 3	
THIS DRAWING CONTAINS INFORMATION THAT IS PROPRIETARY TO MOLEX INCORPORATED AND SHOULD NOT BE USED WITHOUT WRITTEN PERMISSION		