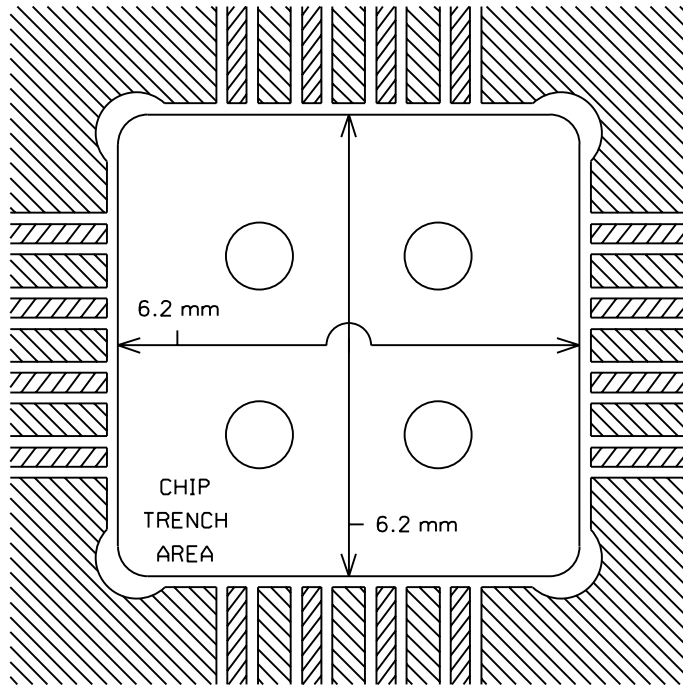

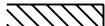


Cold Board Alpha - 6mm x 6mm Chip Trench - 20 mil Dia. Tool

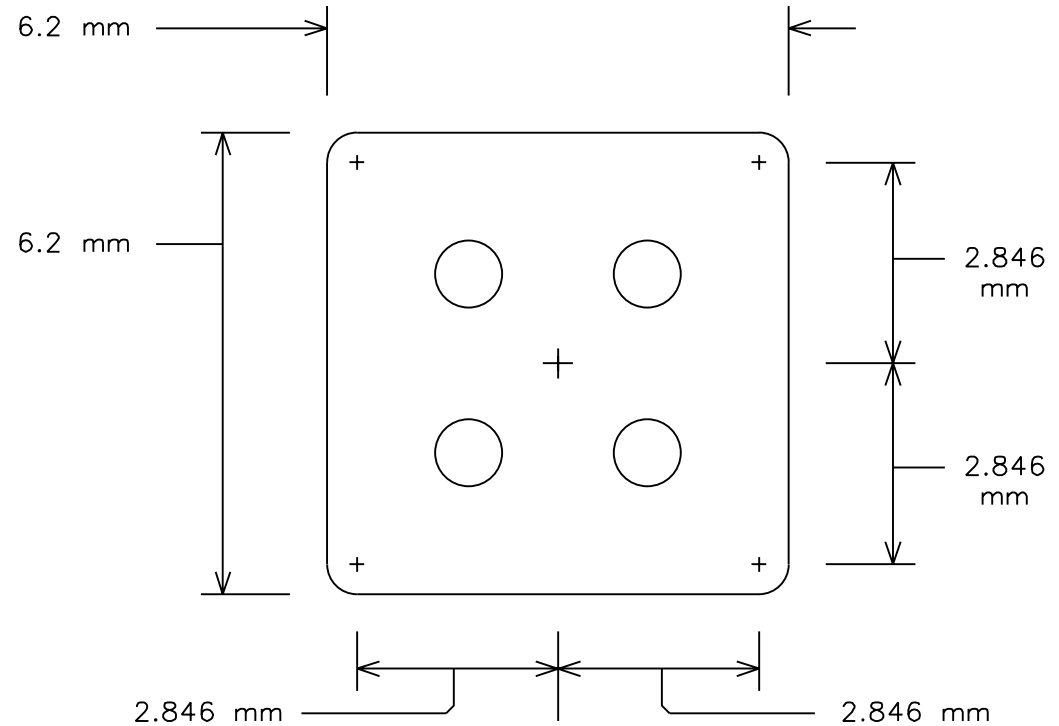
Center Part of the Alpha Cold Board



-  Signal Trace Copper
-  Ground Plane Copper

All copper has been held back from the edge of the Chip Trench by 0.15 mm.

Chip Trench Depth Cut - WITHOUT Ears



This depth cut is made using a 20 mil diameter end-mill = 0.508 mm diameter.

The four "+" signs mark the limits of the movement of the Center of the 20 mil diameter end-mill while cutting down into the pcb material to make the Square Part of the Chip Trench.