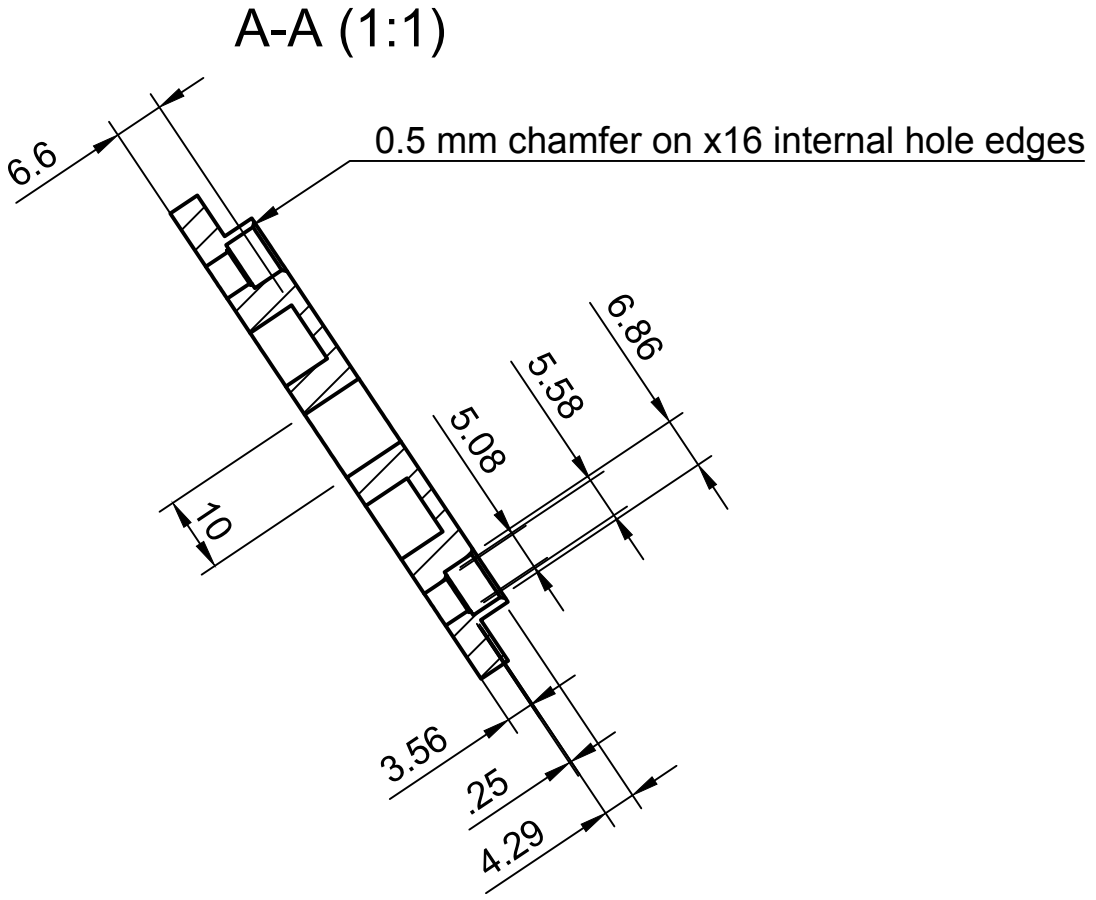
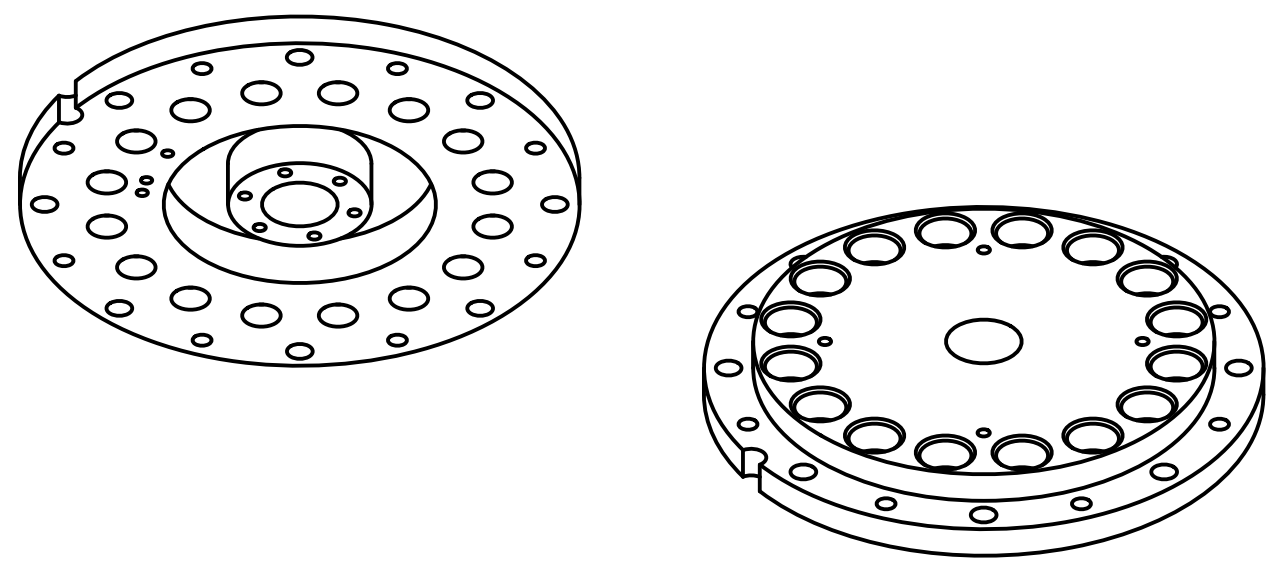
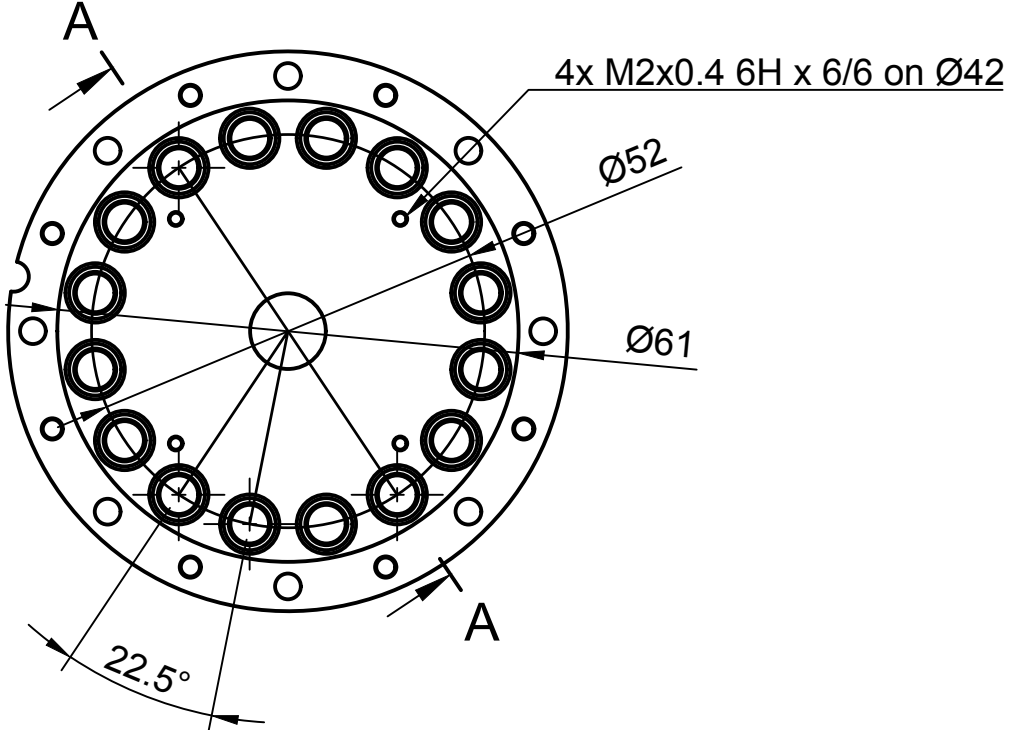
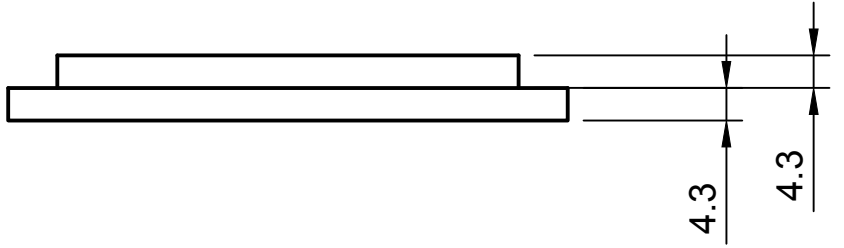
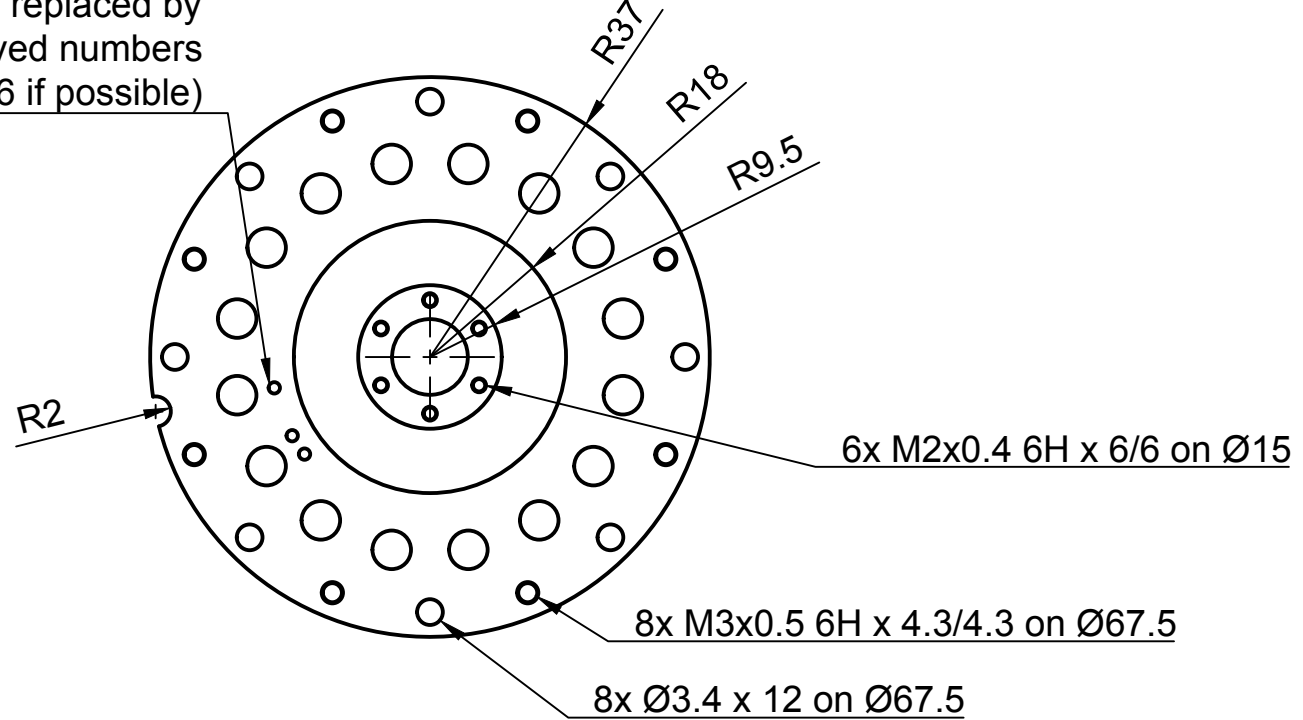


1, 2 hole pattern
to be replaced by
engaved numbers
(1-16 if possible)



Dept.	Technical reference	Created by David Rees	5/16/22	Approved by	
		Document type	Document status		
		Title Cell (Lower) OFHC Copper All dims +/- 0.05mm	DWG No.		
Rev.	Date of issue	Sheet		1/1	