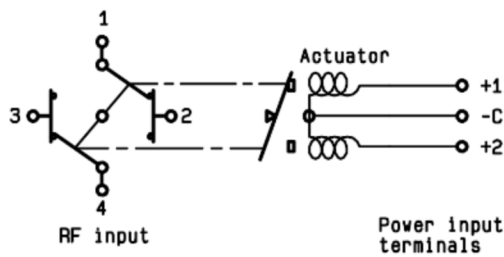


COAXIAL DPDT

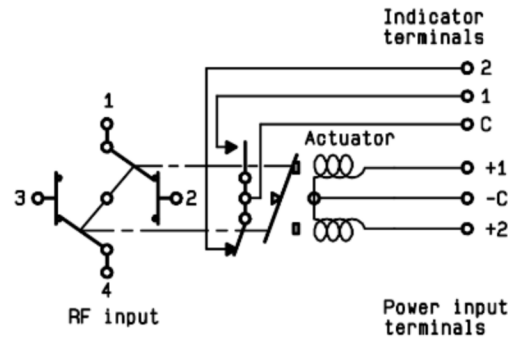
R577 SERIES

LATCHING

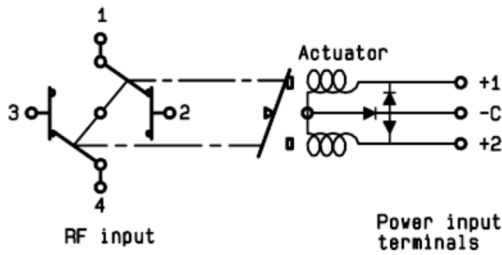
WITHOUT OPTION
R577-3-000



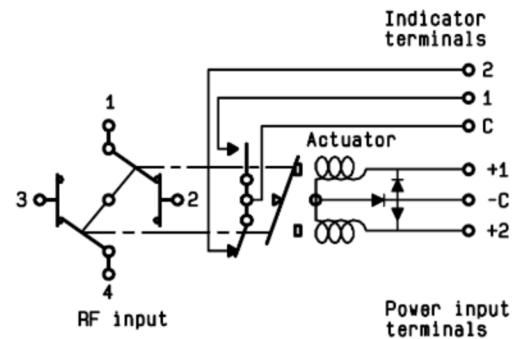
WITH INDICATOR CONTACT
R577-4-000



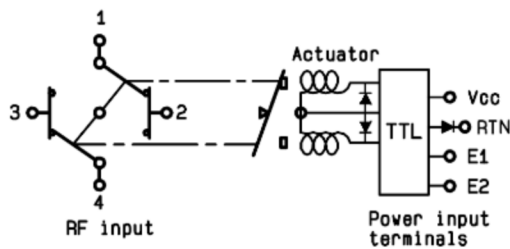
WITH SUPPRESSION DIODES
R577-3-030



WITH SUPPRESSION DIODES & INDICATOR CONTACT
R577-4-030



WITH TTL DRIVER (SUPPRESSION DIODES ARE INCLUDED)
R577-3-100



WITH TTL DRIVER & INDICATOR CONTACT
(SUPPRESSION DIODES ARE INCLUDED)
R577-4-100

