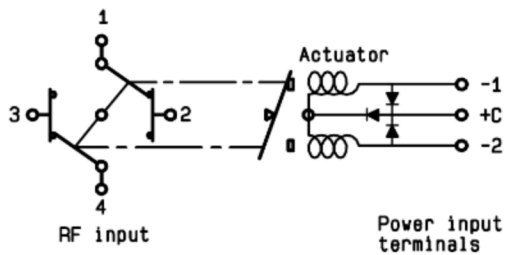


COAXIAL DPDT (CONTINUED)

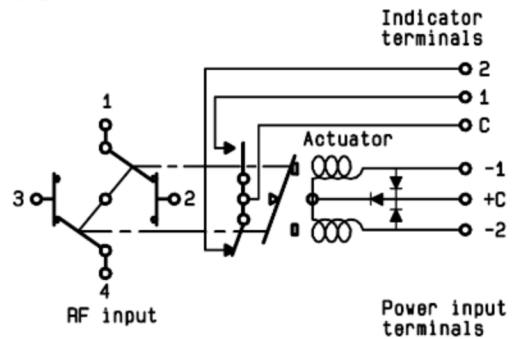
R577 SERIES

LATCHING

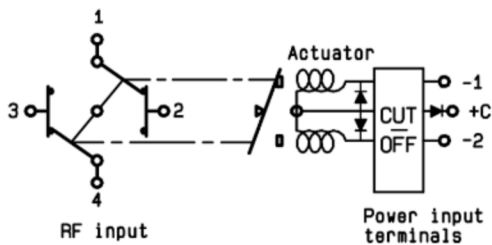
WITH POSITIVE COMMON & SUPPRESSION DIODES
R577-3-040



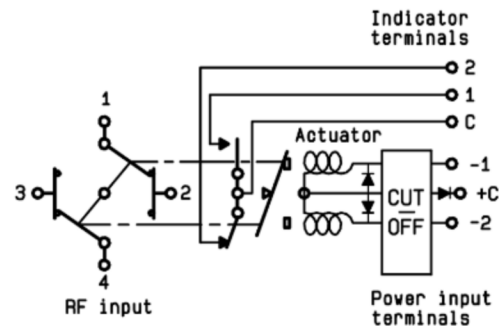
WITH POSITIVE COMMON, SUPPRESSION DIODES & INDICATOR CONTACT
R577-4-040



WITH POSITIVE COMMON & CUT-OFF
(SUPPRESSION DIODES ARE INCLUDED)
R577-5-010



WITH POSITIVE COMMON, CUT-OFF & INDICATOR CONTACT
(SUPPRESSION DIODES ARE INCLUDED)
R577-6-010



PIN IDENTIFICATION

TYPE	PIN							
	1	2	3	4	6	7	8	
Failsafe	+		-					
Failsafe + I.C.	+		-		1	2	C	
Failsafe + TTL	E		RTN	VCC				
Failsafe + I.C. + TTL	E		RTN	VCC	1	2	C	
Latching	-1 or +1	-2 or +2	+C or -C					
Latching + I.C.	-1 or +1	-2 or +2	+C or -C		1	2	C	
Latching + Cut-off	-1 or +1	-2 or +2	+C or -C					
Latching + I.C. + Cut-off	-1 or +1	-2 or +2	+C or -C		1	2	C	
Latching + Cut-off + I.C.	E2	E1	RTN	VCC				
Latching + TTL + I.C.	E2	E1	RTN	VCC	1	2	C	

