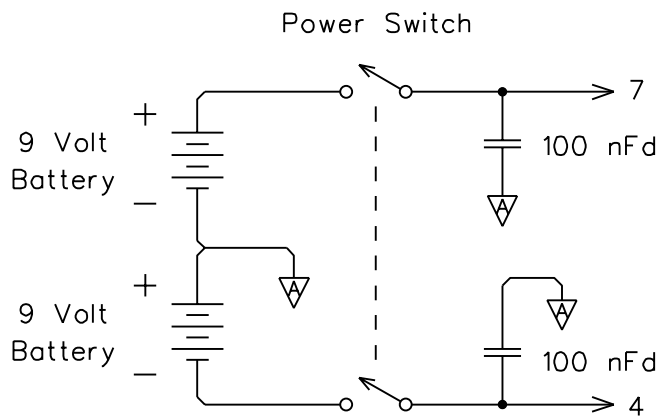
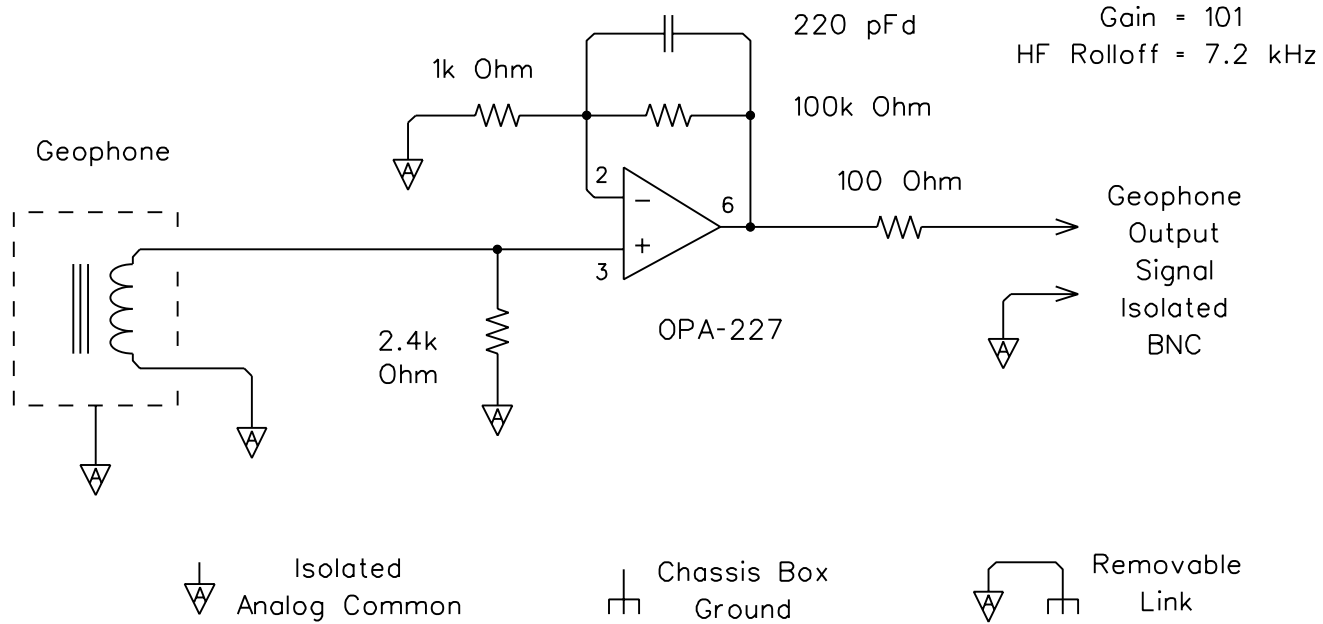


Geophone Box Electronics



Example Geophones

Model	Natural Frequency Hz	Coil Resistance Ohms	Damping Resistor Ohms	Spurious Frequency Hz	Open Circuit Sensitivity V/m/s
GS-20DX	10	395	1,000	>250	27.6
SM-24	10	375	1,339	>240	28.8
SM-4 (8)	8	375	2,257	>160	28.8
SM-4 (10)	10	375	1,339	>180	28.8
SM-4 (14)	14	375	645	>190	28.8