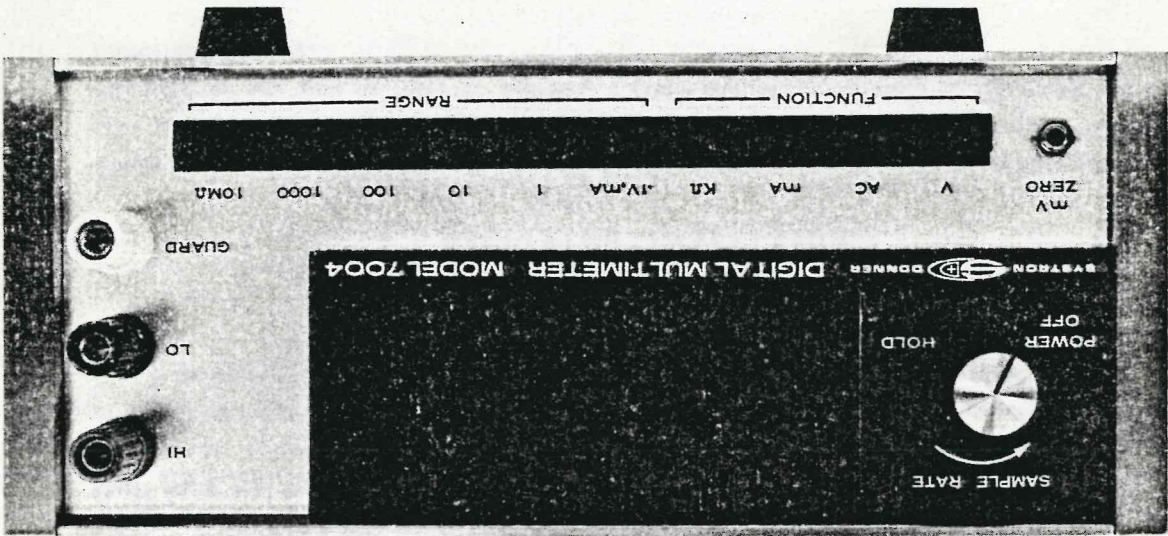


MODEL 7004
DIGITAL MULTIMETER
SERIAL NO. E



INSTRUCTION MANUAL

Division

7004

Concord Instrument

CONCORD, CALIFORNIA

Whenever a Systron-Donner instrument requires service, the nearest Systron-Donner representative should be contacted; all representatives will provide immediate service or arrange factory returns when necessary. Please specify both model and serial number in all correspondence concerning Systron-Donner instruments. Address all inquiries on operation or applications to your nearest sales representative or Sales Manager, Instruments, Systron-Donner Corporation, 888 Galindo Street, Concord, California.

REPAIRS

Every Systron Donner instrument is carefully inspected and is in perfect working order at the time of shipment. Each instrument should be checked as soon as received. If the unit is damaged in any way or fails to operate, a claim should immediately be filed with the transportation company.

RECEIVING INSPECTION

Systron-Donner instruments are warranted during a period of one year from date of shipment to original purchaser to be free from defects in material and workmanship. This warranty does not apply to vacuum tubes, except as they are warranted by tube manufacturers. The liability of Seller under this warranty is limited to replacing or repairing any instrument or component thereof which is returned by Buyer at his expense during such period and which has not been subjected to misuse, neglect, improper installations, repair, alteration, or accident. Seller shall have the right of final determination as to the existence and cause of a defect. In no event shall Seller be liable for collateral or consequential damages. This warranty is in lieu of any other warranty, express, implied or statutory, and no agreement extending or modifying it will be binding upon Seller unless in writing and signed by a duly authorized officer.

WARRANTY



A2, SWITCH P.C. ASSEMBLY #D37217-4-1F
A2, SWITCH BOARD SCHEMATIC #D37217-7-1F (Sheet 1 of 2)
A2, SWITCH BOARD SCHEMATIC #D37217-7-1F (Sheet 2 of 2)
A2, SWITCH BOARD PARTS LIST #P/L37217-8-1G

Replace the drawings and parts list on pages 7-8, 7-9, 7-10, and 6-5 with the following:
Omit the POWER FUSE from the A2 printed circuit board on page 4-5 and show it on the rear panel page 3-2.

STEP ADJUST:
Remove short across the input and apply +10 mv dc (10 counts). Adjust STEP ADJ potentiometer A2R83 to read +10 counts. Next, apply -10 mv dc (10 counts). The readout should display -10 counts. If not, adjust ZERO DET potentiometer A2R71 until the + and - readings are equal, then readjust STEP ADJ potentiometer A2R83 until ± 10 counts are obtained with a ± 10 mv dc input.

DETECTOR ZERO:
Adjust ZERO DET potentiometer A2R71 until the polarity sign flashes on and off intermittently.

INTEGRATOR ZERO:
Place the FUNCTION and RANGE switches to the 10 V DC position. Monitor the integrator output, INT AMP OUT, at A2TP8 with respect to INPUT LOW with an oscilloscope. Adjust the INT ZERO potentiometer A2R132 until a minimum amplitude ramp is observed. The ramp slope should increase in either a + or - direction depending on potentiometer rotation from the proper zero setting.

With the instrument still on the .1 V DC RANGE, adjust the DC OFFSET potentiometer A2R27 to adjust the main amplifier output to 0.0 V ± 5 mv dc. Measure the voltage with a DVM between the INPUT LOW terminal, and the MAIN AMP OUT test point A2TP6. If the DC OFFSET potentiometer does not have sufficient range, adjust the I.C. potentiometer A2R25 toward the center of its range or until a zero can be obtained.

Replace paragraphs 4) and 5) on page 4-6 with the following:

ADDENDUM A
MODEL 7004
(ISSUE E MANUAL ONLY)

Ref.	Description	Part No.
A2	Switch P.C. Board Assembly	D37217-4-1
	Switch P.C. Schematic	D37217-7-1
C1	Capacitor, .1 μ F, 600 V	C0791
C2	Capacitor, 7100 μ F, 10 V	C1188
C3	Capacitor, .22 μ F, 600 V	03286700
C4	Capacitor, 500 μ F, 50 V	C1243
C5	Capacitor, .047 μ F, 600 V	C0793
C6	Capacitor, .047 μ F, 600 V	C0793
C7	Capacitor, 100 pF, 500 V	C0536
C8	Capacitor, 500 μ F, 50 V	C1243
C9	Capacitor, Factory Selected	Cxxxx
C10	Capacitor, .1 μ F, 50 V	C0881
C11	Capacitor, 220 pF, 500 V	C0538
C12	Capacitor, .05 μ F, 100 V	C0708
C13	Capacitor, 390 pF, 500 V	C0871
C14	Capacitor, .05 μ F, 100 V	C0708
C15	Not used	
C16	Capacitor, .05 μ F, 100 V	C0708
C17	Capacitor, 390 pF, 500 V	C0871
C18	Capacitor, .1 μ F, 50 V	C0881
C19	Capacitor, .05 μ F, 100 V	C0708
C20	Capacitor, .1 μ F, 200 V Met MY1.	C0382
C21	Capacitor, .05 μ F, 100 V	C0708
C22	Capacitor, 100 pF, 500 V	C0536
C23	Capacitor, .1 μ F, 200 V, Met. MY1.	C0382
C24	Capacitor, 390 pF, 500 V	C0871
C25	Capacitor, .1 μ F, 200 V, Met MY1.	C0382
C26	Capacitor, .1 μ F, 200 V, Met MY1.	C0382
C27	Capacitor, 390 pF, 500 V	C0871
C28	Capacitor, .05 μ F, 100 V	C0708
C29	Capacitor, .05 μ F, 100 V	C0708
C30	Capacitor, 33 pF, 500 V	C0531
C31	Capacitor, 5 pF, 500 V	C1071
C32	Capacitor, .8 - 8.5 pF, Trim	C1291
C33	Capacitor, .05 μ F, 100 V	C0708
C34	Capacitor, 560 pF, 300 V	C0644
C35	Capacitor, .05 μ F, 100 V	C0708
C36	Capacitor, .05 μ F, 100 V	C0708
C37	Not used	
C38	Capacitor, 33 pF, 500 V	C0531
C39	Not used	

A2 SWITCH P.C. ASSEMBLY PARTS LIST (Cont'd)

SD

A2 SWITCH P.C. ASSEMBLY PARTS LIST (Cont'd)

Ref.	Description	Part No.
C40	Capacitor, .05 μ F, 100 V	C0708
C41	Capacitor, 1 μ F, 50 V	C1272
C42	Capacitor, .01 μ F, 100 V	C1295
C43	Capacitor, 1000 pF, 300 V	C1144
C44	Capacitor, .001 μ F, D.M.	C0742
C45	Not used	
C46	Not used	
C47	Capacitor, .8 - 4.5 pF, Trim	03270200
C48	Capacitor, .8 - 4.5 pF, Trim	03270200
C49	Capacitor, .8 - 4.5 pF, Trim	03270200
C50	Capacitor, 10 pF, 500 V	C0527
C51	Capacitor, 10 pF, 500 V	C0527
C52	Capacitor, 68 pF, 500 V	C0635
C53	Capacitor, .05 μ F, 100 V	C0708
C54	Capacitor, .1 μ F, 1.2 KV	03286130
C55	Capacitor, .05 μ F, 100 V	C0708
C56	Capacitor, .05 μ F, 100 V	C0708
C57	Capacitor, Factory Selected	Cxxxx
CR1	Diode, 1N4005	CR0284
CR2	Diode, 1N4005	CR0284
CR3	Diode, 1N4005	CR0284
CR4	Diode, 1N4005	CR0284
CR5	Diode, 1N4005	CR0284
CR6	Diode, 1N4005	CR0284
CR7	Diode, 1N4005	CR0284
CR8	Diode, 1N4151	CR0150
CR9	Diode, 1N4151	CR0150
CR10	Diode, 1N4151	CR0150
CR11	Diode, 1N4151	CR0150
CR12	Diode, 1N4151	CR0150
CR13	Diode, 1N4151	CR0150
CR14	Diode, 1N4151	CR0150
CR15	Diode, 1N4005	CR0284
CR16	Diode, 1N4005	CR0284
CR17	Diode, 1N4005	CR0284
CR18	Diode, 1N4005	CR0284
CR19	Diode, 1N4005	CR0284
CR20	Diode, 1N4005	CR0284
CR21	Diode, 1N4005	CR0284

Ref.	Description	Part No.
R1	Fuse, 1-1/2 A	F0046
R2	Not Used	
R3	Fuse, 1/64 A, Pigtail	F0069
Q1	Resistor, 500 Ω, .1%, .3 W	Q0302
Q2	Resistor, 2N3638	Q0181
Q3	Not Used	
Q4	Resistor, 2N2905	Q0259
Q5	Resistor, 500 Ω, .1%, .3 W	Q0302
Q6	Resistor, 2N4023	26013950
Q7	Resistor, 2N3694	26012660
Q8	Resistor, 2N4917	26014620
Q9	Resistor, 2N3694	26012660
Q10	Resistor, 500 Ω, .1%, .3 W	Q0302
Q11	Resistor, 2N3694	26012660
Q12	Resistor, 2N4093	Q0301
Q13	Resistor, 2N4093	Q0301
Q14	Resistor, 2N4093	Q0301
Q15	Resistor, 2N4393	Q0316
Q16	Resistor, 2N3568	Q0180
Q17	Resistor, 2N3568	Q0180
Q18	Resistor, 2N3568	Q0180
Q19	Resistor, 2N3568	Q0180
Q20	Resistor, 2N3638	Q0181
Q21	Resistor, 2N3638	Q0181
Q22	Resistor, 2N3638	Q0181
Q23	Resistor, 2N3638	Q0181
Q24	Resistor, 2N3072	26008560
Q25	Resistor, 2N3694	26012660
Q26	Resistor, 2N3440	Q0319
Q27	Not Used	
Q28	Resistor, 2N6103	Q0317
Q29	Resistor, 2N3694	26012660
Q30	Resistor, 2N4250	26014430
R1	Resistor, Factory Selected	Rxxxx
R2	Resistor, 900 Ω, .1%, .3 W	R2807
R3	Resistor, 90 Ω, .1%, .3 W	R2808
R4	Resistor, 9 Ω, .1%, .3 W	R2809
R5	Resistor, 1 Ω, .1%, .5 W	R2810
R6	Not Used	
R7	Resistor, 560 k, 5%, 1/2 W	02031140
R8	Resistor, 8.87 M, 1%, 2 W	R2851

A2 SWITCH P.C. ASSEMBLY PARTS LIST (Cont'd)

SD

A2 SWITCH P.C. ASSEMBLY PARTS LIST (Cont'd)

Ref.	Description	Part No.
R9	Resistor, 500 k, potentiometer	R2847
R10	Resistor, 887 k, 1/4 W	R2848
R11	Resistor, 50 k, potentiometer	R2783
R12	Resistor, 88.7 k, 1/4 W	R2845
R13	Resistor, 5 k, potentiometer	01111360
R14	Resistor, 8.87 k, 1/4 W	R2840
R15	Resistor, 500 Ω , potentiometer	R2821
R16	Resistor, 1 k, .05%, 1/4 W	R2832
R17	Resistor, 430 k, 5%, 1/2 W	R0276
R18	Resistor, 430 k, 5%, 1/2 W	R0276
R19	Resistor, 3.6 k, 5%, 1/4 W	R0938
R20	Resistor, 5.62 k, 1%, 1/8 W	R2837
R21	Resistor, 35.7 k, 1%, 1/4 W	R2853
R22	Resistor, 470 Ω , 5%, 1/4 W	R1044
R23	Resistor, 8.199 k, 1%, 1/4 W	R2839
R24	Resistor, 820 Ω , 5%, 1/4 W, Selected	Rxxxx
R25	Resistor, 1 k, potentiometer	R2816
R26	Resistor, 35.7 k, 1%, 1/4 W	R2853
R27	Resistor, 50 Ω , potentiometer	R2822
R28	Resistor, 10 k, 1%, 3 W	02421000
R29	Resistor, 330 Ω , 5%, 1/4 W	R0662
R30	Resistor, 5.6 Ω , 5%, 1/4 W	R2498
R31	Resistor, 15 k, 1%, 1/4 W	R2073
R32	Resistor, 2.2 k, 5%, 1/4 W	R0749
R33	Resistor, 1.5 k, 5%, 1/4 W	R0783
R34	Resistor, 1 M, 5%, 1/4 W	R0962
R35	Resistor, 10 k, 1%, 1/4 W	R2405
R36	Resistor, 500 Ω , potentiometer	R2821
R37	Resistor, 3.74 k, 1%, 1/4 W	R2824
R38	Resistor, 3 k, 5%, 1/4 W	R0711
R39	Resistor, 3 k, 5%, 1/4 W	R0711
R40	Resistor, 100 Ω , 5%, 1/4 W	R0966
R41	Resistor, 100 Ω , 5%, 1/4 W	R0966
R42	Resistor, 50 k, potentiometer	R2783
R43	Resistor, 965 k, 1%, 1/4 W	R2849
R44	Resistor, 10 k, 1%, 1/4 W	R2405
R45	Resistor, 2 k, 5%, 1/4 W	R0734
R46	Resistor, 5 k, potentiometer	01111360
R47	Resistor, 88.7 k, 1%, 1/4 W	R2845
R48	Resistor, 5.03 k, 1%, 1/4 W	R2530

SD

Ref.	Description	Part No.
R49	Resistor, 1 k, 5%, 1/4 W	R0765
R50	Resistor, 500 Ω , potentiometer	R2821
R51	Resistor, 1.47 k, 1%, 1/4 W	R2833
R52	Resistor, 499 Ω , 1%, 1/4 W	R2831
R53	Resistor, 301 Ω , 1%, 1/4 W	R2830
R54	Resistor, 8.06 k, 1%, 1/4 W	R2570
R55	Resistor, 1 M, 1%, 1/4 W	R2371
R56	Resistor, 1 M, 1%, 1/4 W	R2371
R57	Resistor, 10 k, 1%, 1/4 W	R2405
R58	Resistor, 2.74 k, 1%, 1/4 W	R1981
R59	Resistor, 200 Ω , potentiometer	R2722
R60	Resistor, 1 M, 1%, 1/4 W	R2371
R61	Resistor, 1 M, 1%, 1/4 W	R2371
R62	Resistor, 221 Ω , 1%, 1/4 W	R2829
R63	Resistor, 20 Ω , potentiometer	R2784
R64	Resistor, 35.7 k, 1%, 1/4 W	R2853
R65	Not Used	
R66	Resistor, 1 k, 5%, 1/4 W	R0765
R67	Resistor, 1 k, 5%, 1/4 W	R0765
R68	Resistor, 49.9 k, 1%, 1/4 W	R2844
R69	Resistor, 49.9 k, 1%, 1/4 W	R2844
R70	Resistor, 100 k, 1%, 1/4 W	R2846
R71	Resistor, 50 k, potentiometer	R2783
R72	Resistor, 35.7 k, 1%, 1/4 W	R2853
R73	Resistor, 1 k, 5%, 1/4 W	R0765
R74	Resistor, 1 k, 5%, 1/4 W	R0765
R75	Resistor, 1 M, 5%, 1/4 W	R0962
R76	Resistor, 4.7 k, 5%, 1/4 W	R0892
R77	Resistor, 220 k, 5%, 1/4 W	R0967
R78	Resistor, 270 Ω , 5%, 1/4 W	R0694
R79	Resistor, 1.62 k, 1%, 1/4 W	R2834
R80	Resistor, 3.16 k, 1%, 1/4 W	R2836
R81	Resistor, 220 k, 5%, 1/4 W	R0967
R82	Resistor, 1 M, 5%, 1/4 W	R0962
R83	Resistor, 2 k, potentiometer	R2721
R84	Resistor, 50 Ω , potentiometer	R2822
R85	Resistor, 35.7 k, 1%, 1/4 W	R2853
R86	Resistor, 35.7 k, 1%, 1/4 W	R2853
R87	Resistor, 4.7 k, 5%, 1/4 W	R0892
R88	Resistor, 6.19 k, 1%, 1/4 W	R2838

A2 SWITCH P.C. ASSEMBLY PARTS LIST (cont'd)

SD

A2 SWITCH P.C. ASSEMBLY PARTS LIST (Cont'd)

SD
Part No.

Ref.	Description	Part No.
R89	Resistor, 15.8 k, 1%, 1/4 W	R2878
R90	Resistor, 3.3 k, 5%, 1/4 W	R0742
R91	Resistor, 100 k, 5%, 1/4 W	R0741
R92	Resistor, 100 k, 5%, 1/4 W	R0741
R93	Resistor, 100 k, 5%, 1/4 W	R0741
R94	Resistor, 100 k, 5%, 1/4 W	R0741
R95	Resistor, 20 k, 1%, 1/2 W	02379680
R96	Resistor, 100 Ω, 1%, 1/4 W	R2620
R97	Resistor, 100 Ω, 1%, 1/4 W	R2620
R98	Resistor, 100 Ω, 1%, 1/4 W	R2620
R99	Resistor, 100 Ω, 1%, 1/4 W	R2620
R100	Resistor, 100 Ω, 1%, 1/4 W	R2620
R101	Resistor, 100 Ω, 1%, 1/4 W	R2620
R102	Resistor, 100 Ω, 1%, 1/4 W	R2620
R103	Resistor, 100 Ω, 1%, 1/4 W	R2620
R104	Resistor, 100 Ω, 1%, 1/4 W	R2620
R105	Resistor, 100 Ω, 1%, 1/4 W	R2620
R106	Resistor, 15.8 k, 1%, 1/4 W	R2878
R107	Resistor, 1.0010 k, Part of Set	37225-6-1
R108	Resistor, 10.101 k, Part of Set	37225-6-1
R109	Resistor, 111.11 k, Part of Set	37225-6-1
R110	Resistor, 1 M, Part of Set	37225-6-1
R111	Resistor, 560 Ω, 5%, 1/4 W	R0819
R112	Resistor, 100 Ω, 1%, 1/4 W	R2620
R113	Resistor, 100 Ω, 5%, 1/4 W	R0966
R114	Resistor, 1 k, 5%, 1/4 W	R0765
R115	Resistor, 3.3 k, 5%, 1/4 W	R0742
R116	Resistor, 3.3 k, 5%, 1/4 W	R0742
R117	Resistor, 3.3 k, 5%, 1/4 W	R0742
R118	Resistor, 3.3 k, 5%, 1/4 W	R0742
R119	Resistor, 1 M, 1%, 1/2 W	02381310
R120	Resistor, 1 M, 1%, 1/2 W	02381310
R121	Not Used	
R122	Resistor, 100 Ω, 1%, 1/4 W	R2620
R123	Resistor, 820 Ω, 5%, 1/4 W	R0762
R124	Not Used	
R125	Resistor, 15 k, 5%, 1/4 W	R0728
R126	Resistor, 15 k, 5%, 1/4 W	R0728
R127	Resistor, 15 k, 5%, 1/4 W	R0728
R128	Resistor, 15 k, 5%, 1/4 W	R0728
R129	Resistor, 1 k, 5%, 1/4 W	R0765

Ref.	Description	Part No.
R130	Resistor, 100 Ω , 5%, 1/4 W	R0966
R131	Resistor, 15.8 k, 1%, 1/4 W	R2878
R132	Resistor, 50 Ω , Potentiometer	R2822
R133	Resistor, 100 Ω , 1%, 1/4 W	R2620
R134	Resistor, 1 k, 5%, 1/4 W	R0765
R135	Resistor, 3.01 k, 1%, 1/4 W	R2338
S1	Switch, Push-button	S0411
S2	Switch, Push-button	S0411
S3	Switch, Push-button	S0411
S4	Switch, Push-button	S0411
S5	Switch, Push-button	S0411
S6	Switch, Push-button	S0411
S7	Switch, Push-button	S0411
S8	Switch, Push-button	S0411
S9	Switch, Push-button	S0411
S10	Switch, Push-button	S0411
TP1	Test Point, Brown	E0235
TP2	Test Point, Black	E0234
TP3	Test Point, Orange	E0237
TP4	Test Point, Yellow	E0238
TP5	Test Point, Green	E0239
TP6	Test Point, Blue	E0240
TP7	Test Point, Violet	E0241
TP8	Test Point, Grey	E0100
U1	Integrated Circuit, LM301A	025745
U2	Integrated Circuit, LM301A	025745
U3	Integrated Circuit, LM301A	025745
U4	Integrated Circuit, μ A723	025761
U5	Integrated Circuit, μ A723	025761
U6	Integrated Circuit, LM301A	025745
U7	Integrated Circuit, LM311	025792
VR1	Diode Zener, FZ902	26015850
VR2	Diode Zener, FZ902	26015850
VR3	Diode Zener, Selected 2N3640	26015850
VR4	Diode Zener, 1N959B	37486
VR5	Diode Zener, 1N827	CR0346
VR6	Diode Zener, FZ902	CR0162
VR7	Diode Zener, FZ902	26015850
VR8	Diode Zener, FZ902	26015850
VR9	Not Used	26015850

A2 SWITCH P.C. ASSEMBLY PARTS LIST (Cont'd)

SD

A2 SWITCH P.C. ASSEMBLY PARTS LIST (cont'd)

Ref.	Description	Part No.
VR10	Diode Zener, FZ902	26015850
VR11	Diode Zener, 1N753A	CR0163
VR12	Diode Zener, 1N753A	CR0163
VR13	Not used	
VR14	Diode Zener, FZ902	26015850
VR15	Diode Zener, 1N753A	CR0163
VR16	Diode Zener, 1N968B	CR0265
VR17	Diode Zener, 2N3640, Selected	37591
	Terminal, Insulated	61024460
	Heat Sink	H2050
	Transistor Pad	H0515
	I.C. Socket (U4 & U5)	X0184
	I.C. Insulator (U4 & U5)	39466-04

SD

TABLE OF CONTENTS

Page

CHAPTER 1 - GENERAL INFORMATION

1-1	Introduction	1.1
1-1	Specifications	1.2
1-5	Optional Features	1.3

CHAPTER 2 - INSTALLATION

2-1	Introduction	2.1
2-1	Receiving Inspection	2.2
2-1	Reshipment	2.3
2-2	Power Requirements	2.4
2-2	Acceptance Test Procedure	2.5

CHAPTER 3 - OPERATION

3-1	Introduction	3.1
3-1	Controls, Connectors and Indicators	3.2
3-1	Front Panel	3.2.1
3-1	Rear Panel	3.2.2
3-3	Operating Procedures	3.3
3-6	Sample Rate and Hold Control	3.3.1
3-6	Guard Terminal	3.3.2
3-6	Overload Protection	3.3.3
3-7	mV zero Adjustment	3.3.4

CHAPTER 4 - MAINTENANCE

4-1	Introduction	4.1
4-1	Factory Service	4.2
4-1	Routine Maintenance	4.3
4-1	Printed-Circuit Board Repair	4.4
4-2	Test Equipment	4.5
4-3	Calibration Procedures	4.6
4-4	Power Supply Voltages	4.6.1
4-4	Calibration	4.6.2

CHAPTER 5 - THEORY OF OPERATION

5-1	Introduction	5.1
5-1	Dual-Slope Integration	5.2
5-1	A1, Count Chain & Readout.	5.3
5-2	A2, Switch Board	5.4
5-3	DC Amplifier/DC Current	5.4.1
5-3	AC to DC Converter	5.4.2
5-4	Ohms Circuit	5.4.3
5-5	Analog to Digital Converter	5.4.4
5-6	Power Supply	5.4.5

TABLE OF CONTENTS (Cont'd)

Page

CHAPTER 6 - PARTS LISTS

6-1	7004 Final Assembly	D37190-7-1
6-2	A1, Count Chain & Readout P.C. Assembly	D37215-4-1
6-5	A2, Switch P.C. Assembly	D37217-4-1

CHAPTER 7 - DRAWINGS

7-1	Model 7004 Block Diagram	D37190-7-1
7-2	Model 7004 Test Assembly	D37197-4-1
7-3	Model 7004 Front Panel Assembly	C37198-4-1
7-4	Model 7004 Rear Panel Assembly	C37211-4-1
7-5	Model 7004 Final Assembly	D37190-4-1
7-6	A1, Count Chain & Readout P.C. Assembly	D37215-4-1
7-7	A1, Count Chain & Readout Schematic	D37215-7-1
7-8	A2, Switch P.C. Assembly	D37217-4-1
7-9	(Sheet 1 of 2)	D37217-7-1
7-10	(Sheet 2 of 2)	D37217-7-1

CHAPTER 8 - OPTIONS AND ACCESSORIES

8-1	Introduction	8.1
8-1	Option 05, Digital Outputs	8.2
8-3	Option 09, Battery Pack	8.3
8-3	DC to AC Inverter	8.3.1
8-5	Accessories	8.4
8-5	Input Test Leads	8.4.1
8-5	Single Rack Mount Kit	8.4.2
8-5	Dual Rack Mount Kit	8.4.3
8-5	Front Panel Snap Cover	8.4.4
8-6	05 Option BCD Assembly Parts List	C37218-4-1
8-7	09 Option Battery Pack P.C. Board Parts List	D37469-4-1
8-7	09 Option Battery Pack Assembly Parts List	D37219-4-1
8-9	Parts List	8.3
8-10	Accessory, Single Rack Mount Kit	8.3.1
8-11	Accessory, Dual Rack Mount Kit	8.4
8-12	Parts List	8.4.1
8-12	Accessory, Front Panel Snap Cover	8.4.2
8-13	Parts List	8.4.3
8-14	Option 05, BCD Assembly	8.4.4
8-15	Option 05, BCD Schematic	8.4.1

TABLE OF CONTENTS (Cont'd)

Page

CHAPTER 8 - OPTIONS AND ACCESSORIES (Cont'd)

Option 09, A3, Battery Pack	D37469-4-1	8-16
P.C. Assembly	C37469-7-1	8-17
Option 09, A3, Battery Pack Schematic	D37219-4-1	8-18
Option 09, Battery Pack Assembly	C37232-4-1	8-19
Accessory, Input Test Leads Assembly	C45410	8-20
Accessory, Single Rack Mount Assembly	C37492-4-1	8-21
Accessory, Dual Rack Mount Assembly	C37229-4-1	8-22
Accessory, Front Panel Snap Cover		
Assembly		

LIST OF FIGURES

Front Panel, Model 7004	3.1	Figure
Rear Panel, Model 7004	3.2	
Location, Calibration Controls	4.1	
Typical Temp. Comp. Graph	4.2	

LIST OF TABLES

Acceptance Test Procedure	2.1	Table
Front Panel Functions	3.1	
Rear Panel Functions	3.2	
Operating Procedures	3.3	
Test Equipment for Model 7004	4.1	
Power Supply Voltages	4.2	
Resistance Calibration	4.3	
DC Voltage Calibration	4.4	
DC Current Calibration	4.5	
AC Current Calibration	4.6	
BCD Pin Assignments	8.1	

GENERAL INFORMATION

CHAPTER 1

1.1 INTRODUCTION

The SD Model 7004 Digital Multimeter is a full four-digit precision instrument. It offers the five selectable functions of dc voltage, ac voltage, ac current, dc current and resistance. The instrument utilizes an advanced Dual-Slope Integration design with an extremely low-noise input amplifier and a fully guarded, isolated input circuit. These features combine to provide high accuracy and stability, plus exceptional immunity to the effects of both common mode and normal mode noise.

All function and range selection is made from front-panel push-button controls. The readout features a nonblinking display of four full digits plus overrange, auto-positioned decimal point, and an indicator for off-scale readings. Polarity indication for dc voltage and current is automatic with a minus indicator display.

Model 7004 is light-weight and completely portable. It consumes less than 8 watts while operating at line frequencies from 48 to 440 Hz and at voltages of 115/230 V or 100/200 V. The Multimeter may be fitted with an optional built-in battery pack with no increase in size. Optional DTL/TTL compatible digital outputs can also be included for remote printout, digital limit comparison, or other automatic data system requirements.

1.2 SPECIFICATIONS

DC VOLTS

Range:

± 1.0000 V, ± 1.0000 V, ± 10.000 V, ± 100.00 V, ± 1000.0 V.

Resolution:

± 10 μ V to ± 0.1 V in decade steps depending on range.

Overrange:

30% on all ranges except on 1000 V range. Maximum readings are ± 13000 V, ± 13000 V, ± 13000 V, ± 1300.00 V and ± 1000.0 V at full accuracy.

Polarity Selection:

Automatic with minus indicator.

Input Impedance:

>1000 M Ω on 0.1 V, 1 V, and 10 V ranges. 10 M Ω on 100 V and 1000 V ranges.

Accuracy:

All ranges except 0.1 V range (25±5°C):
±0.01% rdg. ±0.01% f.s. for 1 month.
±0.02% rdg. ±0.01% f.s. for 3 months.
0.1 V range (25±1°C):
±0.02% rdg. ±0.02% f.s. for 1 month.

All ranges except 0.1 V range;
±0.001% rdg. ±0.001% f.s./°C.
0.1 V range;
±0.005% rdg. ±0.01% f.s./°C.

1 second to rated accuracy.

Full-Scale Step Response:

>60 dB at 60 Hz.

Normal Mode
Noise Rejection:

>120 dB at dc; 100 dB from 49 Hz to
1 kHz with 1 kΩ source unbalance.

Common Mode
Noise Rejection:

±1000 volts on any range without
damage.

Maximum Input:

DC CURRENT

Ranges:

±1.0000 mA, ±1.0000 mA, ±10.000 mA,
±100.00 mA, ±1000.0 mA.

Resolution:

±10 nA to ±0.1 mA in decade steps
depending on range.

Overrange:

30% on all ranges. Maximum readings
are ±13000 mA, ±1.3000 mA, ±13.000
mA, ±130.00 mA and ±1300.0 mA at
full accuracy.

Polarity Selection:

Automatic with minus indicator.

Configuration:

Shunts, internal to instrument.

Accuracy:

All ranges except 0.1 mA range (25±5°C):
±0.1% rdg. ±0.01% f.s. for 3 months.
0.1 mA range (25±1°C):
±0.1% rdg. ±0.04% f.s. for 3 months.

Temperature Stability
(0°C to 50°C):

±0.005% rdg. ±0.002% f.s./°C.

Full Scale Step Response:

1 second to rated accuracy.

Normal Mode
Noise Rejection:

>60 dB at 60 Hz.

DC CURRENT (Cont'd)

Common Mode

Noise Rejection:

Maximum Input:

>120 dB at dc; 100 dB from 49 Hz to 1 kHz with 1 kΩ source unbalance. 100% above range selected without damage.

AC VOLTS

Ranges (rms value):

.10000 V, 1.0000 V, 10.000 V, 100.00 V, 1000.0 V.

Resolution:

10 μV to 0.1 V in decade steps depending on range.

Overrange:

30% on all ranges except 1000 V range. Maximum readings are .13000 V, 1.3000 V, 13.000 V, 130.00 V, and 500.00 V.

Input Impedance:

1 MΩ shunted by 100 pF.

Accuracy

All ranges except 0.1 V range (25±5°C); ±0.2% rdg. ±0.02% f.s. for 3 months. 0.1 V range (25±1°C); ±0.5% rdg. ±0.2% f.s. for 3 months.

Full-Scale Step Response:

3 seconds to rated accuracy.

Maximum Input:

500 volts rms on 10 V, 100 V, and 1000 V ranges. 150 volts rms on 0.1 V and 1 V ranges without damage.

AC CURRENT

Ranges:

.10000 mA, 1.0000 mA, 10.000 mA, 100.00 mA, 1000.0 mA.

Resolution:

10 nA to 0.1 mA in decade steps depending on range.

Overrange:

30% on all ranges. Maximum readings are .13000 mA, 1.3000 mA, 13.000 mA, 130.00 mA, and 1300.0 mA.

Configuration:

Shunts internal to instrument.

Accuracy

(50 Hz to 20 kHz):

All ranges except 0.1 mA range (25±5°C); ±0.3% rdg. ±0.02% f.s. for 3 months. 0.1 mA range (25±1°C); ±0.5% rdg. ±0.2% f.s. for 3 months.

AC CURRENT (cont'd)

Full-Scale Step Response: 3 seconds to rated accuracy. 100% above range selected without damage.

RESISTANCE

RANGE	CURRENT THRU RX	RESOLUTION
1.0000 kΩ	5 mA	0.1 ohm
10.000 kΩ	500 μA	1 ohm
100.00 kΩ	50 μA	10 ohms
1000.0 kΩ	5 μA	100 ohms
10.000 MΩ	0.5 μA	1000 ohms

Overrange: 30% on all ranges. Maximum readings are 1.3000 kΩ, 13.000 kΩ, 130.00 kΩ, 1300.0 kΩ, and 13.000 MΩ at full accuracy.

Configuration: Two-wire measurement system.

Accuracy: All ranges (25±5°C); ±0.1% rdg. ±0.01% f.s.

Full-Scale Step Response: Typical 1 second on all kΩ ranges; 3 seconds on 10 MΩ range.

Voltage Protection: 130 V rms without damage on any range.

GENERAL

Input Configuration: Fully floating and guarded in all functions.

Maximum Common Mode Voltage: ±500 V dc or peak V ac.

Range Selection: Manual by front-panel control.

Sample Rate: Continuously adjustable by front-panel control from 5 readings/second to 1 reading/10 seconds. Hold position enables external measurement command.

Display:

Full four-digits plus overrange digit (gas discharge tubes); automatic decimal point positioning for all functions and ranges; negative polarity indicator; display storage for non-blinking readout; offscale indication.

Operating Temperature:

0°C to +50°C.
0 to 80% Relative Humidity (0°C to +35°C).
0 to 70% Relative Humidity (+35°C to +50°C).

Dimensions:

3-1/2" H x 8-1/2" W x 13" D half-rack size portable package, including two side-carry handles.

Weight:

8 lb (3.6 kg) net; 13 lb (6 kg) shipping. Optional battery pack adds 4 pounds.

Power:

115/230 (±10%) V ac, or 100/200 (±10%) V ac, 48-440 Hz, 8 watts maximum.

1.3 OPTIONAL FEATURES

DIGITAL OUTPUTS (OPTION 05)

Nonisolated 8-4-2-1 BCD outputs and recorder control signals with DTL/TTL compatible logic levels. DATA RECORDER COMMON MUST BE ISOLATED FROM MEASUREMENT SOURCE COMMON. Note: Output signals are not short-circuit-proof.

Outputs:

4 digits of BCD, and "1" (true) bit for overrange, minus polarity, and print command. Binary "0" (false) = +2.4 to +5 V, 0.1 mA source. Binary "1" (true) = 0 to +0.5 V, 1.8 mA sink.

DIGITAL OUTPUTS (cont'd)

Inputs:

Single line contact closure to P.S. Common for external READ-ON-DEMAND (single measurement per command), and RECORDER BUSY (inhibit).

INTERNAL BATTERY PACK (OPTION 09)

Provides 6 hours of continuous operation between charges; 14-hour recharge cycle through built-in charger. Charges from external power line with instrument in operation. Internal batteries do not increase size of instrument. Three-way battery power switch on rear panel:
1) BATTERY OFF - Operates from power and recharges batteries.
2) BATTERY ON - Operates from internal batteries or external floating +12 volt dc source which may be connected internally through rear-panel port. Instrument draws 0.7 ampere.
3) BATTERY TEST - Checks internal battery condition from front-panel display; also, verifies instrument performance.

- 1) Attach a tag to the unit indicating the model number, serial number, name and address of the instrument owner, and a summary of the service or repairs required.
- 2) Wrap the instrument in heavy paper or plastic prior to placing it into the shipping container.
- 3) Select a strong carton or wooden box to house the instrument.
- 4) Use an adequate layer of shock-absorbing material on all sides of the instrument and protect the front panel with additional layers of cardboard. Be certain that there is no movement of the unit within the container.

GENERAL PACKING INSTRUCTIONS

When the instrument is to be repackaged for shipment use the original packing materials. Your Syston-Donner field office can provide materials similar to those used for the original factory packaging, or repackaging the instrument following these general instructions:

2.3 RESHIPMENT

Immediately following removal of the instrument from the shipping carton, inspect for possible physical damage incurred during shipment. Check surfaces for scratches or dents and note condition of knobs and connectors. Should any damage be noted, notify your nearest Syston-Donner representative---DO NOT USE THE METER UNTIL INSTRUCTED TO DO SO BY THE REPRESENTATIVE.

Prior to accepting the meter from the shipper, inspect the condition of the shipping container for any indication of freight damage. Any sign of such damage must be noted by both the shipper and receiver and should be reported to the insurance investigator.

2.2 RECEIVING INSPECTION

The SD Model 7004 Digital Multimeter is shipped in an operational condition and is essentially ready for use as received. This chapter outlines the procedures for initial inspection and installation of the instrument. Instructions for reshipment are also included should the unit be returned to Syston-Donner Corporation for service or repair.

2.1 INTRODUCTION

CHAPTER 2 INSTALLATION

- Prior to performing the Acceptance Test Procedure it is recommended that the user become familiar with the instrument controls described in Section 3, OPERATION.
- 1) Check position of the LINE (115/230 V or 100/200 V) switch and connect ac power cord to an appropriate power source. If Internal Battery Pack (Option 09) is provided, turn BATTERY switch to the OFF position.
 - 2) Turn POWER switch to the ON position; the display will illuminate.

NOTE

The following procedure is performed to verify that no damage has occurred during transit and that the instrument is operative.

2.5 ACCEPTANCE TEST PROCEDURE

The Model 7004 is shipped with a .25 ampere fuse (115 V operation). If 230 V operation is required, the .25 ampere fuse should be replaced with a .125 ampere fuse to adequately protect the meter.

NOTE

The instrument operates from either 115 or 230 V at 48 to 440 Hz and consumes approximately 8 watts of power. A LINE switch on the rear panel adapts the unit for the local power line voltage. A 100/200 V tap on the primary of the power transformer is also provided to accommodate certain other power line requirements.

Model 7004 Digital Multimeter is equipped with a standard three-conductor power cord which, when plugged into an appropriate power receptacle, grounds the chassis to protect operating personnel from certain electrical hazards. Whenever the power cord is mated to a two-conductor outlet, a cord adapter-plug (properly installed) will provide the same protection.

2.4 POWER REQUIREMENTS

- 5) Seal the package with strong tape or metal bands.
- 6) Mark the shipping container "FRAGILE-DELICATE INSTRUMENT" to ensure careful handling.
- 7) Be certain that all correspondence refers to full instrument nomenclature (model and serial number).

GENERAL PACKING INSTRUCTIONS (Cont'd)

4) After completion of the Acceptance Test Procedure, refer to Section 3, OPERATION for additional operating information.

FUNCTION	RANGE	INPUT	DISPLAY
V	1000	HI/LO/GUARD SHORTED	0000.0±3 DIGITS
V & AC	1000	"	"
MA	1000	"	"
MA & AC	1000	"	"
KA	1000	"	"
KA	1000	HI/LO OPEN	OFFSCALE READING WITH OFFSCALE INDICATOR ENERGIZED.

TABLE 2.1 ACCEPTANCE TEST PROCEDURE

3) Select controls indicated in Table 2.1 and observe the display readings.

ACCEPTANCE TEST PROCEDURE (Cont'd)

3.1 INTRODUCTION

This chapter describes general operation of the Model 7004 Digital Multimeter. Front panel and rear panel functions are described in Tables 3.1 and 3.2. Operating procedures are given in Table 3.3. Also included is information concerning factors which affect measurement accuracy.

3.2 CONTROLS, CONNECTORS AND INDICATORS

3.2.1 Front Panel

Front panel control functions for Model 7004 are described in this section (see Figure 3.1 and Table 3.1).

TABLE 3.1 FRONT PANEL FUNCTIONS

INDEX	NAME	FUNCTION
1	POWER-OFF (switch)	Applies power to the instrument when turned in the clockwise direction.
2	SAMPLE RATE and HOLD (Potentiometer and Switch)	Controls measurement sample-rate of 5 readings/second to 1 reading/10 seconds as knob is turned in clockwise direction. When in HOLD position, measurement cycle is interrupted until externally commanded by remote programmer (Read).
3	HI/LO (Post Connectors)	Input terminals for all measurement functions.
4	GUARD (Post Connector)	Internal guard circuit may be left open (unconnected), or can be bused to the LO terminal. It may also be connected to an external guard potential. The guard circuit, when utilized, provides increased ac/dc common mode rejection of spurious or undesired signal currents.

FIGURE 3.2 REAR PANEL, MODEL 7004

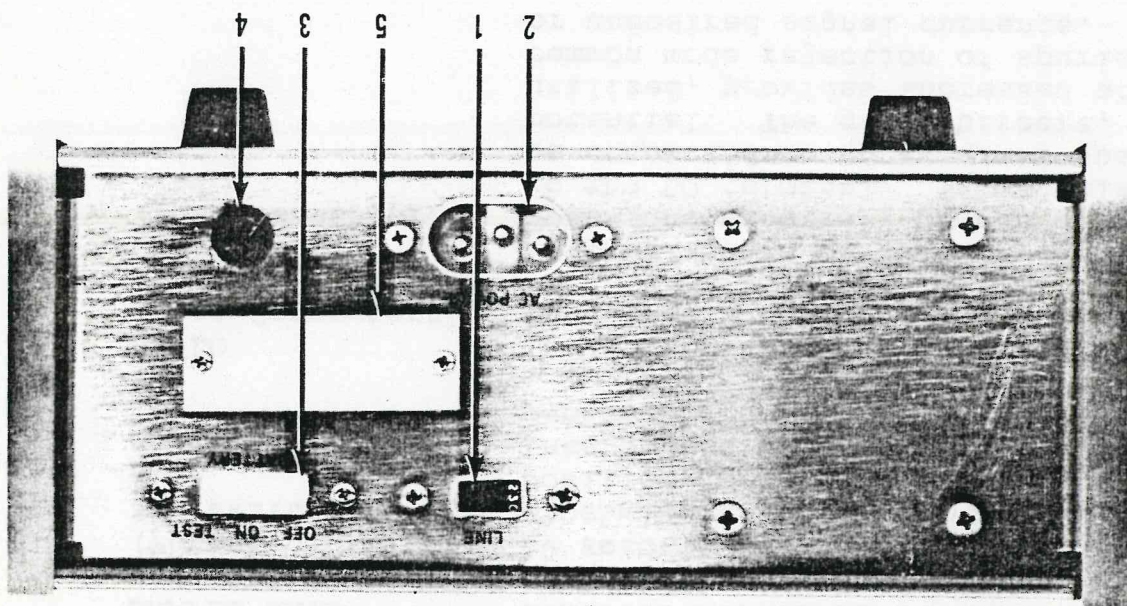


FIGURE 3.1 FRONT PANEL, MODEL 7004

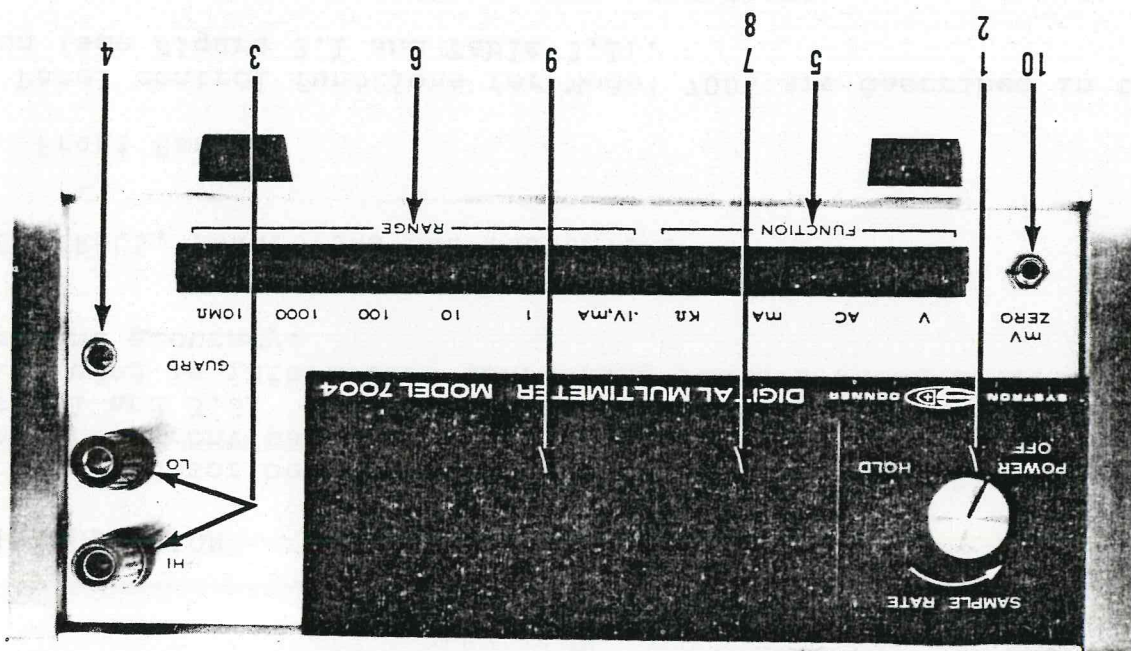


TABLE 3.1 FRONT PANEL FUNCTIONS (Cont'd)

FUNCTION	FUNCTION	PUSHBUTTON SWITCHES INITIATE THE FOLLOWING MEASUREMENTS:										
5	FUNCTION (Pushbutton Switches)	Pushbutton switches initiate the following measurements:										
6	RANGE	<table border="0"> <tr> <td>dc voltage</td> <td>depress V</td> </tr> <tr> <td>dc current</td> <td>depress mA</td> </tr> <tr> <td>ac voltage</td> <td>depress V & AC</td> </tr> <tr> <td>ac current</td> <td>depress mA & AC</td> </tr> <tr> <td>resistance</td> <td>depress RΩ</td> </tr> </table>	dc voltage	depress V	dc current	depress mA	ac voltage	depress V & AC	ac current	depress mA & AC	resistance	depress RΩ
dc voltage	depress V											
dc current	depress mA											
ac voltage	depress V & AC											
ac current	depress mA & AC											
resistance	depress RΩ											

RANGE	AC/DC	VOLTS	CURRENT	RESISTANCE
.1V, mA	X	X	X	NO
1	X	X	X	X
10	X	X	X	X
100	X	X	X	X
1000	X	X	X	X
10 MΩ	NO	NO	NO	X

7 Off-Scale Indicator
 LED display, when lighted, indicates an off-scale condition.

8 Polarity Indicator
 Negative polarity dc measurements are indicated with a (-) sign. Positive polarity levels have no sign indication.

9 Readout Tubes
 Full four-digit display, with over-range (1), provides full scale readout and 30% overrange capability. Decimal point indication is determined by the range selected.

10 mV ZERO (Screwdriver Adjustment)
 Fine (screwdriver) adjustment for zeroing low-range mV readings when high-resolution accuracy is desired.

3.2.2 Rear Panel

Rear Panel control functions for Model 7004 are described in this section (see Figure 3.2):

TABLE 3.2 REAR PANEL FUNCTIONS

INDEX	NAME	FUNCTION
1	LINE (Switch)	Slide switch selects 115/230 (+10%) V ac, 48 to 440 Hz operation. Power transformer tap (modification) converts unit to 100/200 (+10%) V ac operation.
2	AC POWER (Three-conductor power receptacle)	Power receptacle mates with standard three-conductor power cord (supplied).
3	BATTERY (Switch)	Option 09, Internal Battery Pack permits field operation of Model 7004. OFF Position: Instrument operates from ac power line while batteries are charging continuously. ON Position: Disconnects ac power line; instrument operates from internal battery pack.
4	EXTERNAL BATTERY (Cable Port)	TEST Position: Internal battery voltage is indicated on front-panel readout. Instrument accuracy will be impaired if internal battery pack voltage drops below 11 V dc. Provision included for connecting external 12 V dc (nominal) power supply into the instrument. Do not exceed 13.5 V dc or damage may result.)
5	BCD Output (Connector)	Option 05, Digital Outputs - provides non-isolated 8-4-2-1 BCD levels and DTL/TTL compatible receiver control logic levels. Mating connector is Amphenol #57-30240 (24 pins).

The general method for operating Model 7004 is indicated in Table 3.3. All inputs are applied between HI/LO terminals; with the GUARD circuit connected to the LO terminal whenever possible.

3.3 OPERATING PROCEDURES

READOUT		BCD Connector		PIN	
10 ³	1	8	20	7	P.S. Common (Gnd)
	2	4	19	8	
	2	2	6	21	
	4	17	21	Minus Polarity	
10 ²	1	8	18	24	P.S. Common (Gnd)
	2	4	17	9	
	2	2	5	Overrange	
	4	16	9	Print Command	
10 ¹	1	8	15	23	P.S. Common (Gnd)
	2	4	14	22	
	2	2	2	Read	
	4	13	2	Inhibit	
10 ⁰	1	8	1	10	P.S. Common (Gnd)
	2	4	14	22	
	2	2	13	23	
	4	13	1	Overrange	

BCD Connector Pin Assignments (J201)

TABLE 3.2 REAR PANEL FUNCTIONS (Cont'd)

1) DC VOLTS - ± 1000 V (maximum allowable input) on all ranges.

Overload protection is provided on all ranges to the extent indicated below:

3.3.3 Overload Protection

The instrument contains two isolated inner chassis (top and bottom guard covers) connected to the GUARD terminal on the front panel. With the GUARD/LO terminals bused together, measurement errors due to ac or dc normal mode currents are reduced significantly. Although the GUARD terminal is usually bused to the LO terminal, in certain applications it may be advantageous to connect it to a separate Guard Voltage.

3.3.2 Guard Terminal

This control varies the measurement sample rate over the range of 5 readings/second to 1 reading/10 seconds. When set to the HOLD position, the last reading is displayed until the control is returned to the SAMPLE RATE position; or, a remote command is received on READ line (pin 22) of connector J201.

3.3.1 Sample Rate and Hold Control

FUNCTION	OPERATION	DISPLAY
DC VOLTS	Select V and desired RANGE 0.1, 1, 10, 100, or 1000.	Read display directly in dc volts.
DC CURRENT	Select mA and desired RANGE 0.1, 1, 10, 100, or 1000.	Read display directly in dc milliamperes.
AC VOLTS	Select V and AC with desired RANGE 0.1, 1, 10, 100, or 1000.	Read display directly in ac volts.
AC CURRENT	Select mA and AC with desired RANGE 0.1, 1, 10, 100, or 1000.	Read display directly in ac milliamperes.
RESISTANCE	Select $K\Omega$ and desired RANGE 1, 10, 100, 1000, or 10 M Ω .	Read display directly in kilohms on the 1, 10, 100, 1000 ranges, and in megohms on the 10 M Ω range.

TABLE 3.3 OPERATING PROCEDURES

3.3 OPERATING PROCEDURES (cont'd)

Located on the Model 7004 front panel is the MV ZERO adjustment. This control permits the user to accurately zero the instrument when low-level, high-resolution measurements are to be made on the 0.1 V range. Before adjusting this control, allow the instrument to stabilize for at least 1/2 hour after turn-on. Connect a zero-ohm shorting bus across the HI/LO terminals and adjust the MV ZERO control until a reading of $.00000 \text{ V} \pm 2$ counts is obtained.

3.3.4 mV Zero Adjustment

- 2) AC VOLTS - 500 V rms on 10 V, 100 V, 1000 V ranges. 150 V rms on 0.1 V, 1 V ranges.
- 3) DC CURRENT - 100% above selected range, on all ranges.
- 4) AC CURRENT - 100% above selected range, on all ranges.
- 5) RESISTANCE - 130 V rms on all ranges.

3.3.3 Overload Protection (Cont'd)

... ..
... ..
... ..

... ..
... ..
... ..

... ..

-
-
-

... ..

... ..

- 1) Disconnect ac power and remove the top and bottom covers.
- 2) Make a thorough visual inspection of all wiring and cables. Check for frayed, loose, or burned wires.
- 3) Check the physical integrity of all components. Look for burned or cracked components, loose solder connections, leakage of insulation compounds, and general physical damage. When a printed-circuit board contains integrated-circuit packages, ensure that all packages are firmly mounted. Never unnecessarily remove and replace a package.
- 4) Check front panel switches and controls for loose or broken terminals, sticking shafts, etc.

A regular program for maintenance and inspection every four to six months is recommended for this unit. As part of these regular procedures, the instrument should be checked in the following manner:

4.3 ROUTINE MAINTENANCE

SYSTRON-DONNER CORPORATION
 CONCORD INSTRUMENT DIVISION
 10 Systron Drive
 Concord, California 94518
 Phone: (415) 682-6161
 TWX: 910-481-9479
 Cable: SYSTRONDONNER

Whenever a Systron-Donner instrument requires service, the nearest S-D representative should be contacted. He can provide field service, or arrange factory service when necessary. Address all inquiries concerning service, operation, or application to your nearest sales representative; or, to Sales Manager:

4.2 FACTORY SERVICE

This section contains basic maintenance and calibration procedures for maintaining Model 7004 performance parameters. Information in this section includes: Factory Service, Routine Maintenance, Printed-Circuit Board Repair, Test Equipment, and Calibration Procedures.

4.1 INTRODUCTION

Always trim semiconductor leads only after soldered installation is complete. This procedure greatly lessens the possibility of component failure due to shock-wave damage caused by the trimming tool.

CAUTION

(Use only 63-37 solder with maximum 1/16-inch diameter.)

- 4) Form the tinned leads of the replacement part and insert in the printed circuit holes; solder, then trim leads to extend 1/16-inch beyond the back surface of the board.
 - 3) Apply heat (40-50 W soldering iron) sparingly to each of the cut pins or leads and remove from the board; clean the hole(s) with a toothpick or solder suction tool.
 - 2) Remove the defective component(s) from the board by cutting the pins or leads with a small diagonal clipping tool. (Always remove and replace the entire component.)
 - 1) Determine by troubleshooting techniques, which integrated circuit or discrete component(s) has failed.
- When replacing integrated circuits or other electronic components soldered to printed-circuit boards, the procedures indicated below must be followed or damage to the board may result:

4.4 PRINTED-CIRCUIT BOARD REPAIR

- 7) Replace the top and bottom covers and reconnect ac power. Perform the operational test procedures given in Section 4.6. If performance does not match or exceed the specifications listed in Chapter 1 of this manual, corrective maintenance is in order.
- 6) Wipe the external surfaces of the instrument with a soft, damp cloth to remove dirt, fingerprints, and other foreign materials.
- 5) Do not clean P.C. boards or small internal components with a stiff brush or solvents since damage to the circuits may result. A high-powered vacuum cleaner device should never be used on small internal components.

CAUTION

- 5) If the internal panel surfaces and components have accumulated an excessive amount of dust, use a soft brush and low-pressure stream of air to remove the foreign material.

4.3 ROUTINE MAINTENANCE (Cont'd)

4.4 PRINTED CIRCUIT BOARD REPAIR (Cont'd)

- 5) When soldering semiconductor devices and all small components, be sure to use a heat sink tool or long-nosed plier connected to the component lead(s) while each is being soldered. Allow the soldered connection to cool before removing the heat sink.

- 6) Clean all dirt and solder-flux from the printed-circuit traces by liberal application of a freon-type solvent.

4.5 TEST EQUIPMENT

Listed in Table 4.1 is the inventory of test equipment required for maintenance and calibration of the Model 7004 Digital Multi-meter. In the event these specific items are not available, units of equal, or greater accuracy and capability may be used.

TABLE 4.1 TEST EQUIPMENT FOR MODEL 7004

NOMENCLATURE	TYPE	USAGE
DC Voltage/Current Calibrator	Fluke Model 382A & 332B	dc voltage & current calibration
AC Voltage Calibrator	HP Model 745A (Use 0.1% resistors for ac current calibration)	ac voltage & current calibration
Resistance Standard	ESI Model RS925C	resistance calibration
Digital Voltmeter	Systrom-Donner Model 7005A	calibration & troubleshooting
Oscilloscope	Tektronix Model 535 with Type D Plug-in	calibration & troubleshooting

4.6 CALIBRATION PROCEDURES

This section contains step-by-step calibration procedures for the Model 7004. Perform these procedures in listed order since earlier steps may affect later ones. Test and calibration tolerances listed in these procedures do not include specification variances of the test/calibration equipments listed in Table 4.1.

3) TRANSFORMER UNBALANCE COMPENSATION: Compensation for transformer unbalance has been made at the factory to eliminate display "noise" or uncertainty. This compensation is adequate for most ac power sources at the point of manufacture. When this unit is used with differing or special power sources, it may be desirable to rebalance the power transformer. This may be done using the following procedure: Short across the HI, LO, and GUARD inputs. Remove side panel cover and set FUNCTION switch to V and RANGE switch to .1 V, mA. Monitor ripple voltage across Main Amplifier output TP-6, with respect to LO terminal. Connect a capacitor across guard post 22 and Main Amplifier supply post 23 or 24 for a minimum output. The value of the capacitor may vary between 10 pF to 400 pF (typical value is 56 pF). The output

- 1) Apply power to instrument and allow at least 1/2-hour warm-up.
 - 2) Remove bottom instrument cover
- 4.6.2 Calibration

- 2) Turn OFF power; replace instrument cover.

VOLTAGE	TEST POINT	ADJUSTMENT	TOLERANCE
+17 V dc	Green	Fixed	Nominal
-18 V dc	Yellow	Fixed	Nominal
Ground	Red/Black	-	-

TABLE 4.2 POWER SUPPLY VOLTAGES

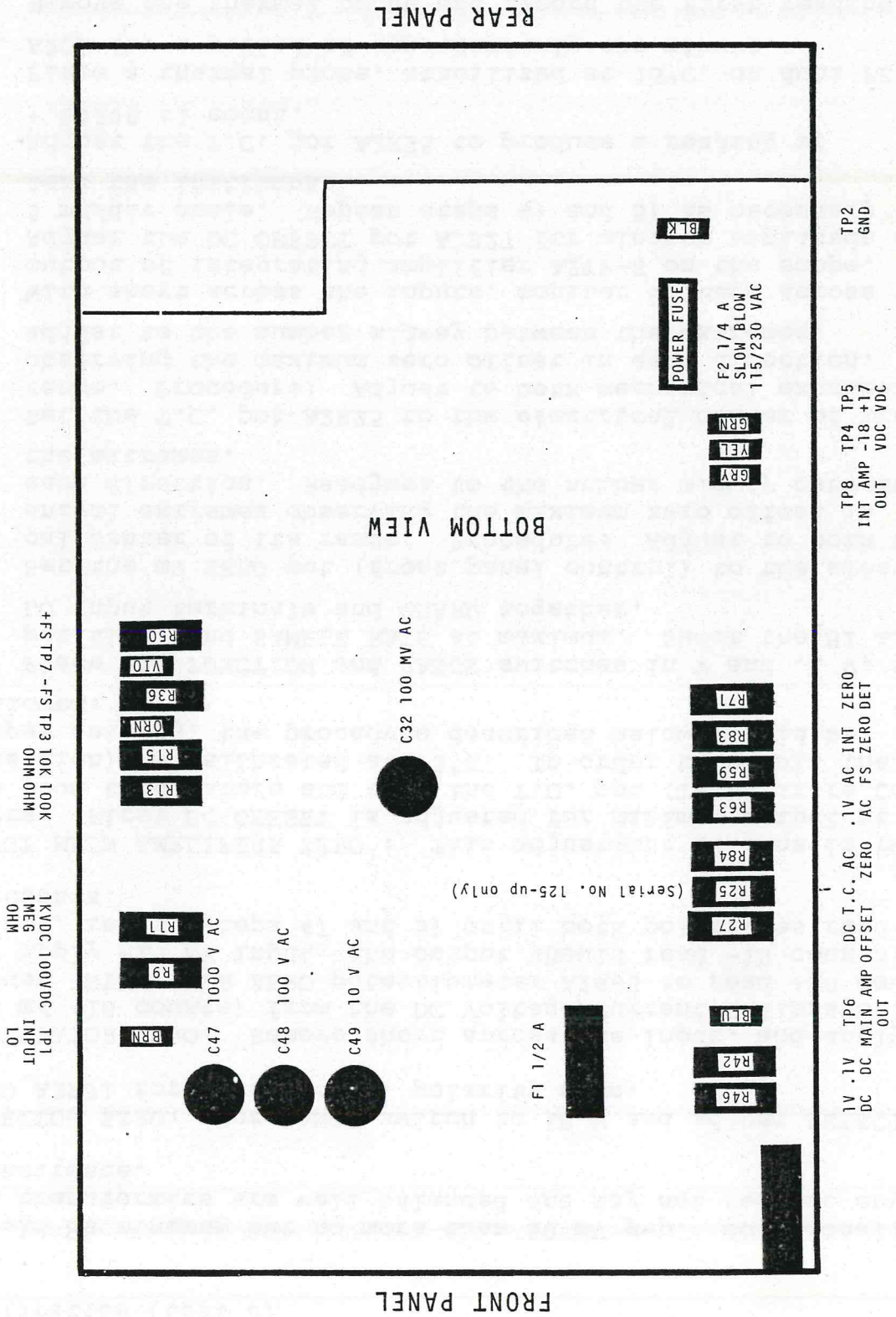
- 1) Remove bottom instrument cover (rear end-trim; slide cover off), apply power, and check power supply voltages (bottom side, P.C. board) as follows:

4.6.1 Power Supply Voltages

Unless otherwise indicated, all calibration procedures may be conducted while at room ambient temperature and at nominal power-line voltage and frequency. For best results use high-quality test leads of 36-inch maximum length. Undesirable noise may be eliminated during the calibration procedures by grounding the LO/GUARD terminals to the test/calibration equipment.

4.6 CALIBRATION PROCEDURES (cont'd)

FIGURE 4.1 LOCATION, CALIBRATION CONTROLS



should be minimum but no more than 50 mV p-p. Occasionally the transformers are well balanced and may not require any capacitance.

4) DETECTOR ZERO: Set RANGE switch to 10 V and adjust DETECTOR ZERO A2R71 for flashing (-) polarity sign.

5) INTEGRATOR ZERO: Remove short across the input, and apply +10 mV (10 counts) from the DC Voltage/Current Calibrator. Adjust INTEGRATOR ZERO potentiometer A2R83 to read +10 counts. Now apply -10 mV input, the output should read -10 counts; if not, repeat steps 4) and 5) until both polarities read 10 counts.

6) INPUT MAIN AMPLIFIER ZERO: This adjustment is done in two parts. First DC OFFSET is adjusted for minimum output at the room temperature and then the T.C. pot (Temperature Compensation) is calibrated at 75°C. In order to obtain the proper setting, the procedure described below should be followed:

a) Place the FUNCTION and RANGE switches in V and .1 V, mA position, and SAMPLE RATE at maximum. Short the HI and LO input terminals and GUARD together.

b) Set the mV ZERO pot (front panel control) to the electrical center of its range. Procedure: Adjust to both mechanical extremes observing the maximum zero offset in each direction. Repeat each direction. Readjust to the number midway between the extremes.

c) Set the T.C. pot A2R25 to the electrical center of its range. Procedure: Adjust to both mechanical extremes observing the maximum zero offset in each direction. Repeat each direction. Readjust to the number midway between the extremes.

d) Set the T.C. pot A2R25 to the electrical center of its output of integrating amplifier A2TP-8 on the scope. Adjust the DC OFFSET pot A2R27 for minimum amplitude of 5 mV/div scale. Repeat steps 4) and 5) as necessary to zero the instrument.

e) Adjust the T.C. pot A2R25 to produce a reading of ± 0.0200 count.

f) Place a thermal probe, stabilized at 75°C, on dual FET A2Q1 for a period of approximately one minute.

g) Remove the thermal probe and record the first reading (r₁) after the probe is removed. (Typically more positive than ± 0.0200)

This is factory adjusted and need not be performed unless parts have been replaced in the Input Main Amplifier.

- h) Adjust the T.C. pot A2R25 to produce a reading of -0.0200 ± 1 count. Observe that the FET has cooled to approximately room temperature and that the reading remains stable.
- i) Place the 75°C thermal probe on Dual FET A2Q1 again for approximately one minute.
- j) Remove the thermal probe and record the first reading (r_2) after removal (typically more negative than -0.0200).
- k) Determine the CHANGE of each reading (Y_1, Y_2) and plot the points on linear graph paper with XY scales. Two typical curves are plotted in the example to demonstrate positive and negative compensation settings.

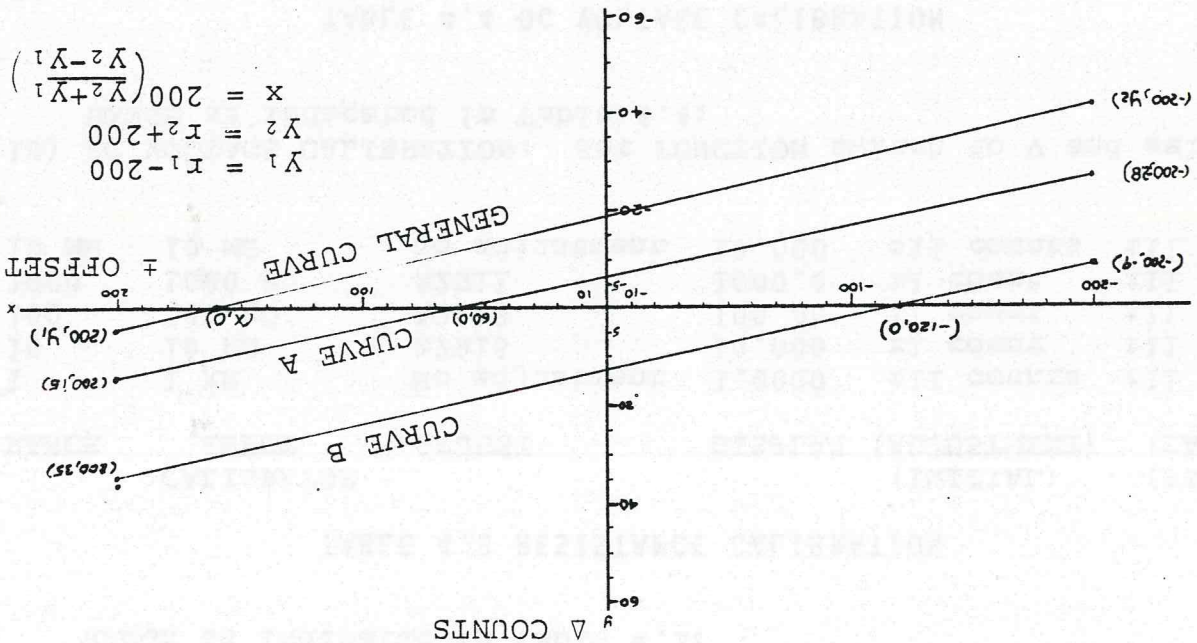


FIGURE 4.2 TYPICAL TEMP. COMP. GRAPH

- l) Draw a straight line curve through the two points, and note the point of intersection with the \pm OFFSET scale, x-axis.
- m) Adjust T.C. pot A2R25 to produce a reading equal to the number of counts shown by the intersection on the graph. In the above example the reading should be $+0.0060$ for Curve A and -0.00120 for Curve B.
- n) Readjust DC OFFSET pot A2R27 to zero the instrument.
- o) Verification of proper temperature compensation may now be performed. Observe the reading at 0.0000 ± 1 count, if not, adjust the front panel mv ZERO adjustment to produce this reading. Place the 75°C thermal probe on Dual FET Q1 for approximately one minute. Remove the probe and observe the

If adjustment of A2R13 is necessary, the Resistance ranges may be slightly affected, but these will continue to be within specified tolerances. Also, do not attempt at this point, to readjust the Resistance ranges back to ± 1 count since the DC Voltage calibration will then be affected.

NOTE

RANGE	CALIBRATOR	INPUT	ADJUST	DISPLAY
.1	A2R42	± 100 mV	.10000	± 2 counts
1	A2R46	± 1 V	1.0000	± 1 count
10	Same as (6) & (7)	± 10 V	10.000	± 1 count
100	A2R9	± 100 V	100.00	± 1 count
1000	A2R13	± 1000 V	1000.0	± 2 counts

TABLE 4.4 DC VOLTAGE CALIBRATION

10) DC VOLTAGE CALIBRATION: Set FUNCTION switch to V and select RANGE as indicated in Table 4.4:

RANGE	CALIBRATOR	INPUT	ADJUST	DISPLAY (ADJUSTMENT)	(INITIAL)	(FINAL)
1	A2R15	1 k Ω	No adjustment	1.0000	± 11 counts	± 11 counts
10	A2R15	10 k Ω	No adjustment	10.000	± 1 count	± 11 counts
100	A2R13	100 k Ω	No adjustment	100.00	± 1 count	± 11 counts
1000	A2R11	1000 k Ω	No adjustment	1000.0	± 1 count	± 11 counts
10 M Ω	A2R11	10 M Ω	No adjustment	10.000	± 11 counts	± 11 counts

TABLE 4.3 RESISTANCE CALIBRATION

9) OHMS CALIBRATION: Set FUNCTION switch to k Ω and select RANGE as indicated in Table 4.3:

- 7) +FS (TP7-violet): Apply +10 V dc across the inputs and adjust +FULL SCALE potentiometer A2R50 to read 10.000 ± 1 count.
- 8) -FS (TP3-orange): Apply -10 V dc across the inputs and adjust -FULL SCALE potentiometer A2R36 to read -10.000 ± 1 count.

reading is still .00000 ± 20 counts. This procedure will typically compensate the FET to ± 5 counts (± 50 mV) for a 50°C change in temperature. If the 25°C to 75°C zero stability of the FET is not less than ± 20 after compensation, it may be due to improper performance of the compensation procedure, or a defective device with excessive gate leakage current.

11) AC VOLTAGE CALIBRATION: (Perform DC VOLTAGE CALIBRATION first).

- a) AC ZERO: Set FUNCTION switches to V and AC. Set RANGE switch to 0.1 V mA. Short the HI/LO input terminals with a bus jumper. (Do not use long test lead which will pick up noise.) Adjust AC ZERO A2R84 so that display reads a minimum, but no higher than 15 counts.
- b) Apply a 0.1 V rms, 200 Hz input signal from the AC Voltage Calibrator across the HI/LO input terminals. Adjust A2R63 until the readout is .10000 \pm 1 count.
- c) Apply a 0.1 V rms, 20 KHz input signal across the HI/LO input terminals. Adjust frequency compensation capacitor A2C32 until the readout is .10000 \pm 1 count.
- d) Set the RANGE switch to the 1 V range. Apply a 1.0 V rms, 200 Hz input signal across the HI/LO input terminals. Adjust A2R59 until the readout is 0.9995 \pm 2 counts.
- e) Set the RANGE switch to the 10 V range. Apply a 10 V rms, 200 Hz input signal across the HI/LO input terminals. Observe that the readout is 10.000 \pm 22 counts.
- f) Apply a 10 V rms, 20 KHz input signal across the HI/LO input terminals. Adjust attenuator frequency compensation capacitor A2C49 for a reading of 09.990 \pm 2 counts.
- g) Set the RANGE switch to the 100 V range. Apply a 100 V rms, 200 Hz input signal across the HI/LO input terminals. Observe that the readout is 100.00 \pm 22 counts.
- h) Apply a 100 V rms, 10 KHz input signal across the HI/LO input terminals. Adjust attenuator frequency compensation capacitor A2C48 for a reading of 099.90 \pm 2 counts.
- i) Set the RANGE switch to the 1000 V range. Apply a 500 V rms, 200 Hz input signal across the HI/LO input terminals. Observe that the readout is 500.0 \pm 12 counts.
- j) Apply a 500 V rms, 20 KHz input signal across the HI/LO input terminals. Adjust attenuator frequency compensation capacitor A2C47 for a reading of 0499.5 \pm 1 count.
- k) In the event that an AC Voltage Calibrator with an output capability of 500 V rms is not available, the following procedure will provide adequate frequency compensation. Apply a 100 V rms, 200 Hz input signal across the HI/LO input terminals. Observe that the readout is 100.0 \pm 4 counts.

- 1) Apply a 100 V rms, 10 kHz input signal across the HI/LO input terminals. Adjust attenuator frequency compensation capacitor A2C47 to observe a reading of 99.8 ± 1 count.

12) DC/AC CURRENT CALIBRATION

- a) DC CURRENT: Set FUNCTION switch to mA and RANGE switch as indicated below. Connect DC Current Calibrator output across the HI/LO input terminals. Observe display, no adjustment is required.

RANGE	INPUT	DISPLAY
.1	$\pm 100 \mu\text{A}$	± 14 counts
1	$\pm 1 \text{ mA}$	± 11 counts
10	$\pm 10 \text{ mA}$	± 11 counts
100	$\pm 100 \text{ mA}$	± 11 counts
1000	$\pm 1000 \text{ mA}$	± 11 counts

TABLE 4.5 DC CURRENT CALIBRATION

- b) AC CURRENT: Set FUNCTION switch to AC and mA; then, repeat Step 1a. Use AC Current Calibrator. If not available, apply ac voltage across precision resistors to obtain proper currents.

RANGE	INPUT	DISPLAY
.1	$100 \mu\text{A}$	± 52 counts
1	1 mA	± 32 counts
10	10 mA	± 32 counts
100	100 mA	± 32 counts
1000	1000 mA	± 32 counts

TABLE 4.6 AC CURRENT CALIBRATION

5.1 INTRODUCTION

This chapter presents the theory of operation for the Model 7004 Digital Multimeter. Included in this description is a general presentation of dual-slope integration, followed by a detailed discussion of the A1, Count Chain & Readout Board, and the A2, Switch Board.

5.2 DUAL-SLOPE INTEGRATION

The method of dual-slope integration, as used in the Model 7004, is a two-step analog to digital measurement technique. The first step is characterized by an ultra-high impedance input operation- al amplifier which provides extremely high input impedance plus gain on the lowest ranges. At the start of the measurement period, control circuits connect the amplifier output to the in- tegrator, remove the short from the integrating capacitor, and open the gate so that pulses will pass from the oscillator to the counter. Since the integrating capacitor was just shorted, the integrator output starts from zero. This output is a ramp with slope and direction proportional to the instantaneous ampli- tude and polarity of the input voltage. The integration continues until 10,000 counts from the oscillator have been accumulated. With an oscillator frequency of 120 kHz this occurs in 1/12th of a second.

At this time the second step of the measurement cycle begins. The integrator input switches to the reference supply, the polar- ity of which is chosen to be opposite that of the input voltage. The counter continues to count while the reference voltage now drives the integrator back to zero. The slope of the decreas- ing voltage from the integrator is proportional to the reference voltage and the time required to drive the integrator back to zero is exactly proportional to the unknown input. When the integrator reaches zero the gate is closed and the counter is stopped. This count is now numerically equal to the unknown in- put voltage and is transferred into memory and displayed as the final answer.

Several features of Dual-slope Integration should be noted:

- 1) The same integrator is used during both halves of the measurement cycle which essentially eliminates the pro- blems usually inherent in integrator circuits such as component aging and temperature drift. It is only necessary for the integrator to maintain the same char- acteristics from the first to the second half of the measurement cycle.

5.2 DUAL-SLOPE INTEGRATION (Cont'd)

- 2) The same clock oscillator is used during both halves of the measurement cycle; its frequency need only remain constant for a very short period.
- 3) The input is always compared to an internal reference for each measurement.

5.3 A1, COUNT CHAIN & READOUT (Schematic D37215-7-1)

This assembly contains the timing and control logic, the polarity and off-scale indicators, and the digital count chain and readout. Generally, the operations on this board will be described in sequence unless otherwise noted.

At the beginning of a new integrating cycle, *lex*, the unknown voltage, *ex*, from the main amplifier, A2U1, is coupled through FET switch, A2Q15, which is held on by a low level on the *lex* line. At the same time a high on the *fec* line turns off the FET switch A2Q12 and removes the short across the integrating capacitor A2C41.

The clock, A1U6, operating at 120 KHz, produces a chain of pulses from pin 8 which is counted by decades, A1U10-U13 on pin 14. The clock output is gated through NAND gates A1U20,

pins 3 & 6. After 10,000 pulses have been counted during *lex*, dual J-K, A1U5, produces two low outputs on pins 7 & 12 and 10 & 13. Three functions occur: the clock is inhibited for 16 counts, integration of the unknown voltage, *lex*, is stopped, and integration of the proper reference +*fer* or -*fer* is started.

To stop the clock for 16 counts, the A1U5 J-K output from pins 7 & 12 turns on Q6. This presents a high on the NAND gate, A1U21 pin 2 where pin 3 is already high. This turns on the four-bit binary counter A1U21 which is wired for ÷16 counting. Decoder A1U22 keeps the output of A1U20 pin 8 low for 16 counts which stops the clock through the gate A1U2 pin 6.

Integration of the unknown voltage is stopped by the output of A1U5 pins 10 & 13 which toggles flip-flop A1U19 with a low on pin 5. The *lex* line flips high and opens the FET switch A2Q15 shutting off the integration of the unknown voltage, *ex*.

Integration of the proper reference is started by the high output of flip-flop A1U19 pin 6 setting all the following NAND gate lines high: A1U16 pins 4 & 2 and A1U18 pins 9 & 12. During *lex* the output of the zero detector A2U7 has either been high (negative *ex*) or low (positive *ex*). The output, X0, from A2U7 (terminal 13) is fed to the A1U24 inverter. This high or low level is fed to A1U16 via inverter A1U15, pin 11, so that opposite levels appear at pins 1 & 5 of A1U16. For a negative

The main dc amplifier consists of a switch-selected input attenuator, A2S9-C, A2S8-A-B-C, A2S7-B, A2S6-B, A2S9-A-B, and A2R8 through A2R16, followed by a passive filter, A2R17, A2R18, A2C5, A2C6, and a FET input, A2Q1, operational amplifier, A2U1. This amplifier has unity gain in the 10, 100, and 1000 ranges, a gain of 10 in the 1 range, and a gain of 100 in the .1 range. The input is developed across A2R35, a 10 k Ω resistor, with 10 volts full scale capability. To increase the good common mode characteristics of A2Q1, a transistorized current source, A2Q25 and A2VR13 is utilized. The offset of the amplifier is adjusted by the DC OFFSET potentiometer, A2R27 and the T.C.

5.4.1 DC AMPLIFIER/DC CURRENT (Sheet 1 of 2)

This assembly contains all of the analog electronics including the following circuits: DC Amplifier/DC current, AC-DC Converter/AC Current, Ohms circuit, A to D Converter, and Power Supply. Note: all switches are initially in the off position.

5.4 A2, SWITCH BOARD (Schematic D37217-7-1)

Also, the delay one-shot A1U5 places a low on pin 1 of A1U4 which produces a high on the TRANSFER line and transfers the count from decades A1U10-U13 to buffer storages A1U5-U9. The OFF SCALE indicator lights when A1U25 decodes a count of 13000. The cycle is ready to begin again.

The output of A1U17, at this time, presents the polarity on pin 5 of the BCD connector J101 and presents a low on the input pin 9 of NAND gate A1U5. Since pin 10 of NAND gate A1U5 is high, nothing happens. However, when the zero detector detects that the fer has integrated back to zero, the X ϕ line changes polarity, switching the state of A1U24. This change of state, via A1U5 and A1U6, flips A1U8 which drives the output of A1U7 pin 6 and input of A1U5 pin 9 high. This high on pin 9 and the high already on pin 10 of A1U5 produces a low output, triggering the delay one-shot pins 6 & 3 of A1U5. This one-shot pulse does two things: the one-shot turns on the 5 ms clamp pins 8 & 11 of A1U9 which shuts the clock off, and this low on the fer line turns on FET switch A2Q12 and shorts the integrating capacitor A2C41.

ex, pin 5 of A1U6 is high, w/pin 1 low, and pin 5 of flip-flop A1U6 is low; thus making pin 13 high and pin 11 low. With the +fer line low, the +REF is coupled through FET switch A2Q13 to the integrator and positive integration +fer, of the + reference begins. This integration is in the opposite direction to the unknown integration. Thus for a positive ex, the -fer line is low and the -REF is coupled through FET switch A2Q14 for negative integration, -fer, of the - reference. The minus indicator is turned on for a low on pin 3 of A1U8 with positive polarity not shown.

5.3 A1, COUNT CHAIN & READOUT (cont'd)

The wide-band precision rectifier converts the ac input waveform into two pulsating dc components consisting of a positive half cycle and a negative half cycle. This rectifier circuit consists mainly of a dual FET differential amplifier, A2Q10 followed by a dual PNP transistor differential amplifier. This amplifier has high input impedance, high gain bandwidth product, and very low dc drift. Output transistors A2Q7 and A2Q8 provide low output impedance and rectification for the positive and negative signal components. The positive component is fed back to the inverting input of dual FET, A2Q10 via the frequency compensated feedback divider, A2R68, A2R70, and associated capacitors. Similarly, the negative component is fed back to the inverting input of dual FET, A2Q10 via the frequency compensated feedback divider, consisting of A2R69 and A2R70. Trimmer capacitor A2C32 adjusts the output vs frequency characteristic of the precision rectifier section, and should be adjusted for a flat characteristic on the .1 range. This one setting will also be

The frequency compensated input attenuator divides the ac input voltage by factors of 10, 100, or 1000 in the 10, 100, and 1000 volt ranges. No attenuation occurs in the .1 and 1 volt ranges. The switch selected precision voltage divider consists of resistors A2R107, A2R108, and A2R109 which are initially ratio matched to A2R110 within $\pm 0.5\%$. Each attenuator range is frequency compensated with fixed and adjustable trimmer capacitors. Trimmers, A2C49, A2C48, and A2C47 allow adjustment of the and variation of stray capacitances. In the .1 and 1 ranges, 1 M Ω resistors A2R119 or A2R120 provide a dc return path to common for the noninverting input gate of the dual FET precision rectifier-amplifier, A2Q10.

The AC to DC converter consists of a frequency compensated input attenuator, a wide band precision rectifier, and a full wave averager with a differential dc amplifier.

5.4.2 AC TO DC CONVERTER (Sheet 1 of 2)

DC current measurement is selected by the mA pushbutton A2S3-B. This switch selects a string of current shunt resistors, A2R2 through A2R5 with ranges .1 mA, 1 mA, 10 mA, 100 mA, and 1000 mA. The .1 mA and 1 mA range use the same shunt string A2R2, A2R3, A2R4, and A2R5 (1 K Ω) with a change in the gain of the amplifier via A2S5-B for .1 mA and A2S6-A for 1 mA. The voltage drop across the shunt is then measured as in DC volts.

temperature compensation is controlled by A2R25. A mV ZERO potentiometer, A2R2, is in series with A2R25 for finer adjustment. Protection on all ranges is provided by clamping diodes A2VR1 and A2VR2.

5.4.1 DC AMPLIFIER/DC CURRENT (cont'd)

adequate for the 1 range and should be set before the attenuator compensation adjustments are made. Due to the extremely high feedback factor of the precision rectifier amplifier, its gain is essentially independent of the active components and is mainly determined by the feedback divider resistor ratios. Over-voltage protection is provided by Zener diodes A2VR10, A2VR8, A2VR6, and A2VR7.

The full wave averager and differential dc amplifier averages, amplifies, and filters the precision rectified positive and negative signal components. The ac scale factor settings are made by adjusting the dc gain of the amplifier, A2Q1 & A2Q1.

Since this amplifier is operated in a differential input mode, the dc output is a function of the absolute value of the positive and negative input dc components. Since the fundamental ac components of the two inputs are equal in amplitude and in phase, cancellation of the fundamental ac components and in-phase harmonics occurs in the amplifier. The positive half cycles are fed to the positive noninverting input of the amplifier and the negative half cycles are fed to the inverting input of the amplifier. Some gain is provided by A2R58 and A2R59 with feedback A2R57. Out of phase harmonics and noise are reduced by the RC filter sections, A2C31, A2R70, A269, A2C38, A2R68, A2C30, A2R67, and A2C25. This type of full wave averaging allows fast converter response since ripple reduction at low frequencies is achieved with relatively short RC filter time constants. The switched 5 volt supply is turned off, inhibiting the polarity indicator.

To measure ac current, the same set of precision current shunt resistors used in the dc current mode are utilized. This resistor string is switched across the input terminals to obtain full scale current readings from 0.1 mA to 1000 mA in decade steps. Since the voltage developed across the shunt resistor is directly proportional to the current through it, measurement of this voltage drop produces a readout in ac mA. The full scale voltage drop across the shunt resistors is 100 mV for the 0.1 mA range, and 1 V for all other ranges. Fuse A2F1 limits the current to 1.5 amps.

5.4.3 OHMS CIRCUIT (Sheet 1 of 2)

The Ohms circuit utilizes the main dc amplifier, A2U1 & A2Q1 and dc attenuator network with the -REF as the current source. The main amplifier is clamped by A2VR4 so that the open circuit voltage does not exceed ± 13 volts.

The -REF, through a set of resistors A2R8 through R16, depending on the range selected, provides a select constant current to the summing junction of the dc amplifier. The unknown resistor, connected across the HI and LO input terminals, acts as the

The following is a list of the names of the persons who were present at the meeting held on the 15th day of June, 1964, at the residence of the respondent, 100-1001.

1. [Name] 2. [Name] 3. [Name] 4. [Name] 5. [Name] 6. [Name] 7. [Name] 8. [Name] 9. [Name] 10. [Name] 11. [Name] 12. [Name] 13. [Name] 14. [Name] 15. [Name] 16. [Name] 17. [Name] 18. [Name] 19. [Name] 20. [Name] 21. [Name] 22. [Name] 23. [Name] 24. [Name] 25. [Name] 26. [Name] 27. [Name] 28. [Name] 29. [Name] 30. [Name] 31. [Name] 32. [Name] 33. [Name] 34. [Name] 35. [Name] 36. [Name] 37. [Name] 38. [Name] 39. [Name] 40. [Name] 41. [Name] 42. [Name] 43. [Name] 44. [Name] 45. [Name] 46. [Name] 47. [Name] 48. [Name] 49. [Name] 50. [Name] 51. [Name] 52. [Name] 53. [Name] 54. [Name] 55. [Name] 56. [Name] 57. [Name] 58. [Name] 59. [Name] 60. [Name] 61. [Name] 62. [Name] 63. [Name] 64. [Name] 65. [Name] 66. [Name] 67. [Name] 68. [Name] 69. [Name] 70. [Name] 71. [Name] 72. [Name] 73. [Name] 74. [Name] 75. [Name] 76. [Name] 77. [Name] 78. [Name] 79. [Name] 80. [Name] 81. [Name] 82. [Name] 83. [Name] 84. [Name] 85. [Name] 86. [Name] 87. [Name] 88. [Name] 89. [Name] 90. [Name] 91. [Name] 92. [Name] 93. [Name] 94. [Name] 95. [Name] 96. [Name] 97. [Name] 98. [Name] 99. [Name] 100. [Name]

The above list was prepared by the respondent on the 15th day of June, 1964, and is true and correct to the best of his knowledge and belief.

The respondent further certifies that the names of the persons listed above are the names of the persons who were present at the meeting held on the 15th day of June, 1964, at the residence of the respondent, 100-1001.

The respondent further certifies that the names of the persons listed above are the names of the persons who were present at the meeting held on the 15th day of June, 1964, at the residence of the respondent, 100-1001.

The respondent further certifies that the names of the persons listed above are the names of the persons who were present at the meeting held on the 15th day of June, 1964, at the residence of the respondent, 100-1001.

The respondent further certifies that the names of the persons listed above are the names of the persons who were present at the meeting held on the 15th day of June, 1964, at the residence of the respondent, 100-1001.

The respondent further certifies that the names of the persons listed above are the names of the persons who were present at the meeting held on the 15th day of June, 1964, at the residence of the respondent, 100-1001.

CHAPTER 6

7004 FINAL ASSEMBLY PARTS LIST

SD

Ref.	Description	Qty.	Part No.
	7004 Final Assembly	1	37190-4-1
	7004 Schematic	1	37190-7-1
5	Test Assembly	1	37197-4-1
7	Bottom Cover Assembly	1	45065-3
9	End Trim	4	39033
11	Top Trim	2	39859-3
13	Handle	2	33570-3
15	Front Trim	2	37230-6-1
17	Readout Window	1	37202-1-1
19	Trim Strip	1	37203-1-1
21	Foil Cal. Trim Strip	1	37203-6-1
23	Label	1	23456
25	Line Cord	1	W0076
26	Cover Mtg. Bracket	2	39857
27	Cover Top	1	33567-3
	100 V Assembly		37473-4-1
	BCD Option 05 Assembly		37218-4-1
	Battery Pack Option 09 Assembly		37219-4-1
	Front Cover Assembly		37229-4-1
	Test Probe Kit		37232-4-1
	Rack Mount Kit Single		45410-3
	Rack Mount Kit Dual		37492-8-1

7004-8-72

A1 COUNT CHAIN & READOUT P.C. ASSEMBLY PARTS LIST

Ref.	Description	Part No.
A1	Count Chain & Readout P.C. Assembly	D37215-4-1
	Count Chain & Readout Schematic	D37215-7-1
C1	Capacitor, 01 μ F, Disc	C0556
C2	Capacitor, 01 μ F, Disc	C0556
C3	Capacitor, 100 μ F, 10 V, Electro	C0660
C4	Capacitor, .002 μ F, 500 V	C0328
C5	Capacitor, .05 μ F, 100 V	R0672
C6	Capacitor, 100 μ F, 25 V	C0832
C7	Capacitor, 330 pF, 500 V	C0898
C8	Capacitor, .0022 μ F, 200 V	C0687
C9	Capacitor, .0022 μ F, 200 V	C0687
C10	Capacitor, 330 pF, 500 V	C0898
C11	Capacitor, 01 μ F, Disc	C0556
C12	Capacitor, 01 μ F, Disc	C0556
C13	Capacitor, 01 μ F, Disc	C0556
C14	Capacitor, 01 μ F, Disc	C0556
C15	Capacitor, 01 μ F, Disc	C0556
C16	Capacitor, .001 μ F, 500 V	C0424
C17	Capacitor, .001 μ F, 500 V	C0424
C18	Capacitor, 470 pF, 300 V	C0542
C19	Capacitor, .001 μ F, 500 V	C0424
CR1	Diode, Light Emitting	CR0367
CR2	Diode, 1N4151	CR0150
CR3	Diode, 1N4151	CR0150
Q1	Transistor, 2N3638	Q0181
Q2	Transistor, 2N3569	Q0318
Q3	Transistor, 2N5831	26004021
Q4	Transistor, 2N5831	26004021
Q5	Transistor, 2N3694	26012660
Q6	Transistor, 2N3568	Q0180
Q7	Transistor, 2N5831	26004021
Q8	Transistor, 2N5831	26004021
Q9	Transistor, 2N5831	26004021
Q10	Transistor, 2N5831	26004021
Q11	Transistor, 2N5831	26004021
R1	Resistor, 150 Ω , 1/4 W, 5%	R0983
R2	Resistor, 39 Ω , 1/4 W, 5%	R1552
R3	Resistor, 33 K, 1 W, 5%	R1263
R4	Resistor, 33 K, 1 W, 5%	R1263
R5	Resistor, 33 K, 1 W, 5%	R1263

SD

A1 COUNT CHAIN & READOUT P.C. ASSEMBLY PARTS LIST (Cont'd)

SD

Part No.

R1263 R1263

R0821 R0821 R0742

R0742 R1044 R0760 R0734 R0742

R0742 R1044 R0742 R0766 R0766

R0766 R0766 R0766 R0711 R0711 R0783

R0765 R0694 R0694 R0766 R0766

R0766 R0766 R0766 R0728

019707 019707 019707 019707 045200 045201

Ref. Description

R6 Resistor, 33 k, 1 W, 5% Resistor, 33 k, 1 W, 5%

R7 Not Used

R8 Not Used

R9 Not Used

R10 Not Used

R11 Not Used

R12 Not Used

R13 Resistor, 5.6 k, 1/4 W, 5%

R14 Resistor, 5.6 k, 1/4 W, 5%

R15 Resistor, 3.3 k, 1/4 W, 5%

R16 Resistor, 3.3 k, 1/4 W, 5%

R17 Resistor, 470 Ω, 1/4 W, 5%

R18 Resistor, 220 Ω, 1/4 W, 5%

R19 Resistor, 2 k, 1/4 W, 5%

R20 Resistor, 3.3 k, 1/4 W, 5%

R21 Resistor, 3.3 k, 1/4 W, 5%

R22 Resistor, 470 Ω, 1/4 W, 5%

R23 Resistor, 3.3 k, 1/4 W, 5%

R24 Resistor, 10 k, 1/4 W, 5%

R25 Resistor, 10 k, 1/4 W, 5%

R26 Resistor, 10 k, 1/4 W, 5%

R27 Resistor, 10 k, 1/4 W, 5%

R28 Resistor, 3 k, 1/4 W, 5%

R29 Resistor, 3 k, 1/4 W, 5%

R30 Resistor, 1.5 k, 1/4 W, 5%

R31 Resistor, 1 k, 1/4 W, 5%

R32 Resistor, 270 Ω, 1/4 W, 5%

R33 Resistor, 270 Ω, 1/4 W, 5%

R34 Resistor, 10 k, 1/4 W, 5%

R35 Resistor, 10 k, 1/4 W, 5%

R36 Resistor, 10 k, 1/4 W, 5%

R37 Resistor, 10 k, 1/4 W, 5%

R38 Resistor, 10 k, 1/4 W, 5%

R39 Resistor, 15 k, 1/4 W, 5%

U1 Integrated Circuit, SN7441AN

U2 Integrated Circuit, SN7441AN

U3 Integrated Circuit, SN7441AN

U4 Integrated Circuit, SN7441AN

U5 Integrated Circuit, SN74L73N

U6 Integrated Circuit, SN74L75N

U7 Integrated Circuit, SN74L75N

A1 COUNT CHAIN & READOUT P.C. ASSEMBLY PARTS LIST (Cont'd)

Ref.	Description	Part No.
U8	Integrated Circuit, SN74L75	045201
U9	Integrated Circuit, SN74L75	045201
U10	Integrated Circuit, SN74L90N	045202
U11	Integrated Circuit, SN74L90N	045202
U12	Integrated Circuit, SN74L90N	045202
U13	Integrated Circuit, SN74L90N	045202
U14	Integrated Circuit, SN7400N	025730
U15	Integrated Circuit, SN74L00N	025796
U16	Integrated Circuit, SN74L00N	025796
U17	Integrated Circuit, SN74L51N	025799
U18	Integrated Circuit, SN74L00N	025796
U19	Integrated Circuit, SN74L00N	025796
U20	Integrated Circuit, SN74L00N	025796
U21	Integrated Circuit, SN7493N	25715
U22	Integrated Circuit, SN74L20N	025798
U23	Integrated Circuit, SN74L00N	025796
U24	Integrated Circuit, SN74L04N	045204
U25	Integrated Circuit, SN74L04N	045204
V1	Tube, Readout	V0132
V2	Tube, Readout	V0132
V3	Tube, Readout	V0132
V4	Tube, Readout	V0132
V5	Tube, Readout	V0132
XV1	Socket Readout Tube	X0179
XV2	Socket Readout Tube	X0179
XV3	Socket Readout Tube	X0179
XV4	Socket Readout Tube	X0179
XV5	Socket Readout Tube	X0179
XU1	IC Sockets	X0185
XU2	IC Sockets	X0185
XU3	IC Sockets	X0185
XU4	IC Sockets	X0185
DS1	Lamp	10050
	Tube Retainer Assembly	B37206-4-1
	Minus Bracket Assembly	B37235-4-1

NLS750-5
National Electronics
Japan

A2 SWITCH P.C. ASSEMBLY PARTS LIST

Ref.	Description	Part No.
A2	Switch P.C. Board Assembly	D37217-4-1
	Switch P.C. Schematic	D37217-7-1
C1	Capacitor, .1 μ F, 600 V	03285090
C2	Capacitor, 7100 μ F, 10 V	C1188
C3	Capacitor, .22 μ F, 600 V	03286700
C4	Capacitor, 500 μ F, 50 V	C1243
C5	Capacitor, .047 μ F, 600 V	C0793
C6	Capacitor, .047 μ F, 600 V	C0793
C7	Capacitor, 100 pF, 500 V	C0536
C8	Capacitor, 500 μ F, 50 V	C1243
C9	Capacitor, Factory Selected	Cxxx
C10	Capacitor, .1 μ F, 50 V	C0881
C11	Capacitor, 200 μ F, 500 V	C0538
C12	Capacitor, .05 μ F, 100 V	C0708
C13	Capacitor, 390 pF, 500 V	C0871
C14	Capacitor, .05 μ F, 100 V	C0708
C15	Not Used	
C16	Capacitor, .05 μ F, 100 V	C0708
C17	Capacitor, 390 pF, 500 V	C0871
C18	Capacitor, .1 μ F, 50 V	C0881
C19	Capacitor, .05 μ F, 100 V	C0708
C20	Capacitor, .1 μ F, 200 V, Met. MY1	C0382
C21	Capacitor, .05 μ F, 100 V	C0708
C22	Capacitor, 100 pF, 500 V	C0536
C23	Capacitor, .1 μ F, 200 V Met. MY1.	C0382
C24	Capacitor, 390 pF, 500 V	C0871
C25	Capacitor, .1 μ F, 200 V, Met. MY1.	C0382
C26	Capacitor, .1 μ F, 200 V, Met. MY1.	C0382
C27	Capacitor, 390 pF, 500 V	C0871
C28	Capacitor, .05 μ F, 100 V	C0708
C29	Capacitor, .05 μ F, 100 V	C0708
C30	Capacitor, 33 pF, 500 V	C0531
C31	Capacitor, 5 pF, 500 V	C1071
C32	Capacitor, .8-8.5 pF, Trimmer	C1291
C33	Capacitor, .05 μ F, 100 V	C0708
C34	Capacitor, 560 pF, 300 V	C0644
C35	Capacitor, .05 μ F, 100 V	C0708
C36	Capacitor, .05 μ F, 100 V	C0708
C37	Capacitor, .05 μ F, 100 V	C0708
C38	Capacitor, 33 pF, 500 V	C0531
C39	Not Used	

A2, SWITCH P.C. ASSEMBLY PARTS LIST (Cont'd)

Ref.	Description	Part No.
C40	Capacitor, .05 μ F, 100 V	C0708
C41	Capacitor, 1 μ F, 50 V	C1272
C42	Capacitor, .01 μ F, 100 V, 5%	C1295
C43	Capacitor, 1000 pF, 300 V	C1144
C44	Capacitor, .001 μ F, D.M.	C0742
C45	Not used	
C46	Not used	
C47	Capacitor, .8-4.5 pF, Trimmer	03270200
C48	Capacitor, .8-4.5 pF, Trimmer	03270200
C49	Capacitor, .8-4.5 pF, Trimmer	03270200
C50	Capacitor, 10 pF, 500 V	C0527
C51	Capacitor, 10 pF, 500 V	C0527
C52	Capacitor, 68 pF, 500 V	C0635
C53	Capacitor, .05 μ F, 100 V	C0708
C54	Capacitor, .1 μ F, 1.2 KV	03286130
C55	Capacitor, .05 μ F, 100 V	C0708
C56	Capacitor, .05 μ F, 100 V	C0708
CRL1	Diode, IN4005	CR0284
CR2	Diode, IN4005	CR0284
CR3	Diode, IN4005	CR0284
CR4	Diode, IN4005	CR0284
CR5	Diode, IN4005	CR0284
CR6	Diode, IN4005	CR0284
CR7	Diode, IN4005	CR0284
CR8	Diode, IN4151	CR0150
CR9	Diode, IN4151	CR0150
CR10	Diode, IN4151	CR0150
CR11	Diode, IN4151	CR0150
CR12	Diode, IN4151	CR0150
CR12	Diode, IN4151	CR0150
CR13	Diode, IN4151	CR0150
CR14	Diode, IN4151	CR0150
CR15	Diode, IN4005	CR0284
CR16	Diode, IN4005	CR0284
CR17	Diode, IN4005	CR0284
CR18	Diode, IN4005	CR0284
CR19	Diode, IN4005	CR0284
CR20	Diode, IN4005	CR0284
CR21	Diode, IN4005	CR0284
VR1	Diode, Zener, FZ902	26015850

SD

A2 SWITCH P.C. ASSEMBLY PARTS LIST (Cont'd)

SD

Part No

Ref.	Description	Part No
VR2	Diode, Zener, FZ902	26015850
VR3	Diode, Zener, 2N3640, Selected	37486
VR4	Diode, Zener, 1N959B	CR0346
VR5	Diode, Zener, 1N827	CR0162
VR6	Diode, Zener, FZ902	26015850
VR7	Diode, Zener, FZ902	26015850
VR8	Diode, Zener, FZ902	26015850
VR9	Diode, Zener, FZ901	26015850
VR10	Diode, Zener, FZ902	26015850
VR11	Diode, Zener, 1N753A	26014210
VR12	Diode, Zener, 1N963B	CR0174
VR13	Diode, Zener, FZ901	26015840
VR14	Diode, Zener, FZ902	26015850
VR15	Diode, Zener, 1N963B	CR0174
VR16	Diode, Zener, 1N968B	CR0265
Q1	Transistor, Sp 2365A	Q0302
Q2	Transistor, 2N3638	Q0181
Q3	Not Used	
Q4	Transistor, 2N2905	Q0259
Q5	Transistor, SN3954	26013160
Q6	Transistor, 2N4023	26013950
Q7	Transistor, 2N3693, Selected	37490
Q8	Transistor, 2N4917	26014620
Q9	Transistor, 2N3693, Selected	37490
Q10	Transistor, Sp 2365A	Q0302
Q11	Transistor, 2N3693, Selected	37490
Q12	Transistor, 2N4093	Q0301
Q13	Transistor, 2N4093	Q0301
Q14	Transistor, 2N4093	Q0301
Q15	Transistor, 2N4393	Q0316
Q16	Transistor, 2N3568	Q0180
Q17	Transistor, 2N3568	Q0180
Q18	Transistor, 2N3568	Q0180
Q19	Transistor, 2N3568	Q0180
Q20	Transistor, 2N3638	Q0181
Q21	Transistor, 2N3638	Q0181
Q22	Transistor, 2N3638	Q0181
Q23	Transistor, 2N3638	Q0181
Q24	Transistor, 2N3072	26008560
Q25	Transistor, 2N3693, Selected	37490
Q26	Transistor, 2N3440	Q0319
Q27	Not Used	

A2 SWITCH P.C. ASSEMBLY PARTS LIST (Cont'd)

Ref.	Description	Part No.
Q28	Transistor, 2N6103	Q0317
R1	Factory Selected	Rxxxx
R2	Resistor, 900 Ω , .1%, .3 W	R2807
R3	Resistor, 90 Ω , .1%, .3 W	R2808
R4	Resistor, 9 Ω , .1%, .3 W	R2809
R5	Resistor, 1 Ω , .1%, 5 W	R2810
R6	Not Used	
R7	Resistor, 560 k, 5%, 1/2 W	02031140
R8	Resistor, 8.87 M, 1%, 2 W	R2851
R9	Resistor, 500 k, Potentiometer	R2847
R10	Resistor, 887 k, 1%, 1/4 W	R2848
R11	Resistor, 50 k, Potentiometer	R2783
R12	Resistor, 88.7 k, 1%, 1/4 W	R2845
R13	Resistor, 5 k, Potentiometer	01111360
R14	Resistor, 8.87 k, 1%, 1/4 W	R2840
R15	Resistor, 500 Ω , Potentiometer	R2821
R16	Resistor, 1 k, .05%, 1/4 W	R2832
R17	Resistor, 430 k, 5%, 1/2 W	R0276
R18	Resistor, 430 k, 5%, 1/2 W	R0276
R19	Resistor, 3.6 k, 5%, 1/4 W	R0938
R20	Resistor, 5.62 k, 1%, 1/8 W	R2837
R21	Resistor, 35.7 k, 1%, 1/4 W	R2853
R22	Resistor, 470 Ω , 5%, 1/4 W	R1044
R23	Resistor, 8.199 k, 1%, 1/4 W	R2839
R24	Resistor, 820 Ω , 5%, 1/4 W, Selected	Rxxx
R25	Resistor, 1 k, Potentiometer	R2816
R26	Resistor, 35.7 k, 1%, 1/4 W	R2853
R27	Resistor, 50 Ω , Potentiometer	R2822
R28	Resistor, 10 k, 1%, 3 W	02421000
R29	Resistor, 330 Ω , 5%, 1/4 W	R0662
R30	Resistor, 5.6 Ω , 5%, 1/4 W	R2498
R31	Resistor, 15 k, 1%, 1/4 W	R2073
R32	Resistor, 2.2 k, 5%, 1/4 W	R0749
R33	Resistor, 1.5 k, 5%, 1/4 W	R0783
R34	Resistor, 1 M, 5%, 1/4 W	R0962
R35	Resistor, 10 k, 1%, 1/4 W	R2455
R36	Resistor, 500 Ω , Potentiometer	R2821
R37	Resistor, 3.74 k, 1%, 1/4 W	R2824
R38	Resistor, 3 k, 5%, 1/4 W	R0711
R39	Resistor, 3 k, 5%, 1/4 W	R0711
R40	Resistor, 100 Ω , 5%, 1/4 W	R0966

SD

A2, SWITCH P.C. ASSEMBLY PARTS LIST (Cont'd)

Ref.	Description	Part No.
R41	Resistor, 100 Ω , 5%, 1/4 W	R0966
R42	Resistor, 50 k, Potentiometer	R2783
R43	Resistor, 976 k, 1%, 1/4 W	R2849
R44	Resistor, 10 k, 1%, 1/4 W	R2455
R45	Resistor, 2 k, 5%, 1/4 W	R0734
R46	Resistor, 5 k, Potentiometer	01111360
R47	Resistor, 88.7 k, 1%, 1/4 W	R2845
R48	Resistor, 5.03 k, 1%, 1/4 W	R2530
R49	Resistor, 1 k, 5%, 1/4 W	R0765
R50	Resistor, 500 Ω , Potentiometer	R2821
R51	Resistor, 1.47 k, 1%, 1/4 W	R2833
R52	Resistor, 499 Ω , 1%, 1/4 W	R2831
R53	Resistor, 301 Ω , 1%, 1/4 W	R2830
R54	Resistor, 8.06 k, 1%, 1/4 W	R2570
R55	Resistor, 1 M, 1%, 1/4 W	R2371
R56	Resistor, 1 M, 1%, 1/4 W	R2371
R57	Resistor, 10 k, 1%, 1/4 W	R2455
R58	Resistor, 2.74 k, 1%, 1/4 W	R1981
R59	Resistor, 200 Ω , Potentiometer	R2722
R60	Resistor, 1 M, 1%, 1/4 W	R2371
R61	Resistor, 1 M, 1%, 1/4 W	R2371
R62	Resistor, 221 Ω , 1%, 1/4 W	R2829
R63	Resistor, 20 Ω , Potentiometer	R2784
R64	Resistor, 35.7 k, 1%, 1/4 W	R2853
R65	Resistor, 49.9 k, 1%, 1/4 W	R2844
R66	Resistor, 1 k, 5%, 1/4 W	R0765
R67	Resistor, 1 k, 5%, 1/4 W	R0765
R68	Resistor, 49.9 k, 1%, 1/4 W	R2844
R69	Resistor, 49.9 k, 1%, 1/4 W	R2844
R70	Resistor, 100 k, 1%, 1/4 W	R2846
R71	Resistor, 50 k, Potentiometer	R2783
R72	Resistor, 35.7 k, 1%, 1/4 W	R2853
R73	Resistor, 1 k, 5%, 1/4 W	R0765
R74	Resistor, 1 k, 5%, 1/4 W	R0765
R75	Resistor, 1 M, 5%, 1/4 W	R0962
R76	Resistor, 4.7 k, 5%, 1/4 W	R0892
R77	Resistor, 220 k, 5%, 1/4 W	R0967
R78	Resistor, 270 Ω , 5%, 1/4 W	R0694
R79	Resistor, 1.62 k, 1%, 1/4 W	R2834
R80	Resistor, 2.49 k, 1%, 1/4 W	R2835
R81	Resistor, 220 k, 5%, 1/4 W	R0967

A2, SWITCH P.C. ASSEMBLY PARTS LIST (Cont'd)

SD

Part No

Ref.

Description

Part No	Description	Ref.
R0962	Resistor, 1 M, 5%, 1/4 W	R82
R2721	Resistor, 2 k, potentiometer	R83
R2822	Resistor, 50 Ω , potentiometer	R84
R2853	Resistor, 35.7 k, 1%, 1/4 W	R85
R2853	Resistor, 35.7 k, 1%, 1/4 W	R86
R0892	Resistor, 4.7 k, 5%, 1/4 W	R87
R2838	Resistor, 6.19 k, 1%, 1/4 W	R88
R2841	Resistor, 12.4 k, 1%, 1/4 W	R89
R0742	Resistor, 3.3 k, 5%, 1/4 W	R90
R0741	Resistor, 100 k, 5%, 1/4 W	R91
R0741	Resistor, 100 k, 5%, 1/4 W	R92
R0741	Resistor, 100 k, 5%, 1/4 W	R93
R0741	Resistor, 100 k, 5%, 1/4 W	R94
02379680	Resistor, 20 k, 1%, 1/2 W	R95
R2620	Resistor, 100 Ω , 1%, 1/4 W	R96
R0766	Resistor, 10 k, 5%, 1/4 W	R97
R0766	Resistor, 10 k, 5%, 1/4 W	R98
R0766	Resistor, 10 k, 5%, 1/4 W	R99
R0766	Resistor, 10 k, 5%, 1/4 W	R100
R0766	Resistor, 10 k, 5%, 1/4 W	R101
R0766	Resistor, 10 k, 5%, 1/4 W	R102
R0766	Resistor, 10 k, 5%, 1/4 W	R103
R0766	Resistor, 10 k, 5%, 1/4 W	R104
R0766	Resistor, 10 k, 5%, 1/4 W	R105
R2841	Resistor, 12.4 k, 1%, 1/4 W	R106
37225-6-1	Resistor, 1.0010 k, Part of Set	R107
37225-6-1	Resistor, 10.101 k, Part of Set	R108
37225-6-1	Resistor, 111.11 k, Part of Set	R109
37225-6-1	Resistor, 1 M, Part of Set	R110
37225-6-1	Resistor, 560 Ω , 5%, 1/4 W	R111
R0766	Resistor, 10 k, 5%, 1/4 W	R112
R0966	Resistor, 100 Ω , 5%, 1/4 W	R113
R0765	Resistor, 1 k, 5%, 1/4 W	R114
R0742	Resistor, 3.3 k, 5%, 1/4 W	R115
R0742	Resistor, 3.3 k, 5%, 1/4 W	R116
R0742	Resistor, 3.3 k, 5%, 1/4 W	R117
R0742	Resistor, 3.3 k, 5%, 1/4 W	R118
02381310	Resistor, 1 M, 1%, 1/2 W	R119
02381310	Resistor, 1 M, 1%, 1/2 W	R120
R2838	Resistor, 6.19 k, 1%, 1/4 W	R121
R2620	Resistor, 100 Ω , 1%, 1/4 W	R122

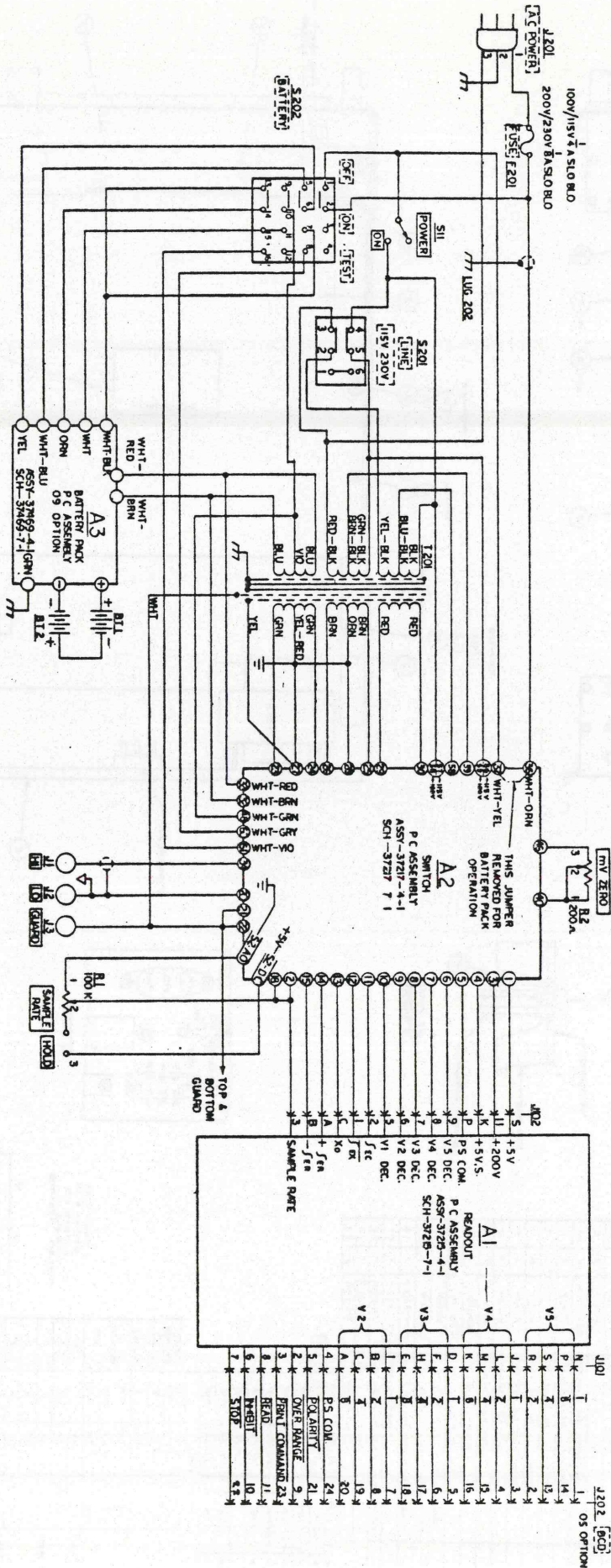
A2, SWITCH P.C. ASSEMBLY PARTS LIST (Cont'd)

Ref.	Description	Part No.
R123	Resistor, 820 Ω , 5%, 1/4 W	R0762
R124	Not used	
R125	Resistor, 15 k, 5%, 1/4 W	R0728
R126	Resistor, 15 k, 5%, 1/4 W	R0728
R127	Resistor, 15 k, 5%, 1/4 W	R0728
R128	Resistor, 15 k, 5%, 1/4 W	R0728
R129	Resistor, 1 k, 5%, 1/4 W	R0765
U1	Integrated Circuit, LM301A	025745
U2	Integrated Circuit, LM301A	025745
U3	Integrated Circuit, LM301A	025745
U4	Integrated Circuit, μ A723	025761
U5	Integrated Circuit, μ A723	025761
U6	Integrated Circuit, LM301A	025745
U7	Integrated Circuit, LM311	025792
TP1	Test Point, Brown	E0235
TP2	Test Point, Black	E0234
TP3	Test Point, Orange	E0237
TP4	Test Point, Yellow	E0238
TP5	Test Point, Green	E0239
TP6	Test Point, Blue	E0240
TP7	Test Point, Violet	E0241
TP8	Test Point, Grey	E0242
F1	Fuse, 1 1/2 A	F0046
F2	Fuse, 1/4 A S10 B10	F0067
F3	Fuse, 1/64 A Pigtail	F0069
S1	Switch, 10 Positive Pushbutton	S0411
S2	Switch, 10 Positive Pushbutton	S0411
S3	Switch, 10 Positive Pushbutton	S0411
S4	Switch, 10 Positive Pushbutton	S0411
S5	Switch, 10 Positive Pushbutton	S0411
S6	Switch, 10 Positive Pushbutton	S0411
S7	Switch, 10 Positive Pushbutton	S0411
S8	Switch, 10 Positive Pushbutton	S0411
S9	Switch, 10 Positive Pushbutton	S0411
S10	Switch, 10 Positive Pushbutton	S0411

SD

870	207200' TO 208700' 500000000	207200
871	207300' TO 208800' 500000000	207300
872	207400' TO 208900' 500000000	207400
873	207500' TO 209000' 500000000	207500
874	207600' TO 209100' 500000000	207600
875	207700' TO 209200' 500000000	207700
876	207800' TO 209300' 500000000	207800
877	207900' TO 209400' 500000000	207900
878	208000' TO 209500' 500000000	208000
879	208100' TO 209600' 500000000	208100
880	208200' TO 209700' 500000000	208200
881	208300' TO 209800' 500000000	208300
882	208400' TO 209900' 500000000	208400
883	208500' TO 210000' 500000000	208500
884	208600' TO 210100' 500000000	208600
885	208700' TO 210200' 500000000	208700
886	208800' TO 210300' 500000000	208800
887	208900' TO 210400' 500000000	208900
888	209000' TO 210500' 500000000	209000
889	209100' TO 210600' 500000000	209100
890	209200' TO 210700' 500000000	209200
891	209300' TO 210800' 500000000	209300
892	209400' TO 210900' 500000000	209400
893	209500' TO 211000' 500000000	209500
894	209600' TO 211100' 500000000	209600
895	209700' TO 211200' 500000000	209700
896	209800' TO 211300' 500000000	209800
897	209900' TO 211400' 500000000	209900
898	210000' TO 211500' 500000000	210000
899	210100' TO 211600' 500000000	210100
900	210200' TO 211700' 500000000	210200
901	210300' TO 211800' 500000000	210300
902	210400' TO 211900' 500000000	210400
903	210500' TO 212000' 500000000	210500
904	210600' TO 212100' 500000000	210600
905	210700' TO 212200' 500000000	210700
906	210800' TO 212300' 500000000	210800
907	210900' TO 212400' 500000000	210900
908	211000' TO 212500' 500000000	211000
909	211100' TO 212600' 500000000	211100
910	211200' TO 212700' 500000000	211200
911	211300' TO 212800' 500000000	211300
912	211400' TO 212900' 500000000	211400
913	211500' TO 213000' 500000000	211500
914	211600' TO 213100' 500000000	211600
915	211700' TO 213200' 500000000	211700
916	211800' TO 213300' 500000000	211800
917	211900' TO 213400' 500000000	211900
918	212000' TO 213500' 500000000	212000
919	212100' TO 213600' 500000000	212100
920	212200' TO 213700' 500000000	212200
921	212300' TO 213800' 500000000	212300
922	212400' TO 213900' 500000000	212400
923	212500' TO 214000' 500000000	212500
924	212600' TO 214100' 500000000	212600
925	212700' TO 214200' 500000000	212700
926	212800' TO 214300' 500000000	212800
927	212900' TO 214400' 500000000	212900
928	213000' TO 214500' 500000000	213000
929	213100' TO 214600' 500000000	213100
930	213200' TO 214700' 500000000	213200
931	213300' TO 214800' 500000000	213300
932	213400' TO 214900' 500000000	213400
933	213500' TO 215000' 500000000	213500
934	213600' TO 215100' 500000000	213600
935	213700' TO 215200' 500000000	213700
936	213800' TO 215300' 500000000	213800
937	213900' TO 215400' 500000000	213900
938	214000' TO 215500' 500000000	214000
939	214100' TO 215600' 500000000	214100
940	214200' TO 215700' 500000000	214200
941	214300' TO 215800' 500000000	214300
942	214400' TO 215900' 500000000	214400
943	214500' TO 216000' 500000000	214500
944	214600' TO 216100' 500000000	214600
945	214700' TO 216200' 500000000	214700
946	214800' TO 216300' 500000000	214800
947	214900' TO 216400' 500000000	214900
948	215000' TO 216500' 500000000	215000
949	215100' TO 216600' 500000000	215100
950	215200' TO 216700' 500000000	215200
951	215300' TO 216800' 500000000	215300
952	215400' TO 216900' 500000000	215400
953	215500' TO 217000' 500000000	215500
954	215600' TO 217100' 500000000	215600
955	215700' TO 217200' 500000000	215700
956	215800' TO 217300' 500000000	215800
957	215900' TO 217400' 500000000	215900
958	216000' TO 217500' 500000000	216000
959	216100' TO 217600' 500000000	216100
960	216200' TO 217700' 500000000	216200
961	216300' TO 217800' 500000000	216300
962	216400' TO 217900' 500000000	216400
963	216500' TO 218000' 500000000	216500
964	216600' TO 218100' 500000000	216600
965	216700' TO 218200' 500000000	216700
966	216800' TO 218300' 500000000	216800
967	216900' TO 218400' 500000000	216900
968	217000' TO 218500' 500000000	217000
969	217100' TO 218600' 500000000	217100
970	217200' TO 218700' 500000000	217200
971	217300' TO 218800' 500000000	217300
972	217400' TO 218900' 500000000	217400
973	217500' TO 219000' 500000000	217500
974	217600' TO 219100' 500000000	217600
975	217700' TO 219200' 500000000	217700
976	217800' TO 219300' 500000000	217800
977	217900' TO 219400' 500000000	217900
978	218000' TO 219500' 500000000	218000
979	218100' TO 219600' 500000000	218100
980	218200' TO 219700' 500000000	218200
981	218300' TO 219800' 500000000	218300
982	218400' TO 219900' 500000000	218400
983	218500' TO 220000' 500000000	218500
984	218600' TO 220100' 500000000	218600
985	218700' TO 220200' 500000000	218700
986	218800' TO 220300' 500000000	218800
987	218900' TO 220400' 500000000	218900
988	219000' TO 220500' 500000000	219000
989	219100' TO 220600' 500000000	219100
990	219200' TO 220700' 500000000	219200
991	219300' TO 220800' 500000000	219300
992	219400' TO 220900' 500000000	219400
993	219500' TO 221000' 500000000	219500
994	219600' TO 221100' 500000000	219600
995	219700' TO 221200' 500000000	219700
996	219800' TO 221300' 500000000	219800
997	219900' TO 221400' 500000000	219900
998	220000' TO 221500' 500000000	220000
999	220100' TO 221600' 500000000	220100

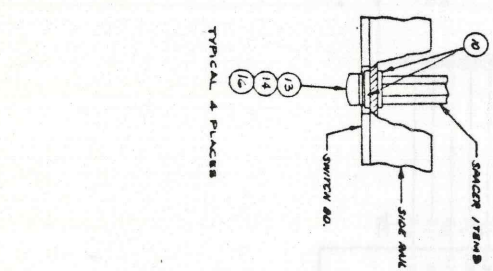
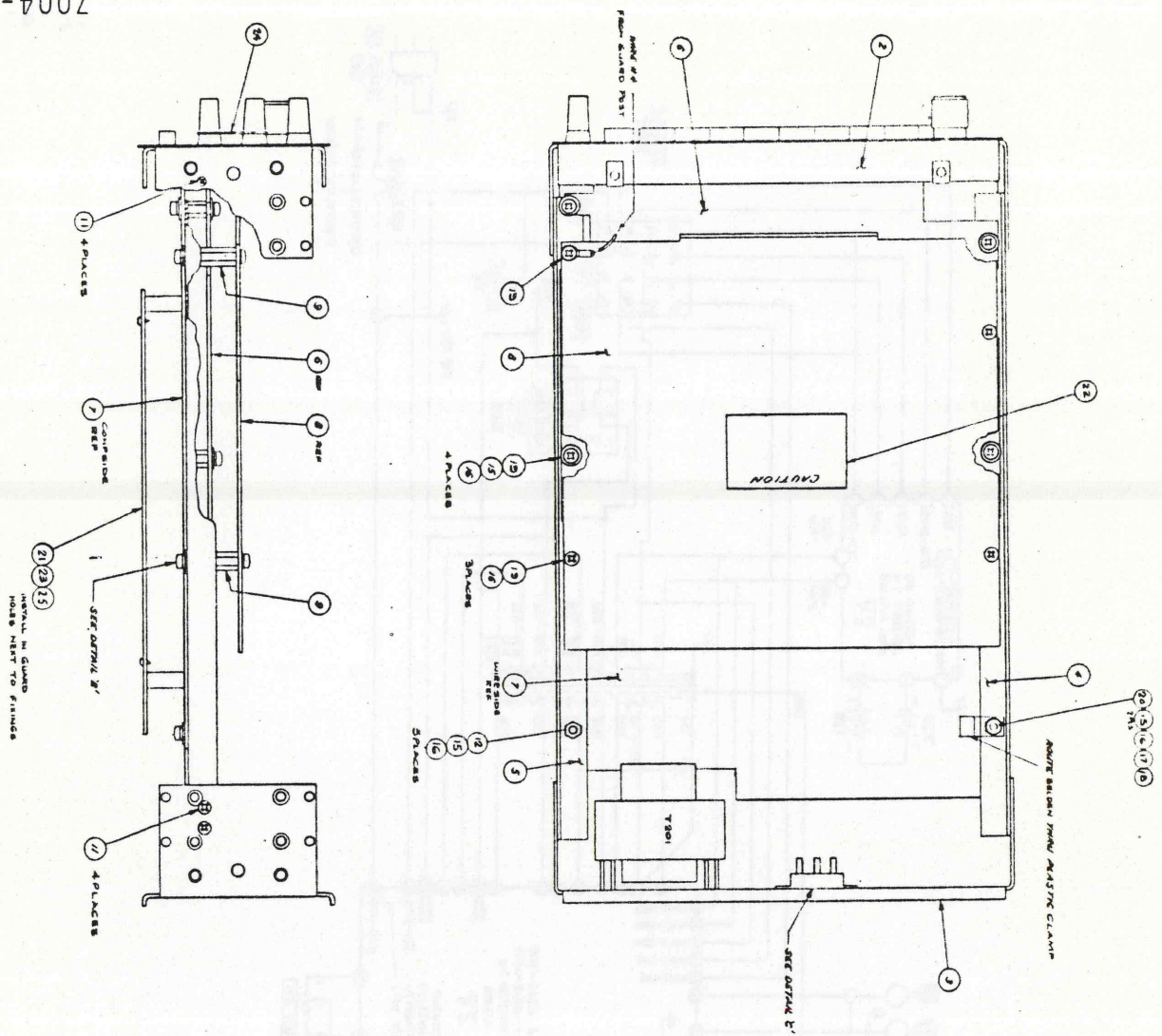
THE UNITED STATES GEOLOGICAL SURVEY WASHINGTON, D. C. 20540



CHAPTER 7
DRAWINGS

MODEL 7004, BLOCK DIAGRAM #D37190-7-1D

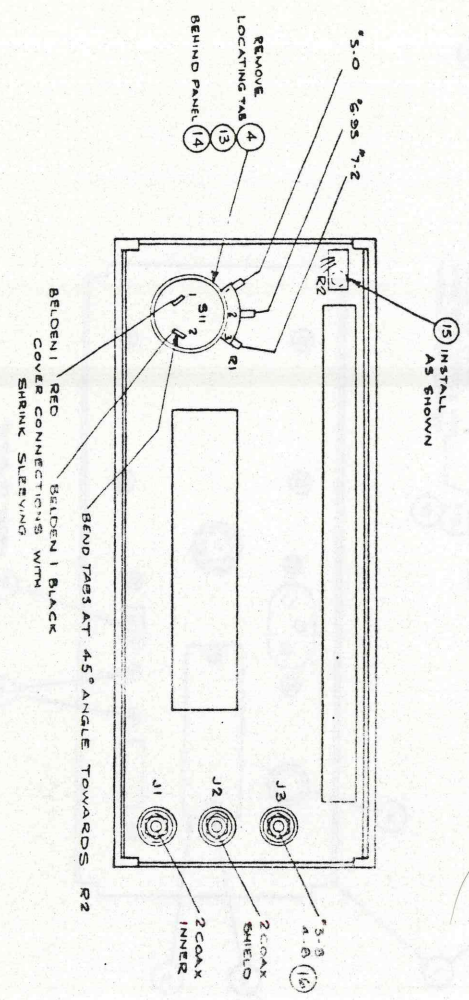
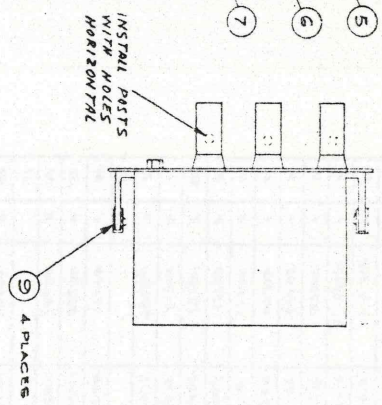
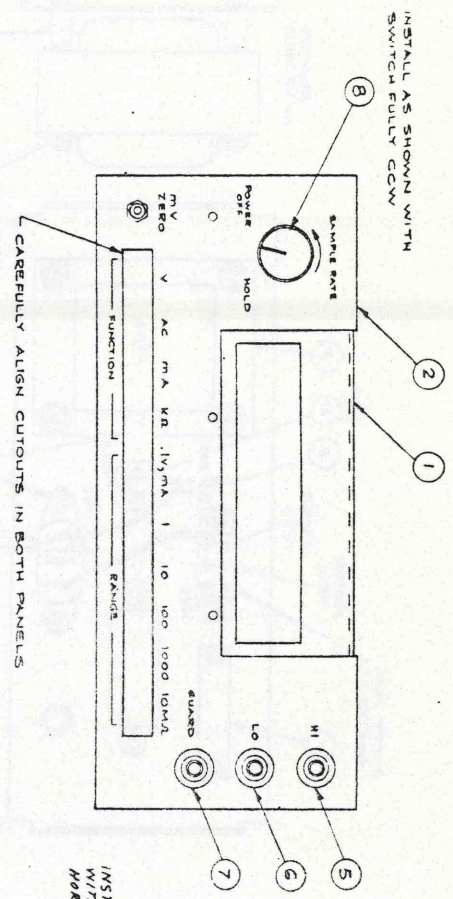
MODEL 7004 TEST ASSEMBLY #D37197-4-1D



NO.	QTY.	DESCRIPTION	REVISION
1	1	WIRE	
2	1	WIRE	
3	1	WIRE	
4	1	WIRE	
5	1	WIRE	
6	1	WIRE	
7	1	WIRE	
8	1	WIRE	
9	1	WIRE	
10	1	WIRE	
11	1	WIRE	
12	1	WIRE	
13	1	WIRE	
14	1	WIRE	
15	1	WIRE	
16	1	WIRE	
17	1	WIRE	
18	1	WIRE	
19	1	WIRE	
20	1	WIRE	
21	1	WIRE	
22	1	WIRE	
23	1	WIRE	
24	1	WIRE	

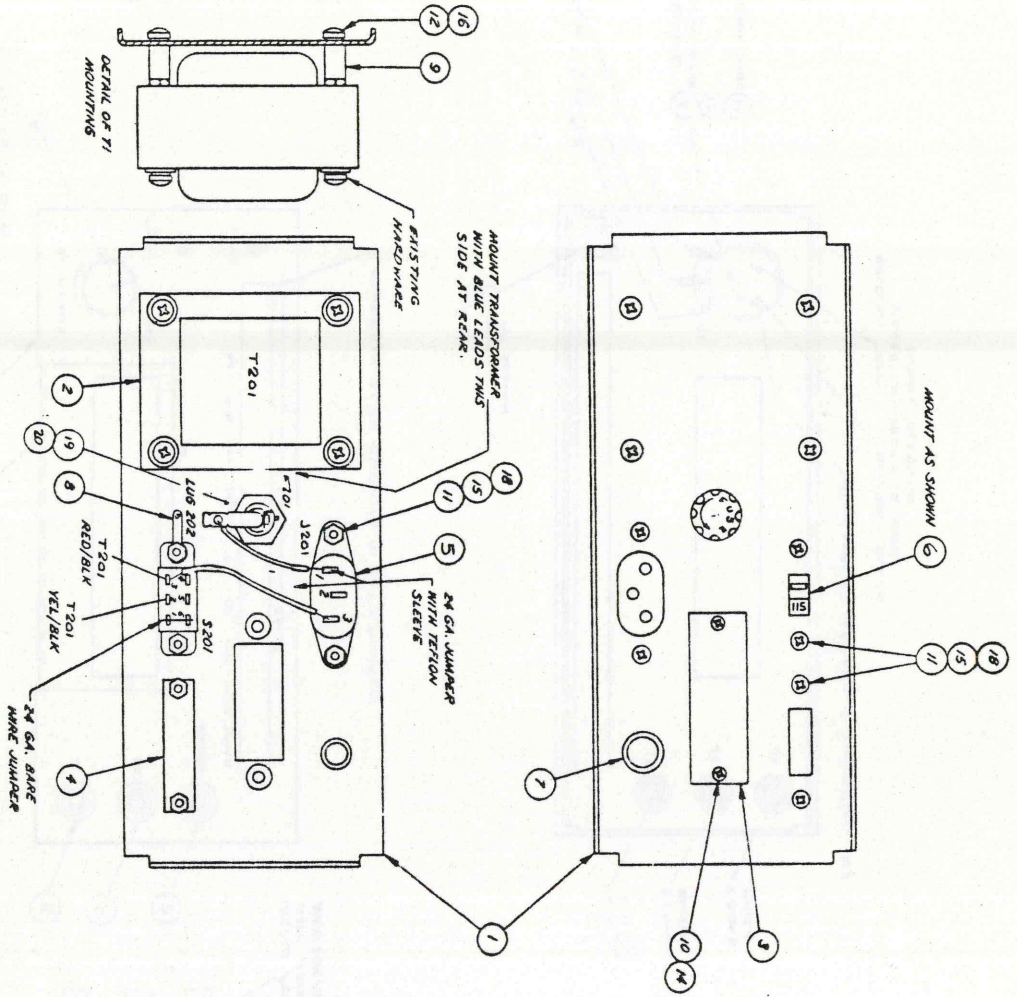
WIRE	SIZE	TYPE	QTY.
1	18	18	1
2	18	18	1
3	18	18	1
4	18	18	1
5	18	18	1
6	18	18	1
7	18	18	1
8	18	18	1
9	18	18	1
10	18	18	1
11	18	18	1
12	18	18	1
13	18	18	1
14	18	18	1
15	18	18	1
16	18	18	1
17	18	18	1
18	18	18	1
19	18	18	1
20	18	18	1
21	18	18	1
22	18	18	1
23	18	18	1
24	18	18	1

WIRE	SIZE	TYPE	QTY.
1	18	18	1
2	18	18	1
3	18	18	1
4	18	18	1
5	18	18	1
6	18	18	1
7	18	18	1
8	18	18	1
9	18	18	1
10	18	18	1
11	18	18	1
12	18	18	1
13	18	18	1
14	18	18	1
15	18	18	1
16	18	18	1
17	18	18	1
18	18	18	1
19	18	18	1
20	18	18	1
21	18	18	1
22	18	18	1
23	18	18	1
24	18	18	1



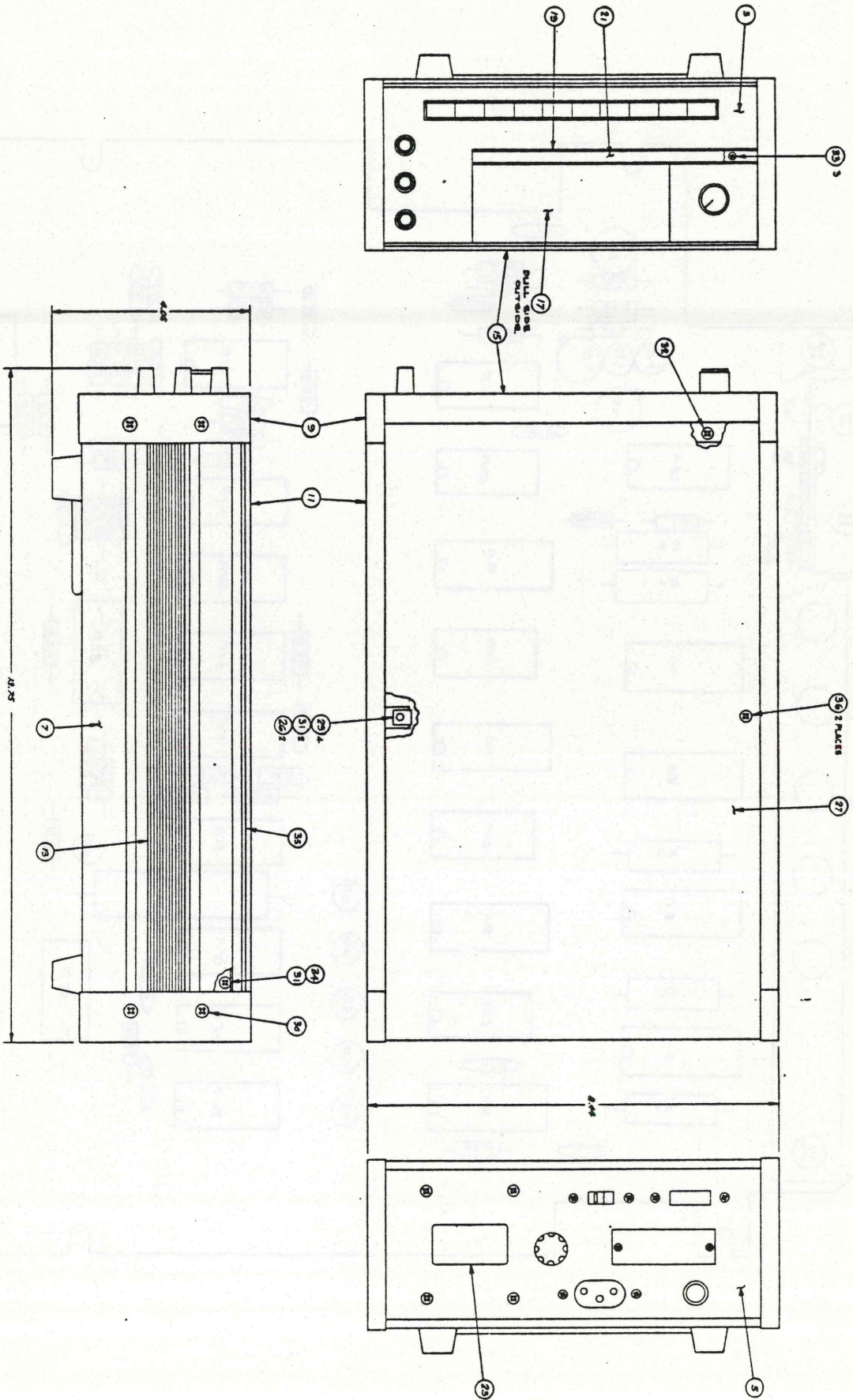
ITEM NO.	QTY	ITEM DESCRIPTION	PART OR ITEM #
16	1	FOUR	R2
15	1	R2828	SOLDER LUG #6
14	1	H0507	POT 200Ω
13	1	H0466	WASHER 3/8" NUT TOOTH NUT HEX 3/8-32
12			
10			
9	4	H1692	TINNERMAN NUT G-32
8	1	H1937	KNOB 1/4 SHAFT
7	1	09064490	BINDING POST WHITE
6	1	09064480	BINDING POST BLACK
5	1	09064470	BINDING POST RED
4	1	R2823	LOCK POT & SWITCH
3	1	A37198-5-1	WRELEST
2	1	C372016-1	FRONT PANEL DECORATIVE
1	1	C37199-1-1	FRONT SUB PANEL
			SEE LISTING
			ITEM NO.

MODEL 7004 FRONT PANEL ASSEMBLY #037198-4-1R



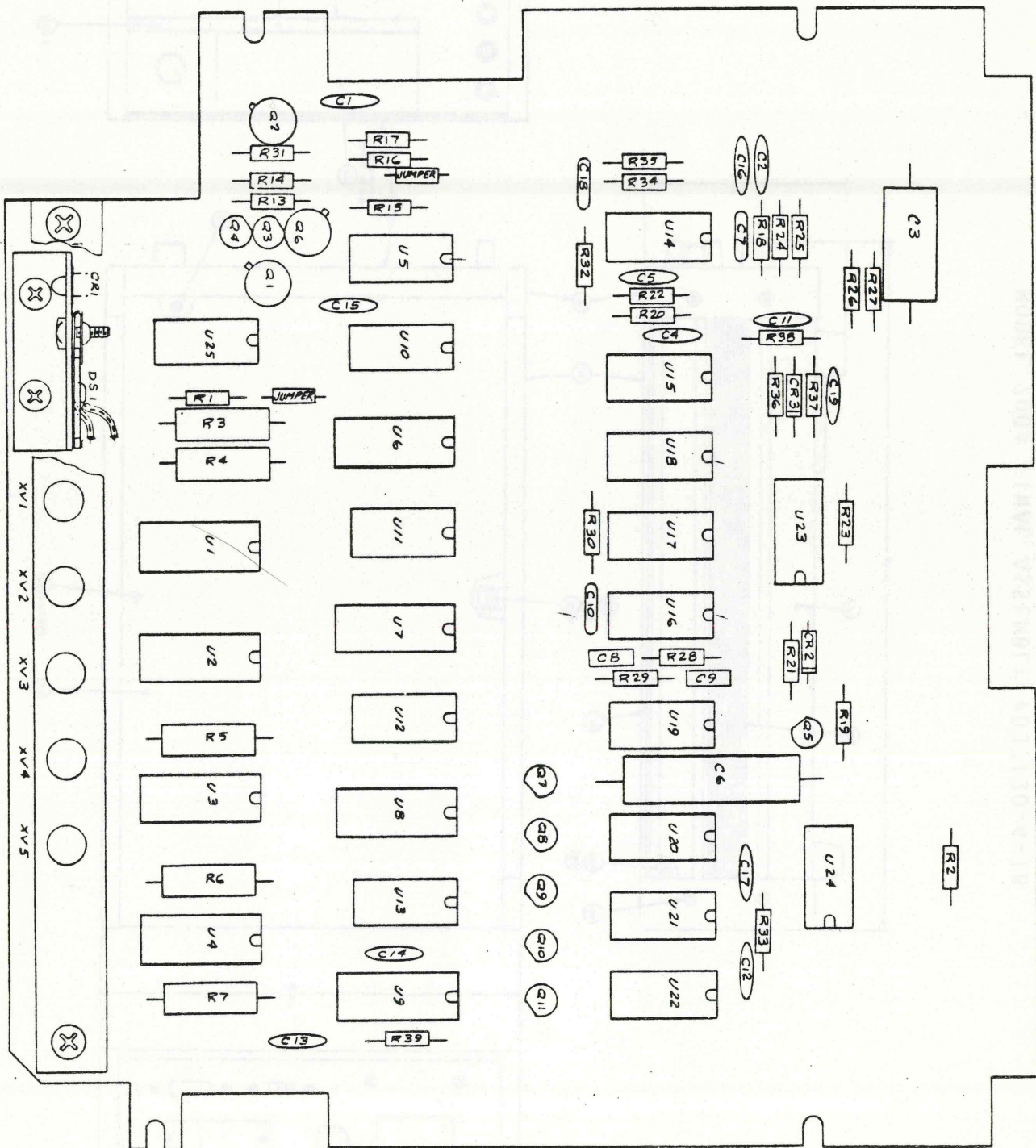
ITEM NO.	QTY	PART NUMBER	DESCRIPTION	REMARKS
20	1	F-0067	FUSE, 1/4A 510 B10 3AG	F201
19	1	X-0034	FUSE SOCKET	
18	6	N0249	NUT, 4-40HER	
17				
16	4	N0783	WASHER, #6 SPLIT LOCK	
15	4	N0782	WASHER, #8 SPLIT LOCK	
14	2	N0481	WASHER, #3 SPLIT LOCK	
13				
12	4	N0986	SCREW, 6-32 x 1/4 R HD	
11	6	N1273	SCREW, 4-40 x 5/16 R HD	
10	2	N0413	SCREW, 2-56 x 1/4 R HD	
9	4	E0225	SOLDER LUG, 6-32 x 1/2	LUG 202
8	1	N0539	GROMMET, 3/8 DIA.	
7	1	N1244	SWITCH, 115/230	S201
6	1	S0384	SWITCH	J201
5	1	V0506	SCREW	
4	1	30399-1-1	COVER PLATE	
3	1	30418-1-1	COVER PLATE	
2	1	32470-6-1	TRANSFORMER SPEC	T201
1	1	C32211-1-1	REAR PANEL	

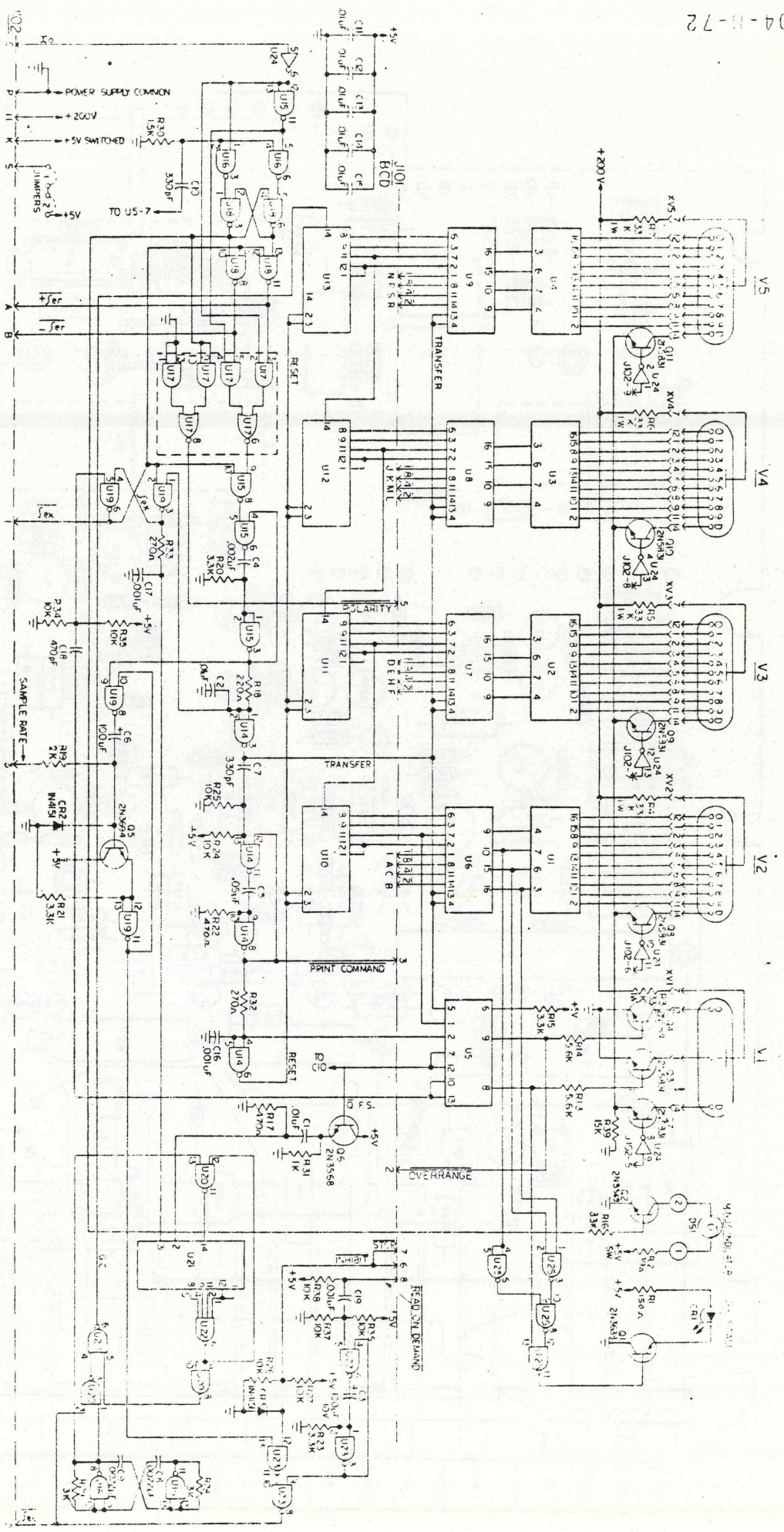
MODEL 7004 REAR PANEL ASSEMBLY #C37211-4-1D



MODEL 7004 FINAL ASSEMBLY #D37190-4-1B

A1, COUNT CHAIN & READOUT P.C. ASSEMBLY #D37215-4-1D

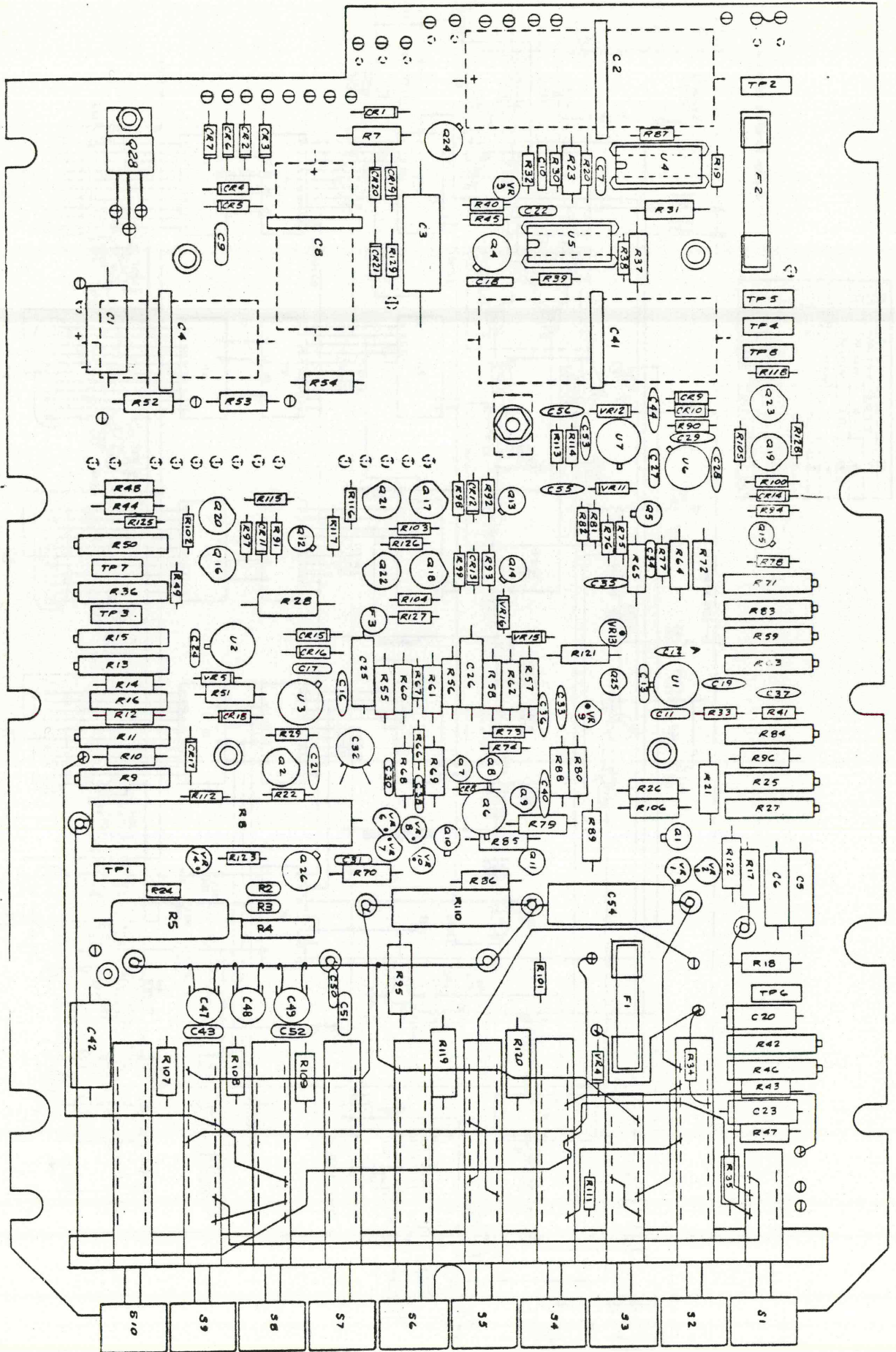




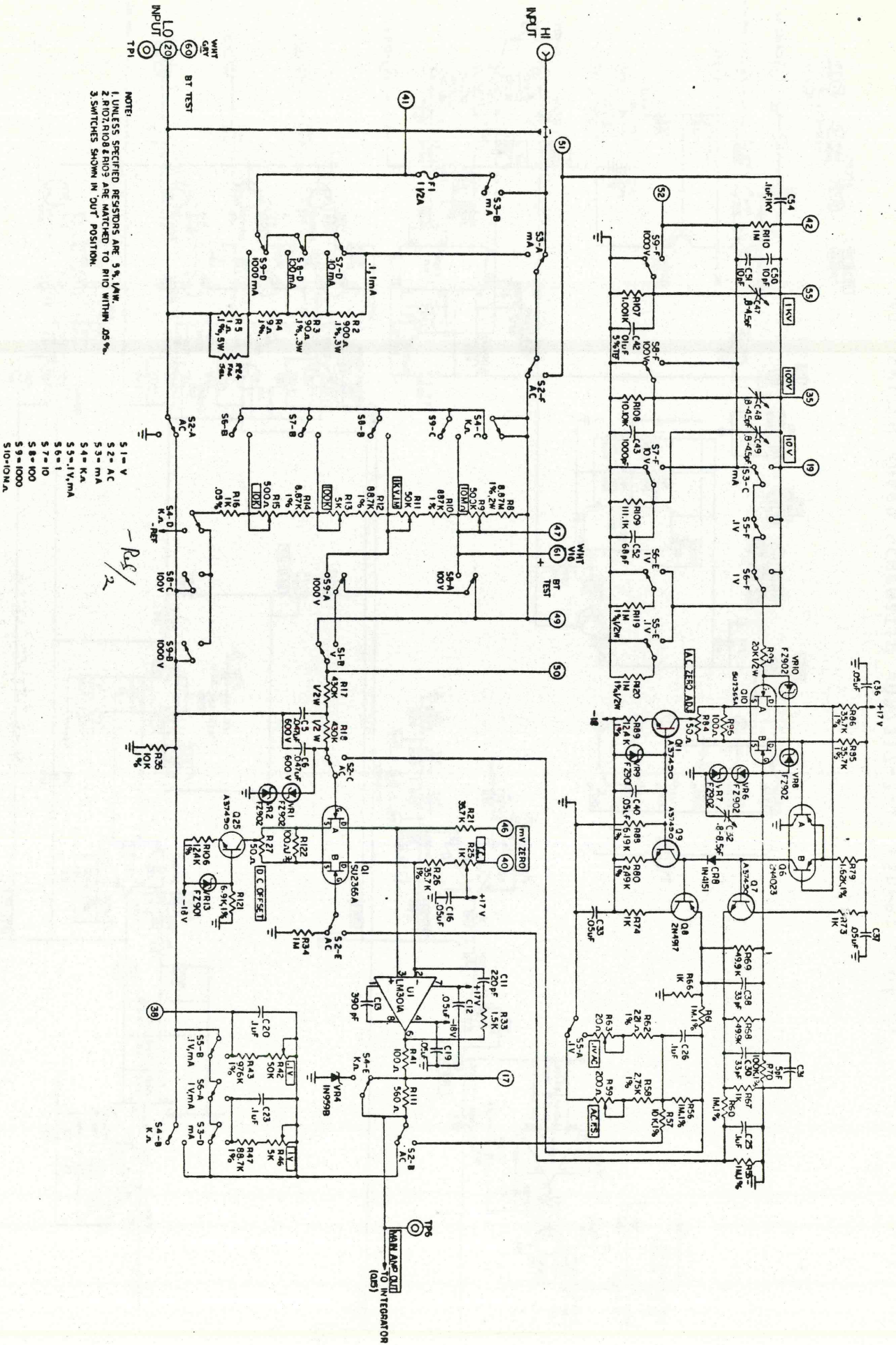
NOTE: ALL RESISTORS VA W UNLESS OTHERWISE SPECIFIED.

U	TYPE	AND PIN#	+5V PIN
1,2,3,4	SN74181N	12	3
5	SN74154N	11	3,4,14
6,7,8,9,10	SN74154N	12	5
11	SN74154N	12	5
12	SN74154N	12	5
13	SN74154N	12	5
14	SN74154N	12	5
15	SN74154N	12	5
16	SN74154N	12	5
17	SN74154N	12	5
18	SN74154N	12	5
19	SN74154N	12	5
20	SN74154N	12	5
21	SN74154N	12	5
22	SN74154N	12	5
23	SN74154N	12	5
24	SN74154N	12	5
25	SN74154N	12	5

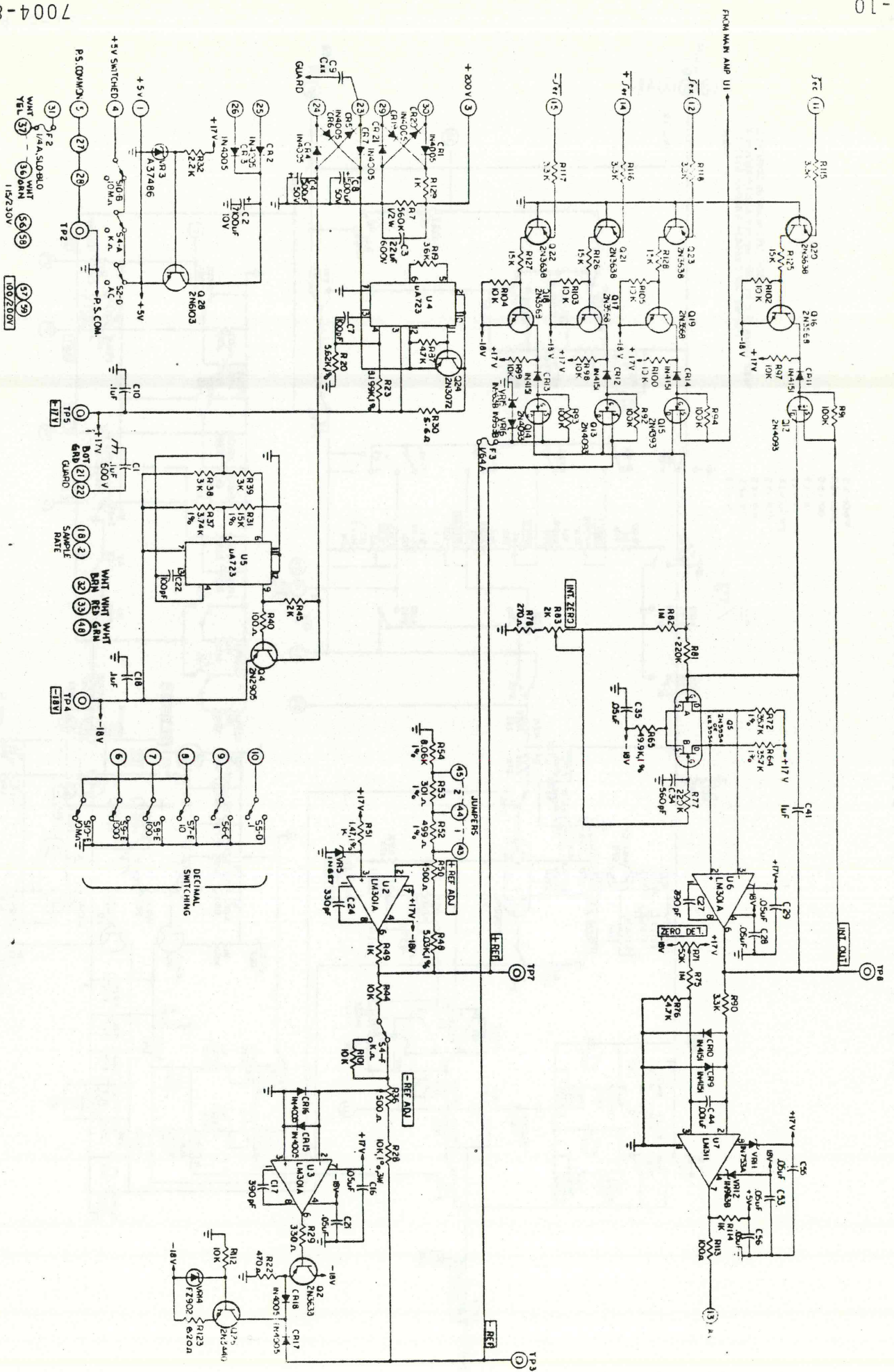
A1, COUNT CHAIN & READOUT SCHEMATIC #037215-7-19



A2, SWITCH P.C. ASSEMBLY #D37217-4-1C



A2, SWITCH BOARD SCHEMATIC #D37217-7-1C (Sheet 1 of 2)



A2, SWITCH BOARD SCHEMATIC #D37217-7-1C (Sheet 2 of 2)

CHAPTER 8
 OPTIONS AND ACCESSORIES

8.1 INTRODUCTION

This chapter contains descriptions of the standard options and accessories available for the Model 7004 Digital Multimeter. The two options described in this chapter are Option 05, Digital Outputs and Option 09, Battery Pack. The accessories include the three foot, color coded input test leads, the single rack mount kit, the dual rack mount kit, and the protective front panel snap cover.

8.2 OPTION 05, DIGITAL OUTPUTS (BCD)

This option provides non-isolated 1-2-4-8 BCD outputs and recorder control signals with DTL/TTL compatible logic levels. The input signal LOW and the BCD PS COMMON are tied together through a low internal impedance. Some degradation of common mode voltage and noise rejection should be anticipated when connected to an unbuffered or non-isolated recording device. Note: the outputs are not short circuit proof.

The outputs on J202, rear panel connector (AMPHENOL #57-40240) provide four BCD digits, V2 (10^3), V3 (10^2), V4 (10^1), and V5 (10^0) with one line (true) each for OVERRANGE, MINUS POLARITY, and PRINT COMMAND. Binary "1" or "True" is greater than +2.4 volts with a 200 μ A source. The binary "0" or "False" is 0 to +0.5 volts with a 8 mA sink.

The inputs on J202 are all single lines with the "false" state accepting ground true logic. The external READ ON COMMAND line produces a single measurement per command. The INHIBIT line and the STOP line inhibit or complete the measurement cycle.

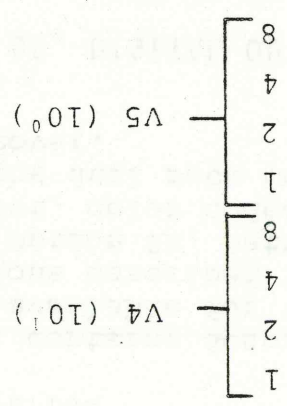
TABLE 8-1 BCD PIN ASSIGNMENTS

J202 PIN	J2 5103	FUNCTION
7	7	1
8	8	2
19	32	4
20	33	8
5	5	1
6	6	2
17	30	4
18	31	8

7004-8-72

TABLE 8-1 BCD PIN ASSIGNMENTS (Cont'd)

J202 PIN	5103 J2	FUNCTION
3	3	1
4	4	2
15	28	4
16	29	8
1	1	1
2	2	2
13	26	4
14	27	8
24	49, 50	PS COMMON
21	21	MINUS POLARITY
9	9	OVERRANGE
23	48	PRINT COMMAND
11	N.C.	READ ON COMMAND
22	49, 50 switched	STOP
10	47	INHIBIT



1. Grounds in Model 5103 must be isolated.

2. Negative readings are printed in red.

Notes:

8.3 OPTION 09, BATTERY PACK

The Option 09 Battery Pack allows operation of the Model 7004 Multimeter for up to six hours from the self contained storage batteries before necessary re-charging. The Battery Pack circuitry has two major sections, a dc to ac inverter and an automatic battery charger. (Note: install fuse A3F1 on inverter board.)

8.3.1 DC TO AC INVERTER (SCHEMATIC C37469-7-1)

The dc to ac inverter circuit is a current limited, short circuit proof, driven inverter providing high efficiency power conversion and reliable operation. Excessive load current drain on any transformer winding due to another circuit failure or an inadvertent short circuit will not damage the inverter. Conventional square wave inverter operation is not used. Instead, each driver transistor conducts only 25% of the duty cycle, which produces a square wave when full wave rectified. This technique permits reliable operation of the readout tubes at reduced power levels from that required for conventional dc operation. Operating the tubes on a pulsed basis also allows high peak currents to prevent partial number glow due to cathode sublimation after long service life while still permitting low average power consumption.

The 25% duty cycle waveforms with 180° phase displacement drive the push-pull inverter power transistors, A3Q3 & Q3Q4. These waveforms are derived from a square wave clock generator, A3U1, followed by a two stage ripple counter composed of a dual J-K flip-flop A3U2 and appropriate logic circuitry A3U1. The basic square wave clock frequency is approximately 400 Hz producing an inverter drive frequency of 100 Hz, non-square wave.

Current limiting and overload protection is provided in this circuit. Since normal current levels through A3R7 will not develop sufficient voltage to exceed the base-emitter turn-on threshold voltage, A3Q1 is normally off. If an output overload causes excessive conduction through power transistors A3Q3 and A3Q4, the voltage developed across A3R7 will increase and turn on A3Q1. The drive current is then shunted from the bases of the power transistors, thereby limiting the current they deliver. In the event of an inverter malfunction, further protection is provided by Fuse A3F1. An output load short will not blow A3F1, however; when the inverter is functioning properly, since the battery current drain is limited by the action of A3Q1.

A3Q6, A3CR8, and A3Q7 with associated components perform the dual function of regulating the +5 V logic voltage and serve as an electronic power switch to turn the inverter drive on or off depending on whether BATTERY or LINE operation has been selected.

8.3.2 AUTOMATIC BATTERY CHARGER

The charger circuit is automatic and is connected to the battery when the instrument is operated on the power line. This circuit will provide a constant current charge to a discharged battery until it reaches a full charge condition. At the full charge condition the current tappers off to provide a constant FLOAT voltage of 13.7 to 13.8 V which is the ideal standby condition for maximum battery life. Since the FLOAT voltage is very accurately maintained, the battery remains fully charged. A completely discharged battery requires approximately 16 hours to recharge.

The charger circuit consists of an integrated circuit voltage regulator A303, power transistor A308, current sensing resistor A3R16, voltage sensing resistor divider A3R17, A3R18, and A3R19. The same transformer winding driven by the inverter circuit in battery operation is utilized as a charger supply when the instrument is operated from the ac power lines. A full wave bridge rectifier A3CR1, A3CR2, A3CR3, and A3CR4 supplies an unfiltered dc input to the regulator circuit. Current limited pulses are fed to the battery through rectifier A3CR7 when the battery is charging. Constant voltage amplitude pulses are applied through A3CR7 when the battery charge condition is high enough so the current drawn does not produce current limiting in the regulator.

The battery FLOAT voltage is set at 13.7 to 13.8 volts at the factory and should normally not require attention. If re- adjustment of the FLOAT voltage should be required substitute a large electrolytic capacitor of at least 5,000 mF paralleled with a 10 k resistor for the battery. Monitor the voltage across the capacitor with the DM and adjust the voltage to 13.7-13.8 V. This adjustment is very difficult to perform in any reasonable period of time with a battery connected to the charger.

The BATTERY TEST position on the rear panel slide switch S202 operates the instrument on its own internal batteries and displays the battery voltage under normal load on the readout. The end-of-life battery voltage is approximately 11 volts. Normal full charge voltage will be in excess of 12.5 volts under load. The instrument should be on the 10 VDC range and function with nothing connected to the input terminals when BATTERY TEST is operated. If the battery voltage will not operate the instrument, the battery voltage may be measured directly across the input terminals using a very high impedance volt meter. Approximately 9 megohms resistance is in series between the battery + terminal and the input HIGH terminal to prevent damage to the internal battery or an external source, so loading error must be considered when using an external meter.

8.4 ACCESSORIES

The accessories available for the Model 7004 Digital Multimeter include a set of input test leads, a single rack mount kit, a dual rack mount kit, and a protective front panel snap cover.

8.4.1 INPUT TEST LEADS (P/N 37232-4-1)

The input test leads accessory includes two 35 inch test leads. The black lead is an alligator clip to banana plug combination, and the red lead is a test probe to banana jack combination.

8.4.2 SINGLE RACK MOUNT KIT (P/N 45410)

The single rack mount kit allows one Model 7004 Digital Multimeter to be installed in a standard 19 inch rack. Two alternate end trims are removed along with the two handles, bail, and foot assembly. The rack mounting panel, adapter end trim, handles, and chassis adapter are then installed. The kit is symmetrical so the unit may be installed in either half of the rack.

8.4.3 DUAL RACK MOUNT KIT (P/N 37492-4-1)

The dual rack mount kit allows two Model 7004 Digital Multimeters to be mounted side-by-side in the same 19 inch rack. Remove the opposite front end trims, both bottom covers, rear end trim, and handles; and add the rack mount, end trim with handles, and two spacers between the two units.

8.4.4 FRONT PANEL SNAP COVER (P/N 37229-4-1)

The protective front panel snap cover is completely assembled and hooks on to the front end trims.

05 OPTION BCD ASSEMBLY PARTS LIST

Ref.	Description	Part No.
J101	05 Option BCD Assembly	37218-4-1
J102	05 Option BCD Schematic	37218-7-1
P201	Connector, 30 pin	J0504
	Connector, 24 pin	J0298
	Mating Connector	J0244
	Cable Assembly, BCD	C37218-3-1

SD

09 OPTION BATTERY PACK P.C. BOARD PARTS LIST

Ref.	Description	Part No.
	Battery Pack P.C. Board Assembly	37469-4-1
	Battery Pack P.C. Board Schematic	37469-7-1
C1	Capacitor, .47 μ F, 200 V	03284010
C2	Capacitor, .47 μ F, 200 V	03284010
C3	Capacitor, 4.7 μ F, 25 V	03287470
C4	Capacitor, 1 μ F, 25 V	C0879
C5	Capacitor, .01 μ F, 500 V, Disc.	C0423
C6	Capacitor, .01 μ F, 100 V, Disc.	C0556
CR1	Diode, 1N4005	CR0284
CR2	Diode, 1N4005	CR0284
CR3	Diode, 1N4005	CR0284
CR4	Diode, 1N4005	CR0284
CR5	Diode, 1N4151	CR0150
CR6	Diode, 1N4151	CR0150
CR7	Diode, 1N4005	CR0284
CR8	Diode, 1N4151	CR0150
F3	Fuse, 1.5 A, F B10, 8AG	F0046
Q1	Transistor, 2N3569	Q0318
Q2	Transistor, 2N3569	Q0318
Q3	Transistor, 2N6103	Q0317
Q4	Transistor, 2N6103	Q0317
Q5	Transistor, 2N3569	Q0318
Q6	Transistor, 2N2219	Q0246
Q7	Transistor, MPS A12	Q0286
Q8	Transistor, 2N4918	Q0268
R1	Resistor, 3.9 k, 5%, 1/4 W	R0939
R2	Resistor, 3.9 k, 5%, 1/4 W	R0939
R3	Resistor, 150 Ω , 5%, 1/4 W	R0983
R4	Resistor, 5.6 k, 5%, 1/4 W	R0821
R5	Resistor, 100 Ω , 5%, 1/4 W	R0966
R6	Resistor, 470 Ω , 5%, 1/4 W	R1044
R7	Resistor, .24 Ω , 5%, 2 W	02394000
R8	Resistor, 470 Ω , 5%, 1/4 W	R1044
R9	Resistor, 5.6 k, 5%, 1/4 W	R0821
R10	Resistor, 100 Ω , 5%, 1/4 W	R0966
R11	Resistor, 10 k, 5%, 1/4 W	R0766
R12	Resistor, 3.3 k, 5%, 1/4 W	R0742
R13	Resistor, 100 k, 5%, 1/4 W	R0741

SD

Ref.	Description	Part No.
R14	Resistor, 2.2 M, 5%, 1/4 W	R1014
R15	Not Used	
R16	Resistor, 1 Ω , 5%, 2 W	R2855
R17	Resistor, 14.61 k, 1%, 1/4 W	R0859
R18	Resistor, 11.8 k, 1%, 1/4 W	R1003
R19	Resistor, 5 k, Potentiometer	R2697
R20	Resistor, 470 Ω , 5%, 1/4 W	R1044
R21	Resistor, 6.8 k, 5%, 1/4 W	R0696
R22	Resistor, 10 k, 5%, 1/4 W	R0766
R23	Resistor, 1 M, 5%, 1/4 W	R0962
TP1	Test Point, Red	E0279
TP2	Test Point, Black	E0280
U1	Integrated Circuit, SN74L02N	25797
U2	Integrated Circuit, SN74L73N	45200
U3	Integrated Circuit, μ 723	25761
VR1	Diode, FZ901 Transistor used as 5.6 V, Zener	26015340
	Heat Sink, (Q8)	H1956
	Receptacle	H2042

SD

09 OPTION BATTERY PACK P.C. BOARD PARTS LIST (Cont'd)

09 OPTION BATTERY PACK ASSEMBLY PARTS LIST

Part No	Description	Ref.
SD		
37219-4-1	09 Option Battery Pack Assembly	
BT0005	Battery, 6 V, 4.5 A. Hr.	BT1
BT0005	Battery, 6 V, 4.5 A. Hr.	BT2
S0415	Switch, 4P3T Slide	S202
37228-4-1	Battery Switch Assembly	
37469-4-1	Battery Pack P.C. Board Assembly	
C37227-4-1	Battery Clamp Assembly	
B37472-1-1	Battery Clamp Insulator	
37227-1-1	Battery Clamp	

ACCESSORY, INPUT TEST LEADS PARTS LIST

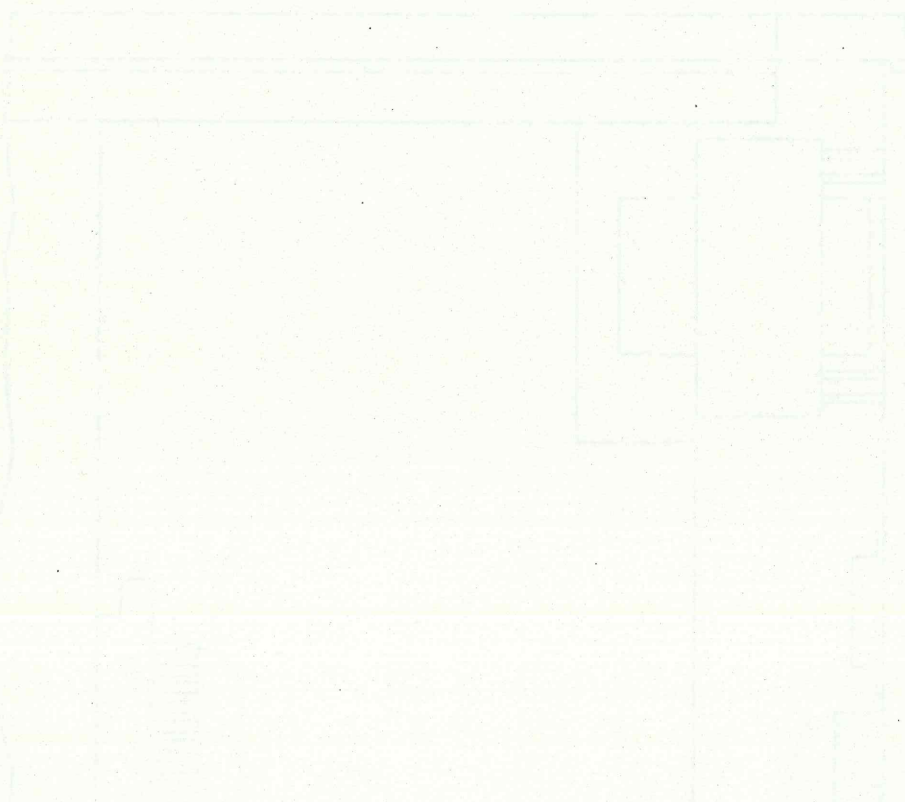
Ref.	Description	Part No.
3	Input Test Leads	37232-4-1
7	Test Probe Red	E0313
7	Alligator Clip Black	E0311
9	Plug, Banana Red	J0528
11	Plug, Banana Black	J0529
13	Wire, Belden 8899 Red	W0090
15	Wire, Belden 8899 Black	W0089
	Alternate Assembly Complete Red	Pomona
	Alternate Assembly Complete Black	1986-36
		1959-36

ACCESSORY, SINGLE RACK MOUNT KIT PARTS LIST

Ref.	Description	Part No.
	Assembly/Installation Dwg 3 1/2" Half Rack Mtg.	C45410
<u>DELETIONS</u>		
	End Trim	C33693
	Handle	C33570-1
	Ball & Foot Assembly	H1927
<u>ADDITIONS</u>		
7	End Trim, Rack Mnt	D45476-2
8	Handle	H1847
10	Rack Mtg Panel	D39953-2
11	Rack Mtg Panel Adapter	C39954-2
12	Chassis Adapter	C45411-1

ACCESSORY, DUAL RACK MOUNT KIT PARTS LIST

Part No.	Description	Ref.
SD		
37492-4-1	Final Assembly Dual Rack Mount	
37190-4-1	Final Assembly	
<hr/>		
DELETE FROM 37190-4-1		
45065-3	Bottom Cover Assembly	
39033	End Trim (2 From Rear)	
	(2 From Outside Front)	
C33570-3	Handle	
<hr/>		
D45083-3	Bottom Cover	7
E0109	Spacer 6-32 x 5/8	9
H1939	Spacer, 6-32 x 3/4	10
D45476-2	End Trim Rack Mounting	15
H1847	Handle	16



Ref.	Description	Part No.
3	Cover Front	37229-1-1
4	Cover Drawn	H2021
7	Cover Stop	39411
9	Latch Mod	39099
11	Cover Hook	45173
15	Rubber U Channel	H0207
	Latch	H1947
	Front Cover Assembly	37229-4-1

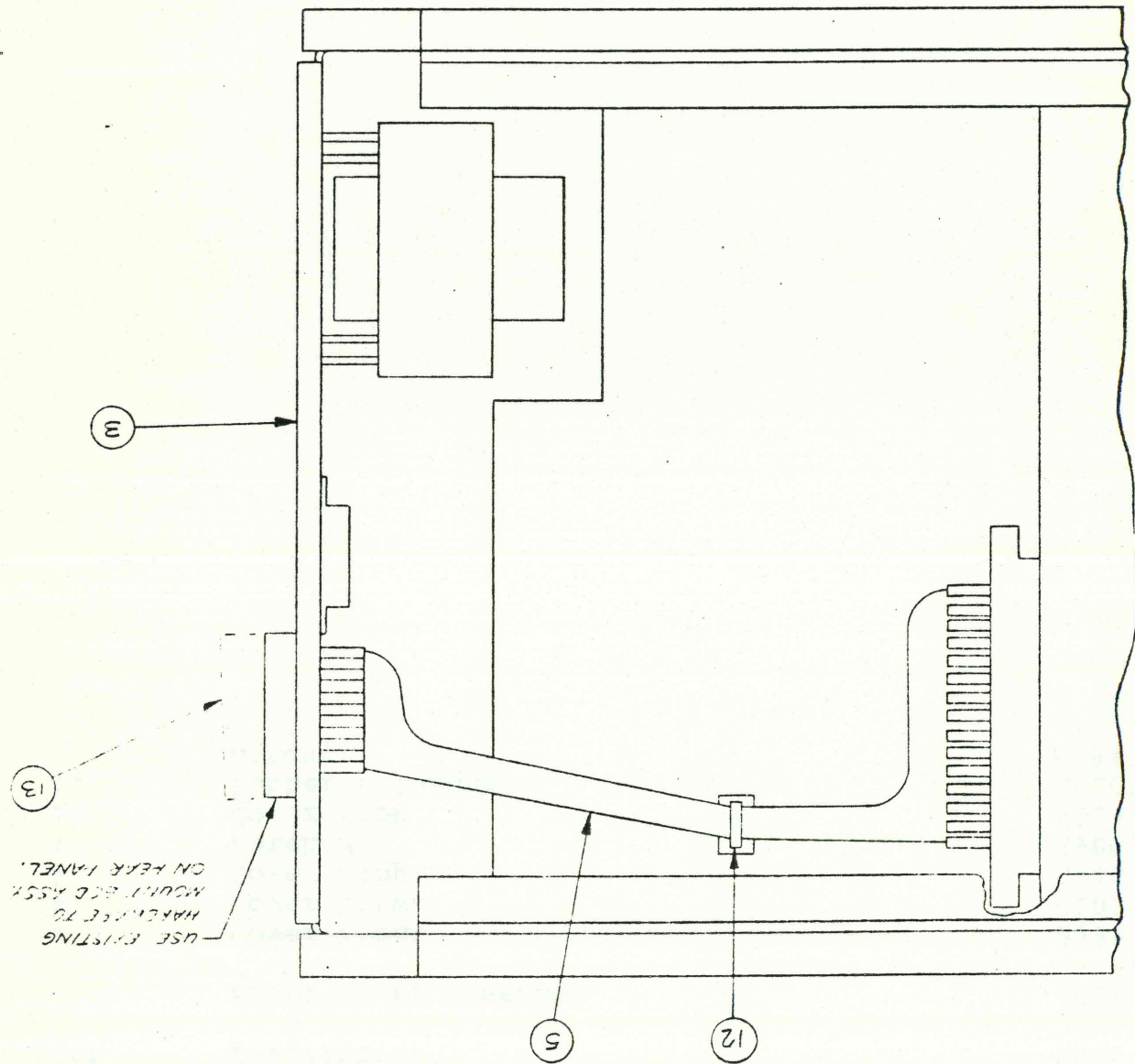
ACCESSORY, FRONT PANEL SNAP COVER PARTS LIST

SD

OPTION 05, BCD ASSEMBLY #C37218-4-1A

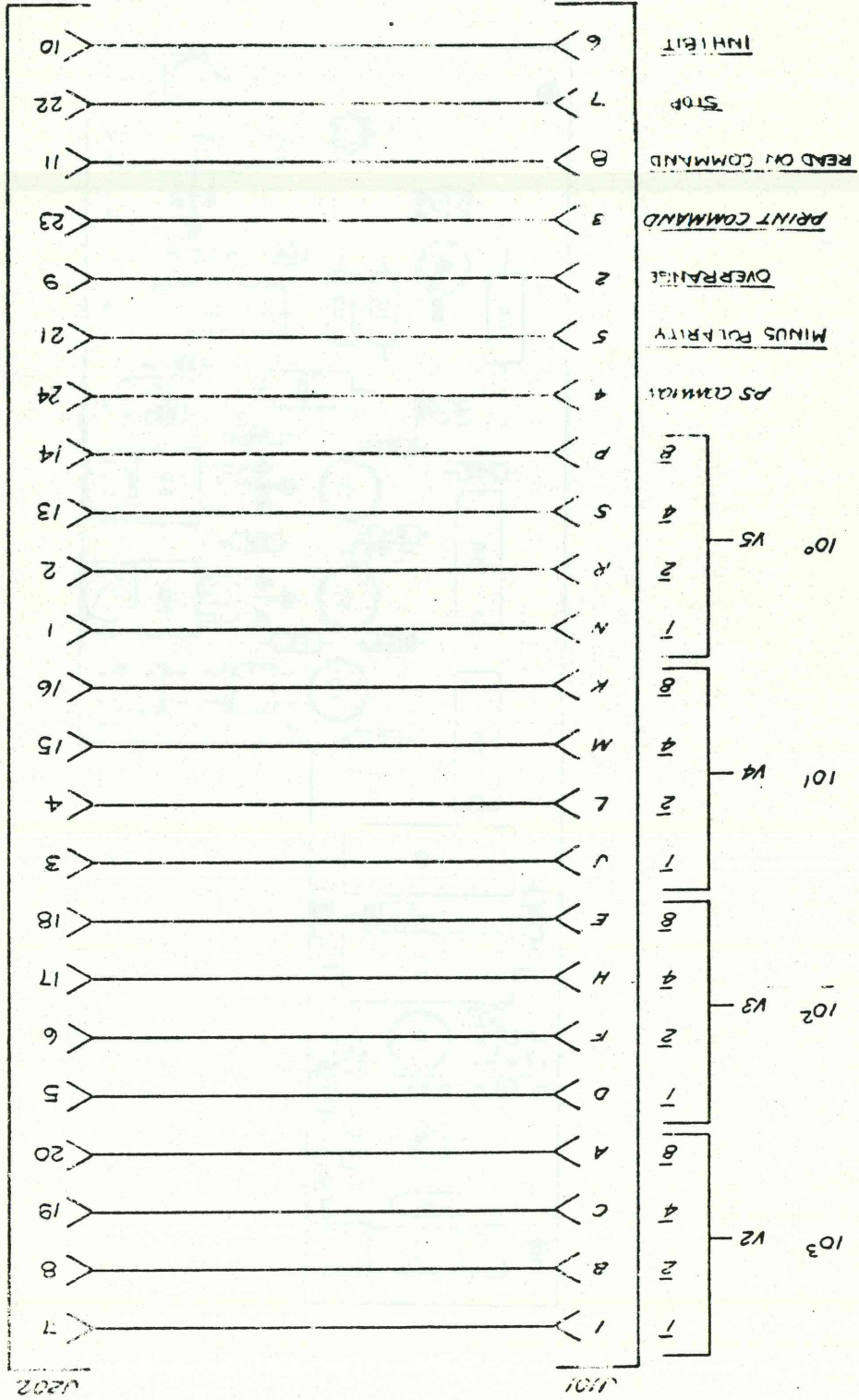
- 1. REMOVE BCD COVER PLATE ON REAR PANEL.
- 2. REMOVE UNIT TOP COVER, TOP GUARD COVER & BATTERY PACK IF INSTALLED.
- 3. LIFT UP READOUT BD. AND CONNECT BCD CABLE AS SHOWN.
- 4. CUT OLD PLASTIC TIE & TIE CABLE TO ANCHOR USING NEW PLASTIC TIE.
- 5. ADD -05 TO UNIT LABEL ON REAR PANEL.

NOTES:



OPTION 05, BCD SCHEMATIC #C37218-7-1A

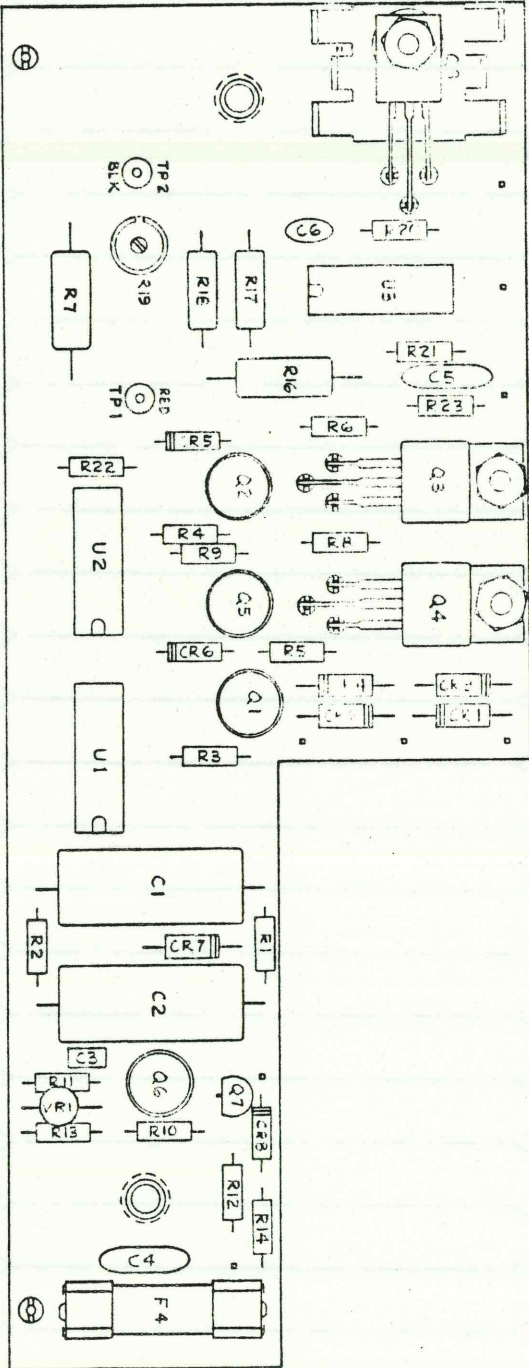
AMPHENOL * 5T-40240

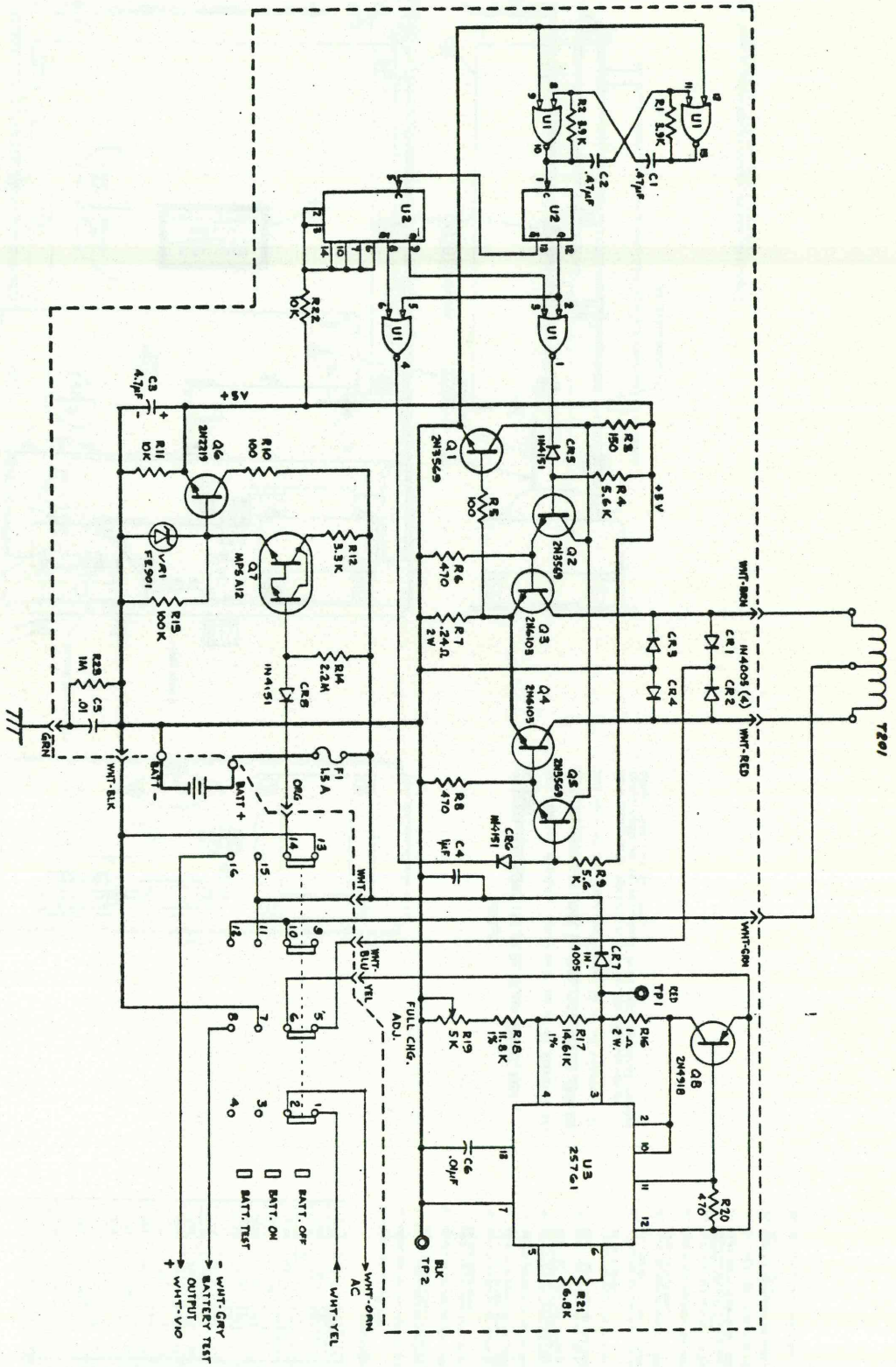


1202

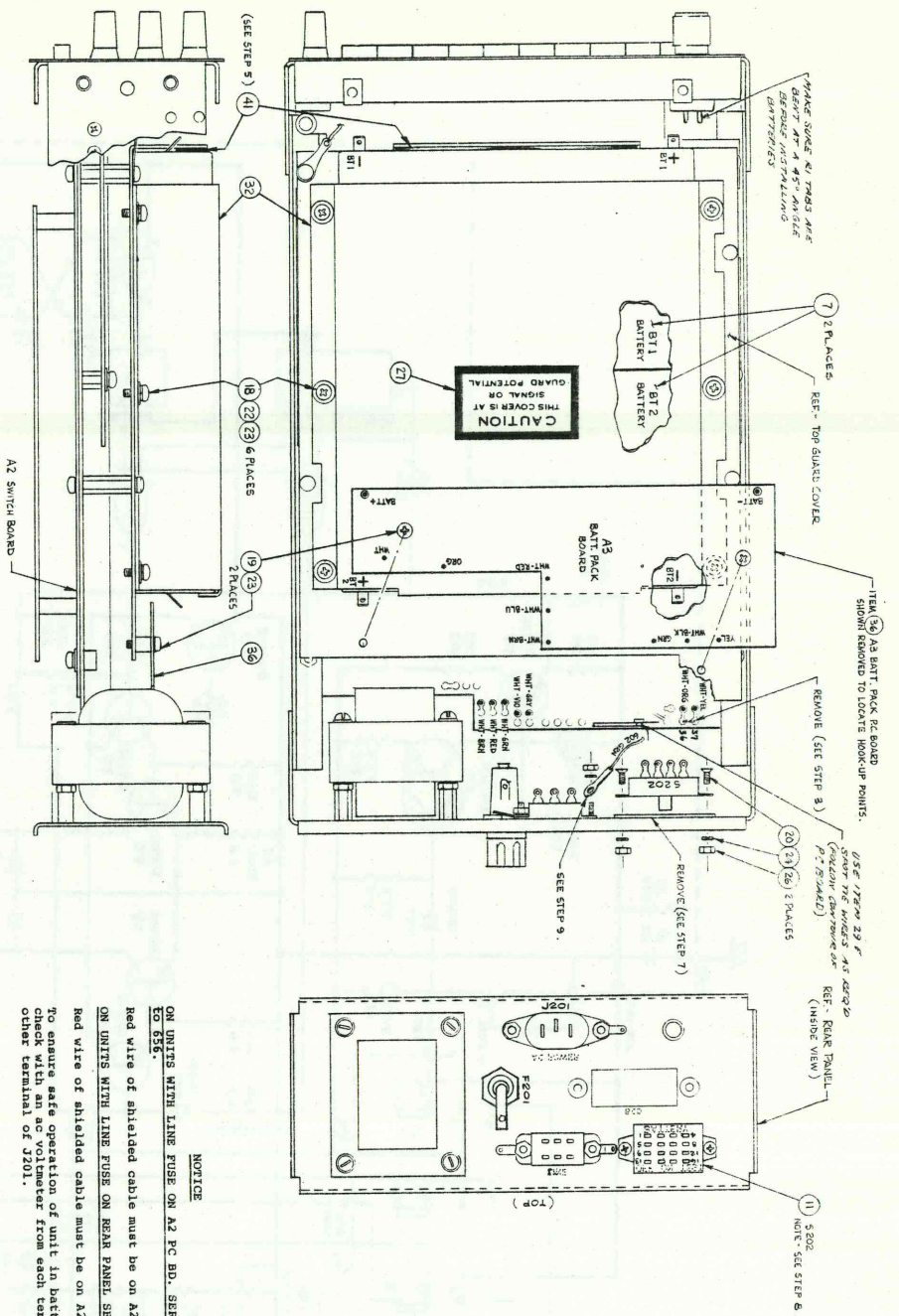
1201

OPTION 09, A3, BATTERY PACK P.C. ASSEMBLY #D37469-4-1B



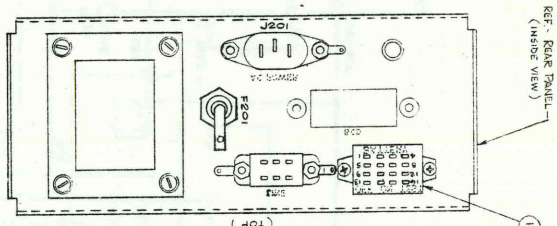


OPTION 09, A3, BATTERY PACK SCHEMATIC #C37469-7-1A



NOTES:
 1. A MODEL 7004 IS SHOWN WITHOUT COVERS, AC LINE CORD, AND A SECTIONAL SIDE VIEW; ONLY REQUIRED DETAILS ARE SHOWN.

OPTION 09, BATTERY PACK ASSEMBLY #D37219-4-1B



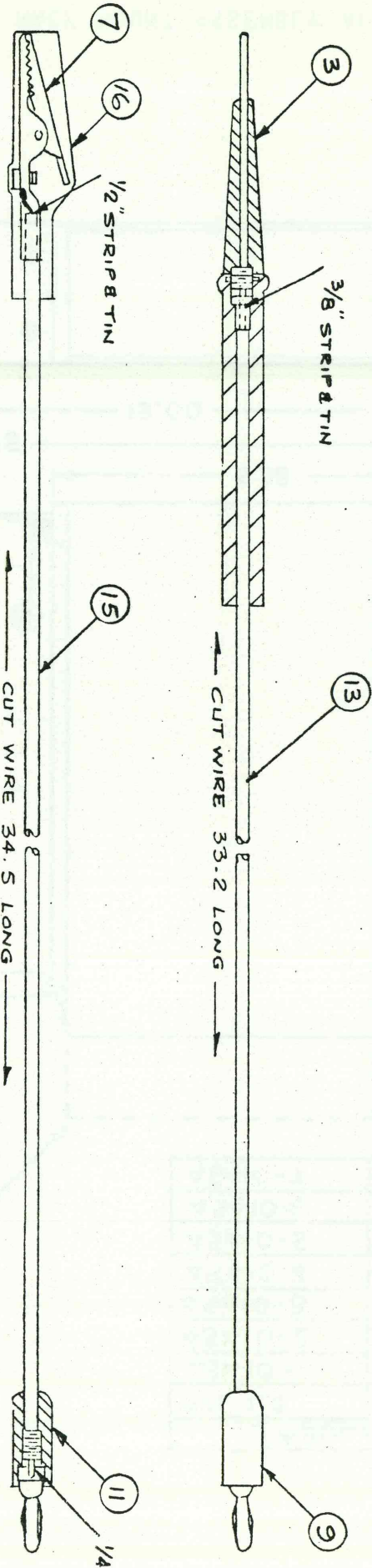
ON UNITS WITH LINE FUSE ON A2 PC BD, SERIAL #101 TO #556.
 Red wire of shielded cable must be on A2 terminal 36.
 ON UNITS WITH LINE FUSE ON REAR PANEL SERIAL #657 ON.
 Red wire of shielded cable must be on A2 terminal 37.
 To ensure safe operation of unit in battery mode, check with an AC operator from each terminal to the other terminal of 3201.

BATTERY PACK HOEKUP

WIRE NO.	COLOR	FROM	TO
701	WHT-YEL	S202 - 1	WHT-YEL
702	WHT-OR	- 2	WHT-OR
703	WHT-BLU	- 5	WHT-BLU
704	VEL	- 6	AS-YEL
705	WHT-GRN	- 10	WHT-GRN
706	WHT-BLK	- 13	WHT-BLK
707	OR	- 14	AS OR
708	WHT	- 15	AS WHT
709	WHT-VIO	- 16	WHT-VIO
710	WHT-GRY	- 8	WHT-GRY
801	BLU	B11 -	B12 +
802	GRN	A3-GRN	ZIGZAG GROUND
803	WHT-BLU	WHT-BLU	WHT-BLU
804	WHT-RED	WHT-RED	WHT-RED
805	BLK	A3-BATT -	B11 -
804	RED	A3-BATT +	B11 -

INSTALLATION PROCEDURE

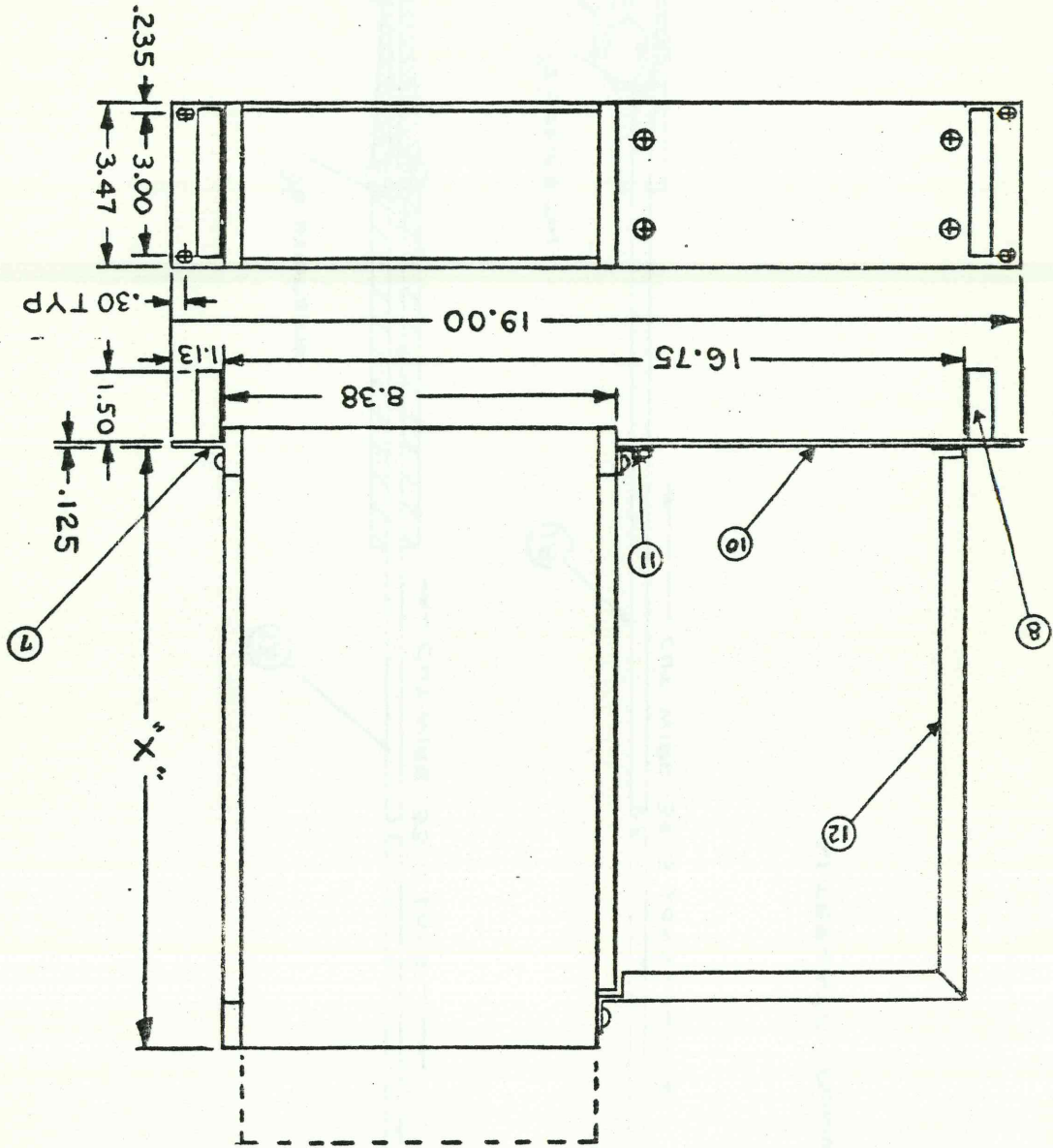
- REMOVE THE AC LINE CORD.
- REMOVE THE TOP AND BOTTOM UNIT COVERS.
- REMOVE JUMPER WIRE BETWEEN TERMINALS NO. 34 & 37 ON A2 SWITCH BOARD, SEE FIG. 1-10.
- RE-INSTALL THE BOTTOM UNIT COVER.
- NOTE: THE 1.5 AMP. FUSE IS LOCATED ALONG THE PLATE OF THE TOP GUARD COVER.
- POSITION TERMINALS NO. 1 & 2 ON THE TOP GUARD COVER, WITH A 4 - 4 TABS OF BARE BATTERY. SECURE THE BATTERIES IN PLACE AND MAKE-TOUCH WITH THE BATTERY CLAMP ASSEMBLY, ITEM NO. 34.
- REMOVE SWITCH PLATE ON THE REAR PANEL.
- DISMANTLE SWITCH (S202) ASSEMBLY FROM NO. 11 OF THE REAR PANEL. REMOVE WIRE AND WELDER OF THE "LINE" SWITCH AND INSTALL THE REAR PANEL. ITEM NO. 35. SEE FIG. 1-10.
- REMOVE THE 1.5 AMP. FUSE (F1) OF THE BATTERY FROM P.C. BOARD CONNECT ALL WIRE FROM WIRE NO. 10 TO A2 SWITCH BOARD. SEE WORK-OVER FOR DETAILS.
- REMOVE THE BATTERY FROM P.C. BOARD ASSEMBLY A3 OF THE TOP GUARD COVER AS SHOWN.
- HOOK UP THE BATTERIES FROM THE ABOVE TABLE.
- RE-INSTALL THE 1.5 AMP. FUSE ON THE BATTERY FROM P.C. BOARD AS SHOWN IN FIG. 1-10. (SEE FIG. 1-10 FOR BATTERY CONNECTIONS.)
- APPLY THE "CAUTION" LABEL, ITEM NO. 37 AS SHOWN.
- RE-INSTALL THE TOP COVER OF THE UNIT.
- WIRE THE IDENTIFICATION LABEL ON THE REAR PANEL AS MODEL "7004-09 09".
- RE-INSTALL THE AC LINE CORD.



ALTERNATE POMONA MODEL 1959-36 BLACK
 1986-36 RED

ACCESSORY, INPUT TEST LEADS #C37232-4-1B

ACCESSORY, SINGLE RACK MOUNT ASSEMBLY #C45410A



ALLOW 2" FOR CONNECTORS

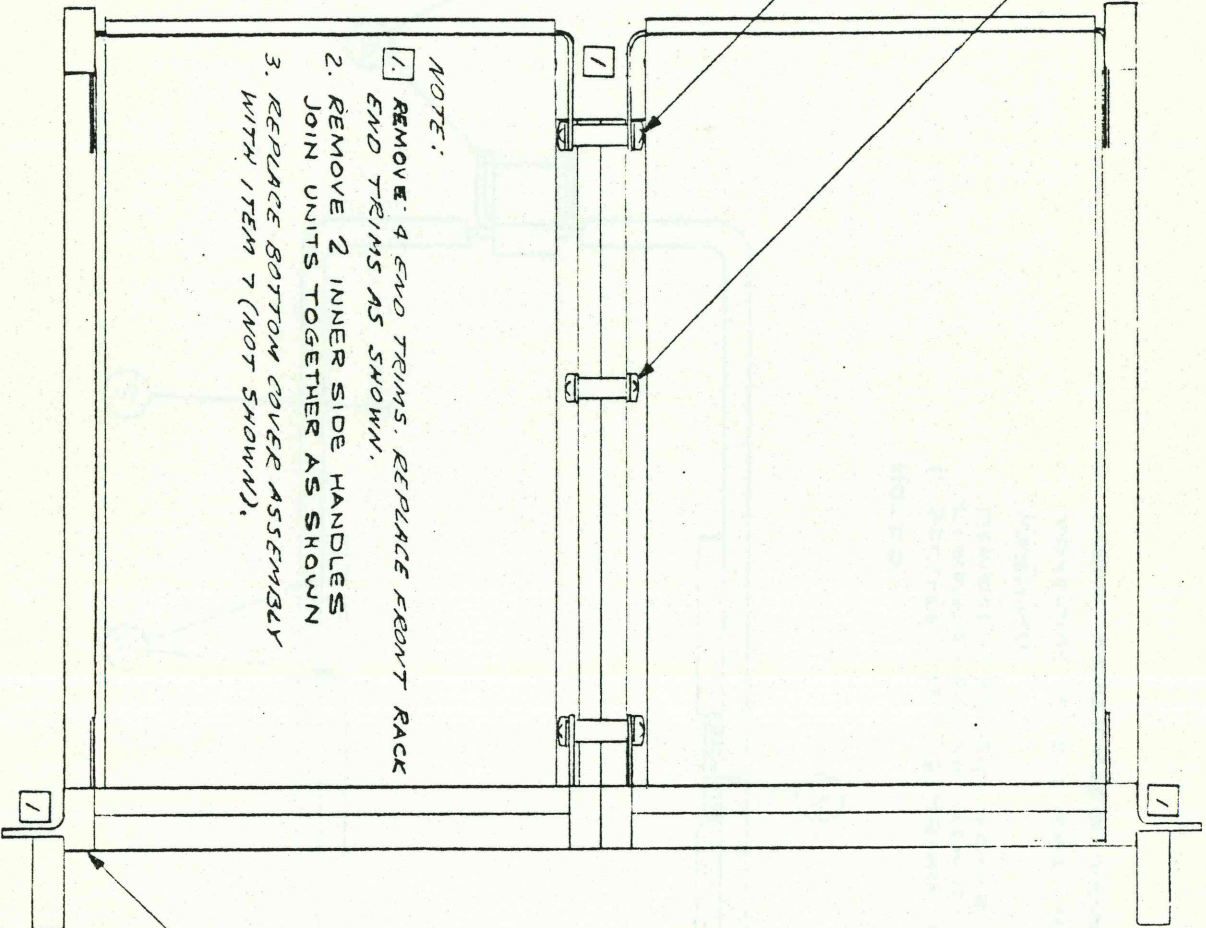
TABULATION		
P/L N ^o	"X"	INSTR DEPTH
45410-1	8.75	9.12
45410-2	10.75	11.12
45410-3	12.75	13.12
45410-4	14.75	15.12
45410-5	16.75	17.12
45410-6	18.75	19.12
45410-7	20.75	21.12

THRU SIDE TRIMS

- 13 (2)
- 12 (2)
- 10 (1)

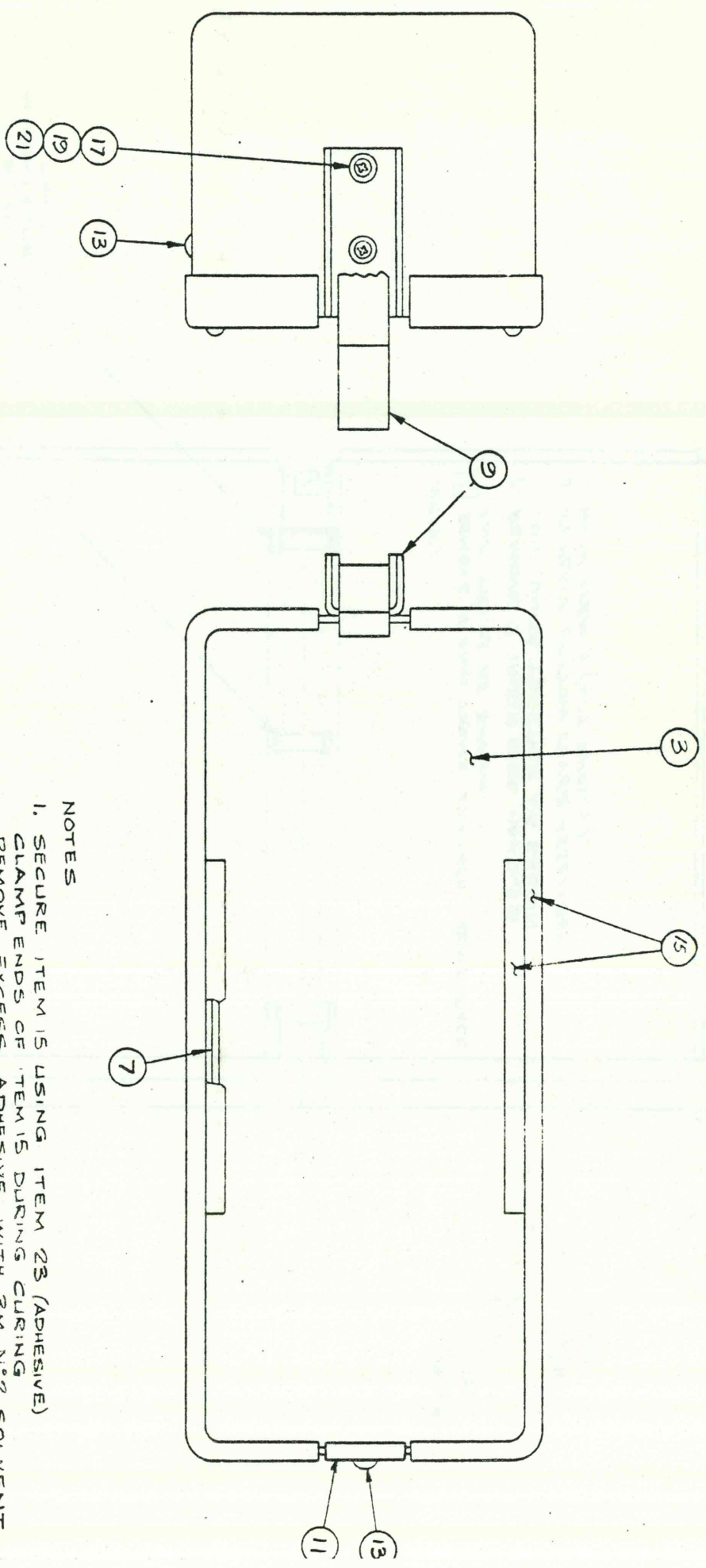
BOTTOM OF FRONT & REAR FLANGES

- 13 (4)
- 12 (4)
- 9 (2)



- NOTE:
1. REMOVE 4 END TRIMS. REPLACE FRONT RACK END TRIMS AS SHOWN.
 2. REMOVE 2 INNER SIDE HANDLES JOIN UNITS TOGETHER AS SHOWN
 3. REPLACE BOTTOM COVER ASSEMBLY WITH ITEM 7 (NOT SHOWN).

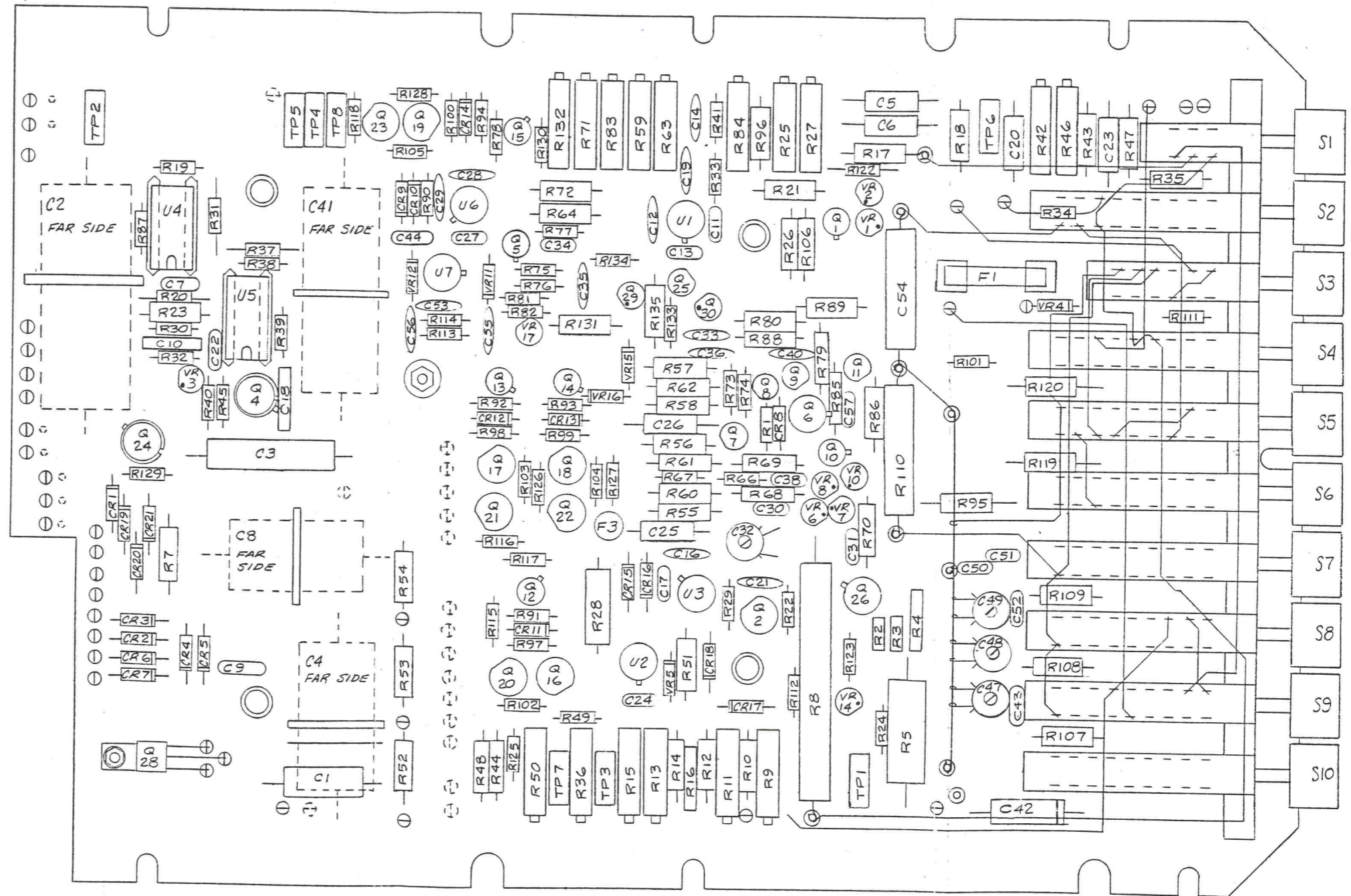
ACCESSORY, DUAL RACK MOUNT ASSEMBLY #C37492-4-1A.



NOTES

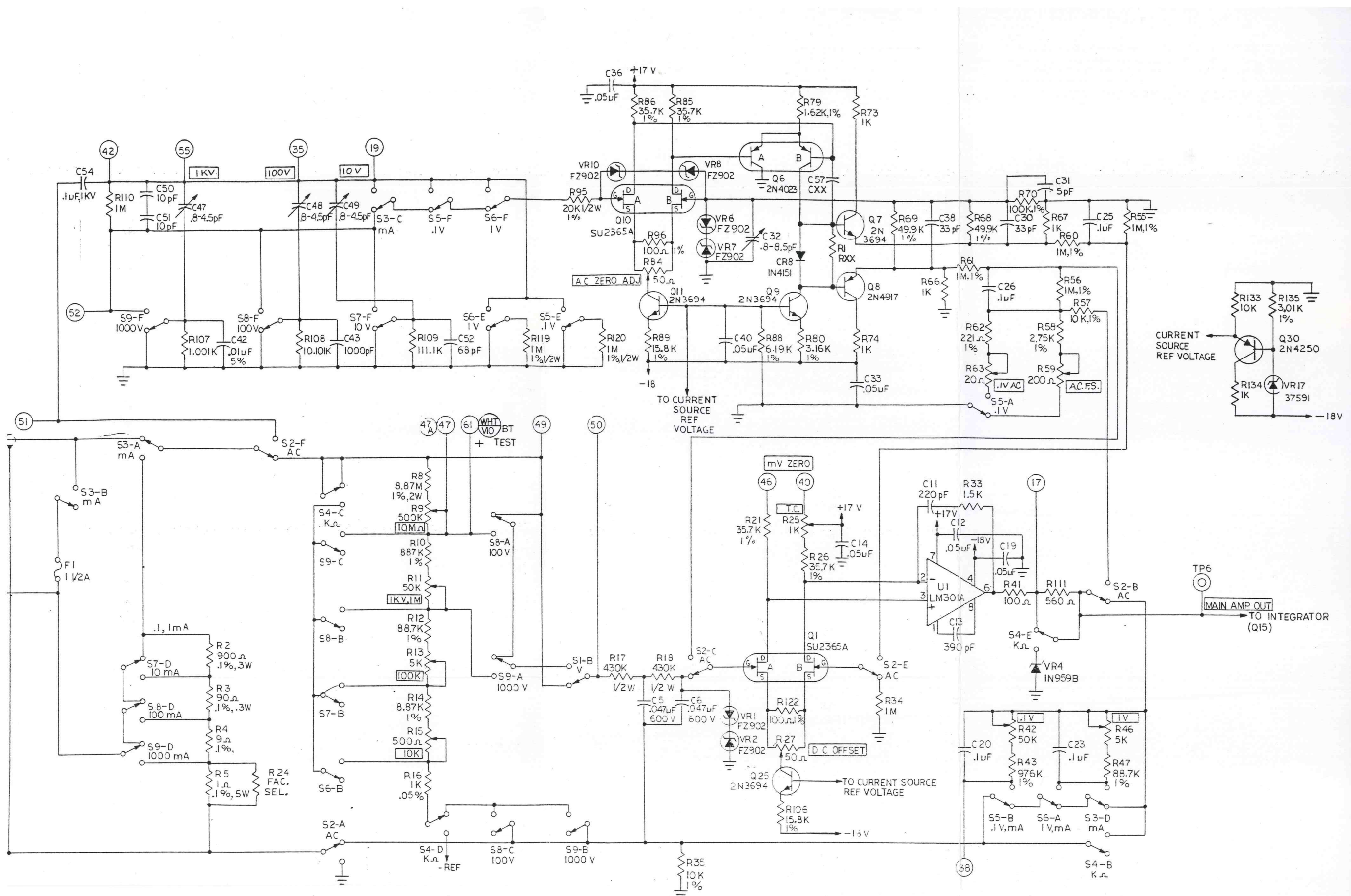
- 1. SECURE ITEM 15 USING ITEM 23 (ADHESIVE) CLAMP ENDS OF ITEM 15 DURING CURING REMOVE EXCESS ADHESIVE WITH 3M N°2 SOLVENT. WARNING. ADHESIVE & SOLVENT MUST ONLY BE USED IN A WELL VENTILATED AREA.

ACCESSORY, FRONT PANEL SNAP COVER ASSEMBLY #C37229-4-1A



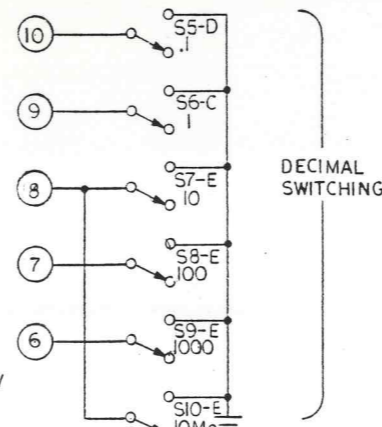
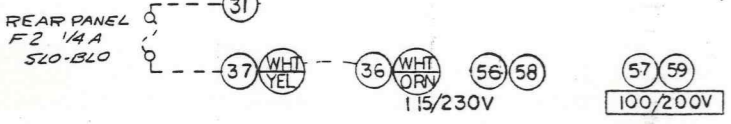
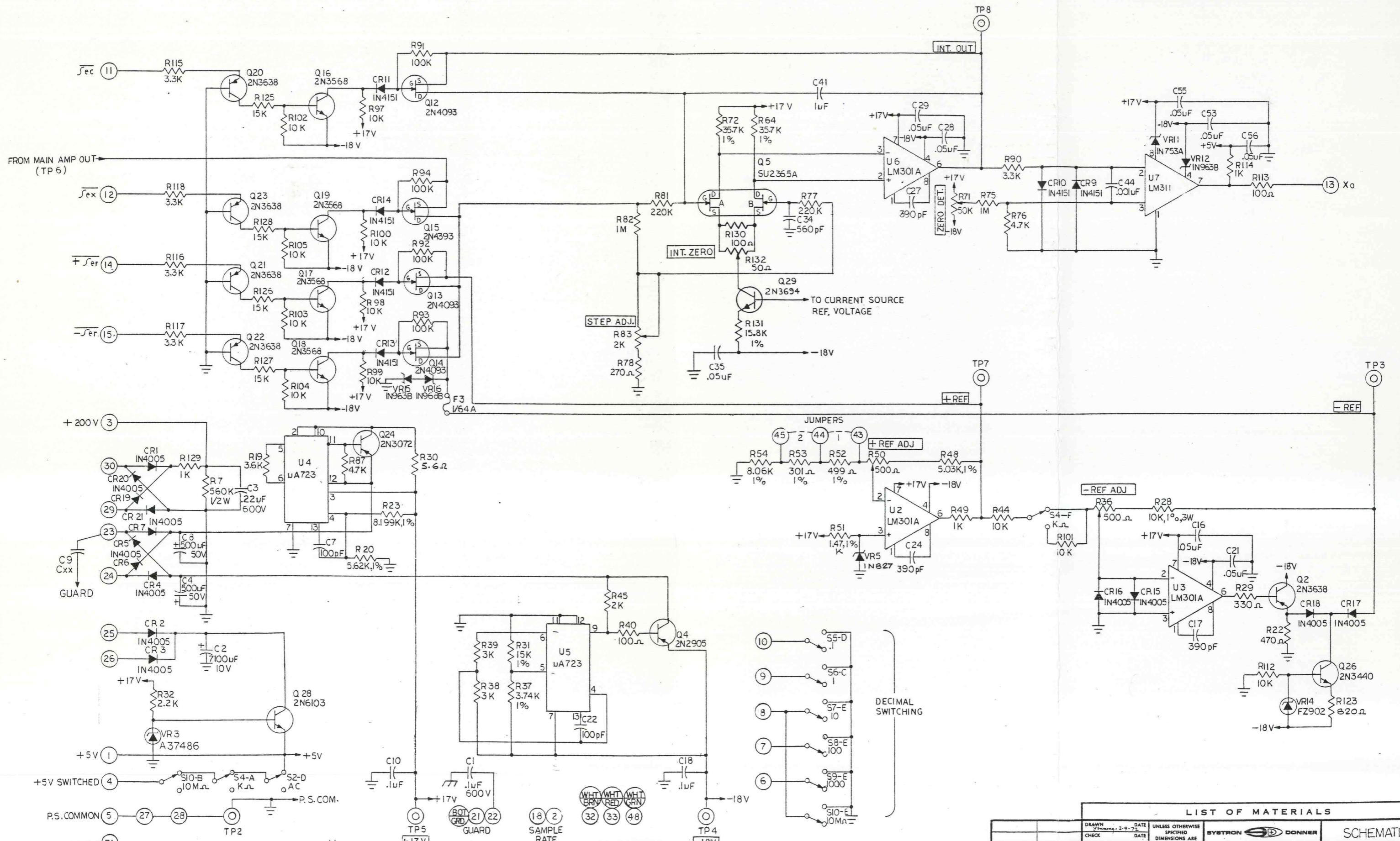
PARTS LIST 37217-8-1
FORMS PART OF THIS DOCUMENT

LIST OF MATERIALS			
DRAWN 3-8-72	DATE 3-8-72	UNLESS OTHERWISE SPECIFIED DIMENSIONS ARE IN INCHES	BYSTRON DONNER CORPORATION CONCORD, CALIFORNIA CODE IDENT. 06811 MATERIAL ~
CHECK 3-8-72	DATE 3-8-72	DECIMAL TOLERANCE X XXX ANGLES ±	
ELECT. DATE	DATE		
MECH. DATE	DATE		
PROJECT 70094	DATE 1-12-72		ASSEMBLY SWITCH PCB
APPROVAL	DATE		A2
USED ON	NEXT ASSY	SCALE 2/1	DWG NO. 37217-4-1
APPLICATION		DO NOT SCALE DRAWING	ISSUE 6



1. ALL SPECIFIED RESISTORS ARE 5%, 1/4W.
 2. R108 & R109 ARE MATCHED TO R110 WITHIN .05%.
 3. SWITCHES SHOWN IN 'OUT' POSITION.

- S1 = V
- S2 = AC
- S3 = mA
- S4 = K Ω



LIST OF MATERIALS			
DRAWN	DATE	UNLESS OTHERWISE SPECIFIED DIMENSIONS ARE IN INCHES	BYSTRON DONNER CORPORATION CONCORD, CALIFORNIA CODE IDENT. 06811
CHECK	DATE	DECIMAL TOLERANCE	
ELECT.	DATE	ANGLES	
MECH.	DATE		
PROJECT	DATE		
APPROVAL	DATE		
7004			
USED ON	NEXT ASSY	SCALE	DWG SIZE
		DO NOT SCALE DRAWING	D 2 OF 2
			MATERIAL ~~~~~
			DWG NO. 037217-7-1 ISSUE LF

SCHEMATIC SWITCH P.C. BOARD
A2