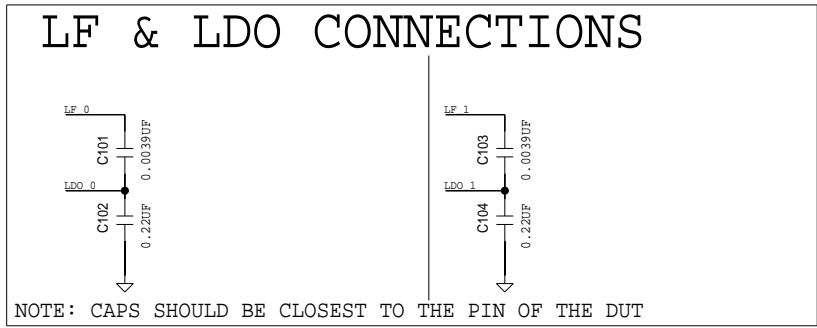
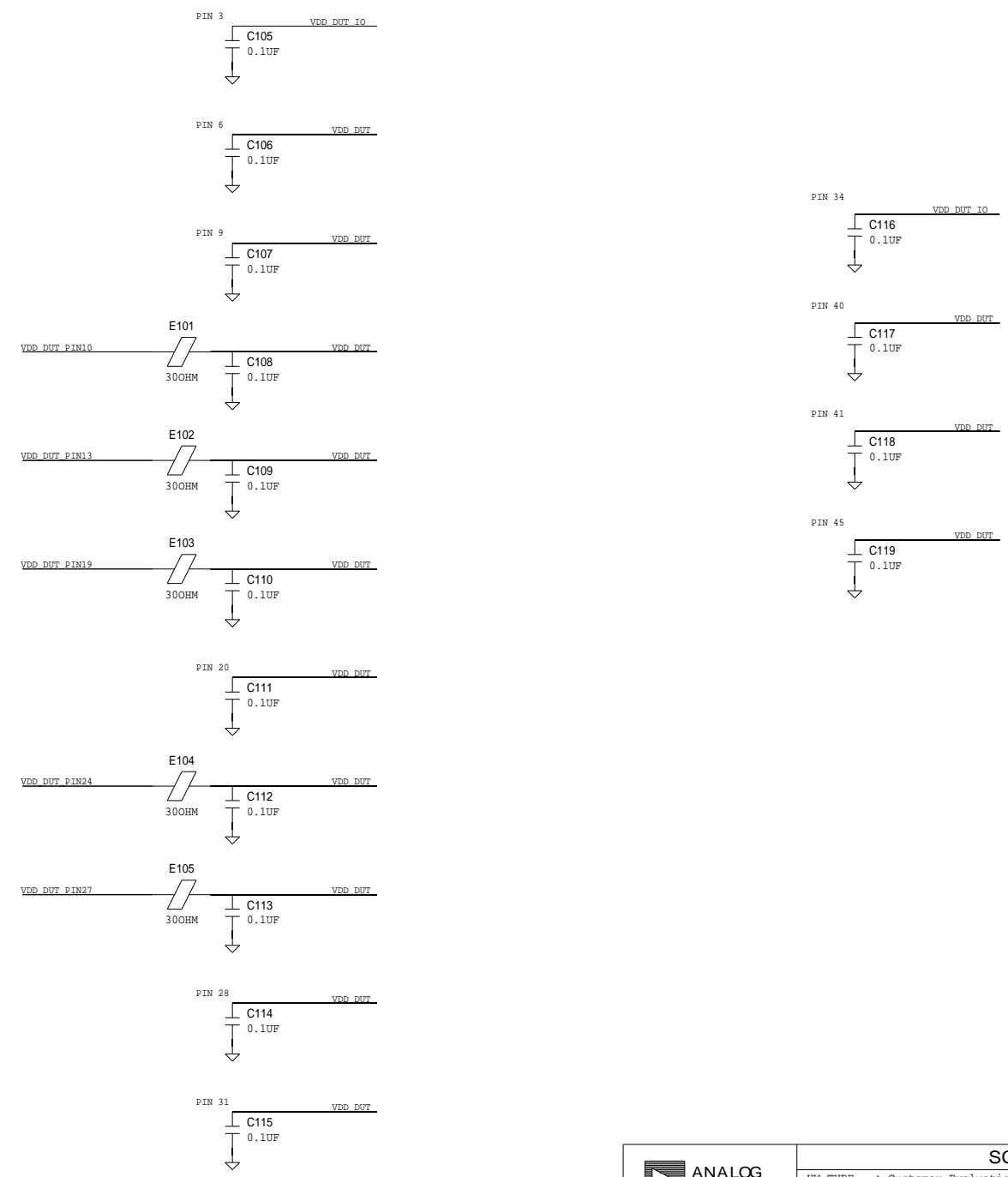
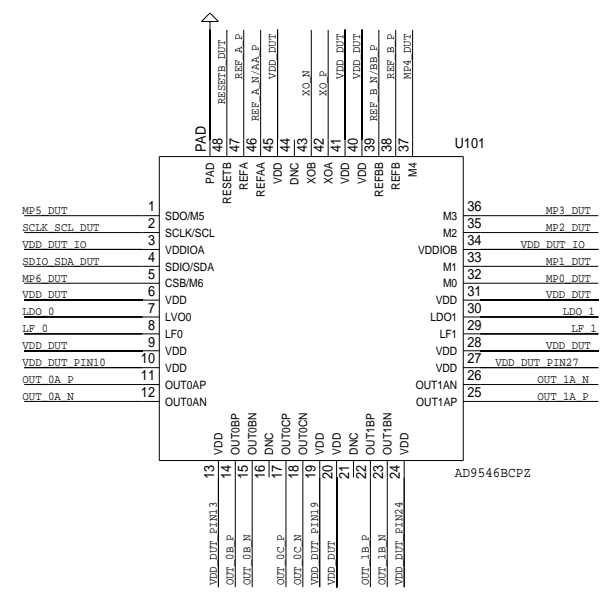




# DUT SECTION

REVISIONS			
REV	DESCRIPTION	DATE	APPROVED

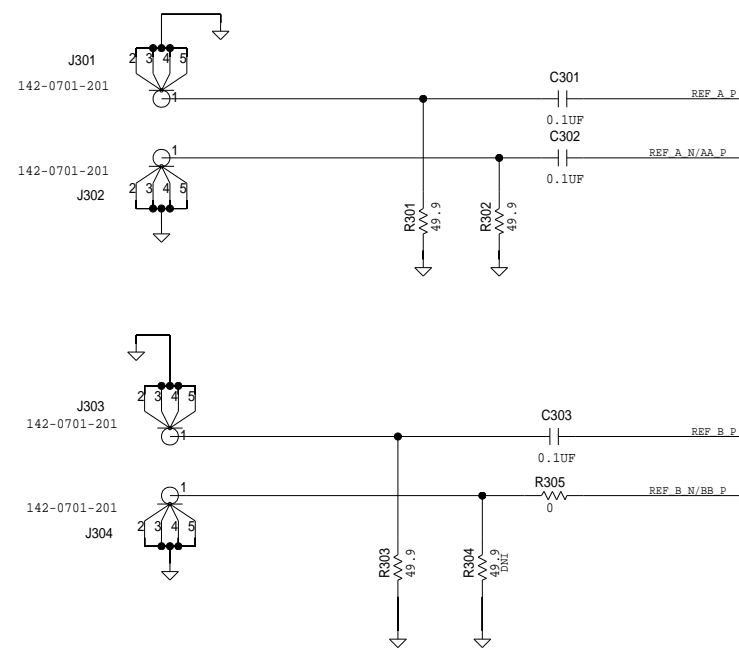


	<b>SCHEMATIC</b>		
	HW TYPE : Customer Evaluation Z Product(s) : AD9546 : NA		
DESIGN VIEW <DESIGN_VIEW>	DRAWING NO. 02_051441	REV B	
PTD ENGINEER P ROBINSON	SIZE D	SCALE 1:1	SHEET 2 OF 8

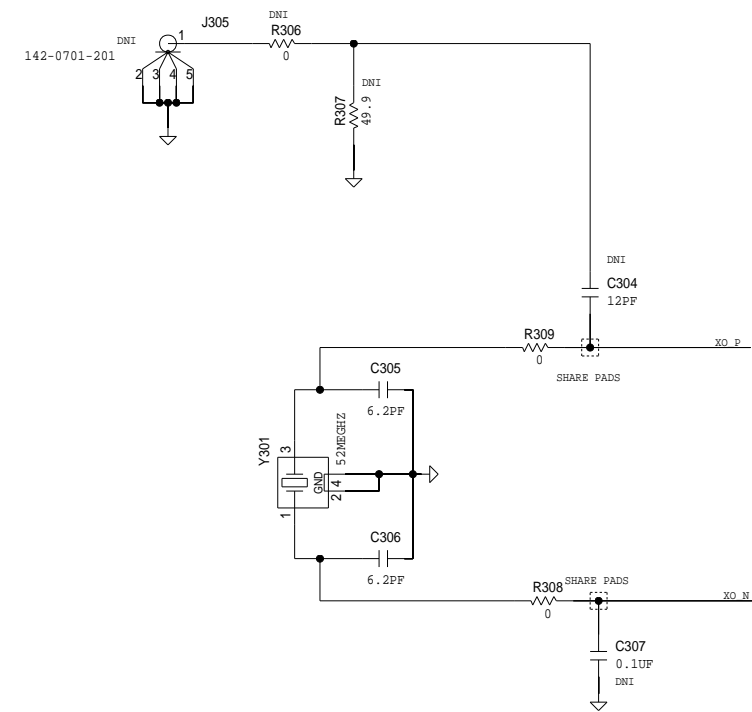
REVISIONS			
REV	DESCRIPTION	DATE	APPROVED

# INPUTS: REFERENCES & SYSCLK

## REFERENCE INPUTS



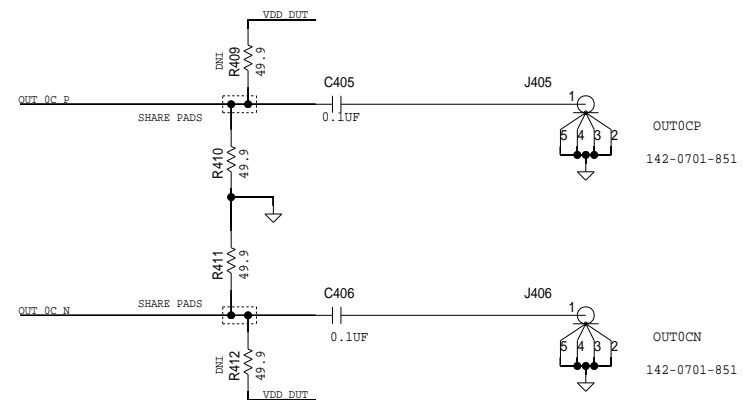
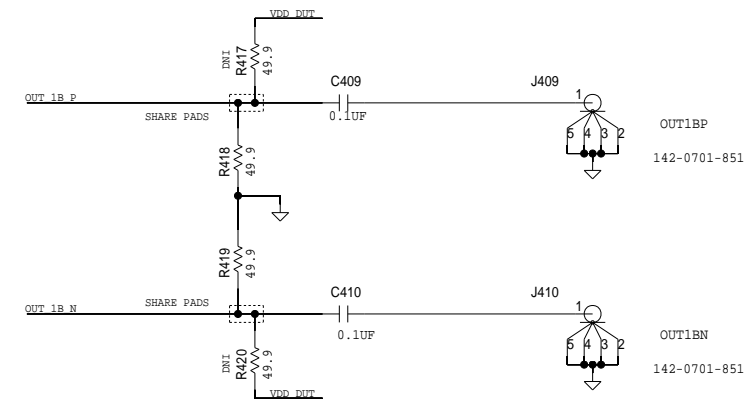
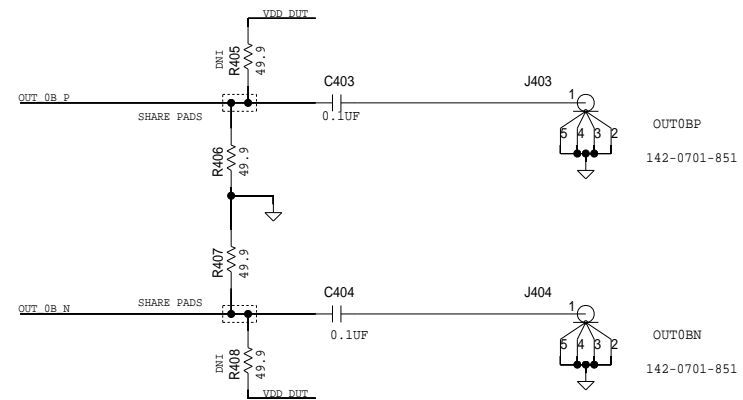
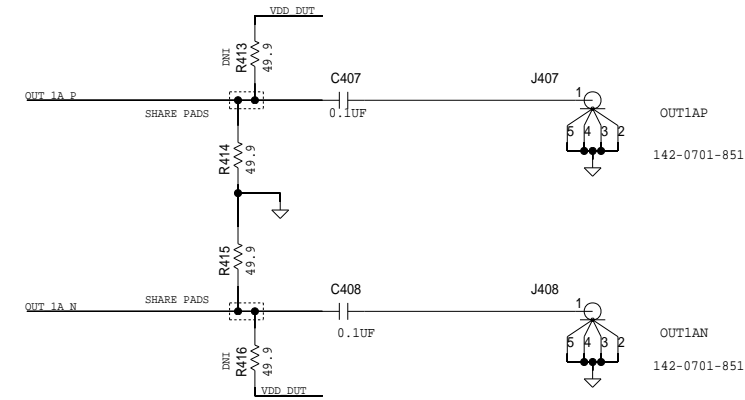
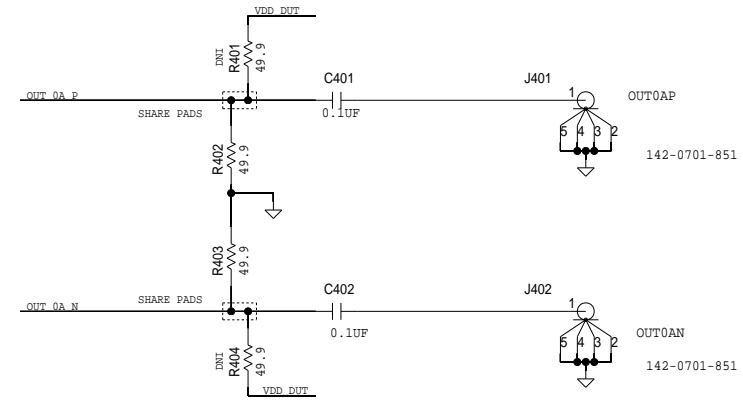
## SYSTEM CLOCK INPUT



	<b>SCHEMATIC</b>		
	HW TYPE : Customer Evaluation Z Product(s) : AD9546 : NA		
<small>THIS DOCUMENT IS THE PROPERTY OF ANALOG DEVICES INC. IT IS LOANED TO YOU BY ANALOG DEVICES INC. IT IS NOT TO BE REPRODUCED OR COPIED, IN WHOLE OR IN PART, OR USED IN ANY MANNER WITHOUT THE WRITTEN CONSENT OF ANALOG DEVICES. THE EQUIPMENT DESIGN HEREON MAY BE PROTECTED BY PATENTS OWNED OR CONTROLLED BY ANALOG DEVICES INC.</small>	DESIGN VIEW <DESIGN_VIEW>	DRAWING NO. 02_051441	REV B
PTD ENGINEER P ROBINSON	SIZE D	SCALE 1:1	SHEET 3 OF 8

# CHANNEL OUTPUTS

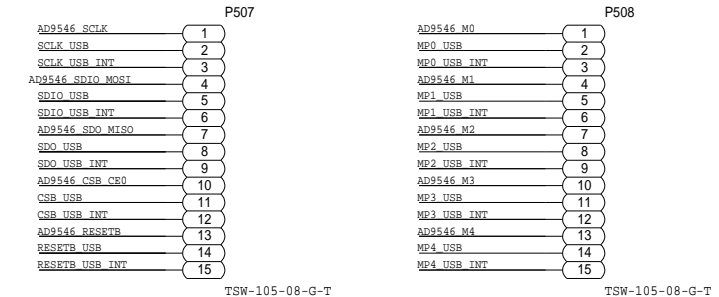
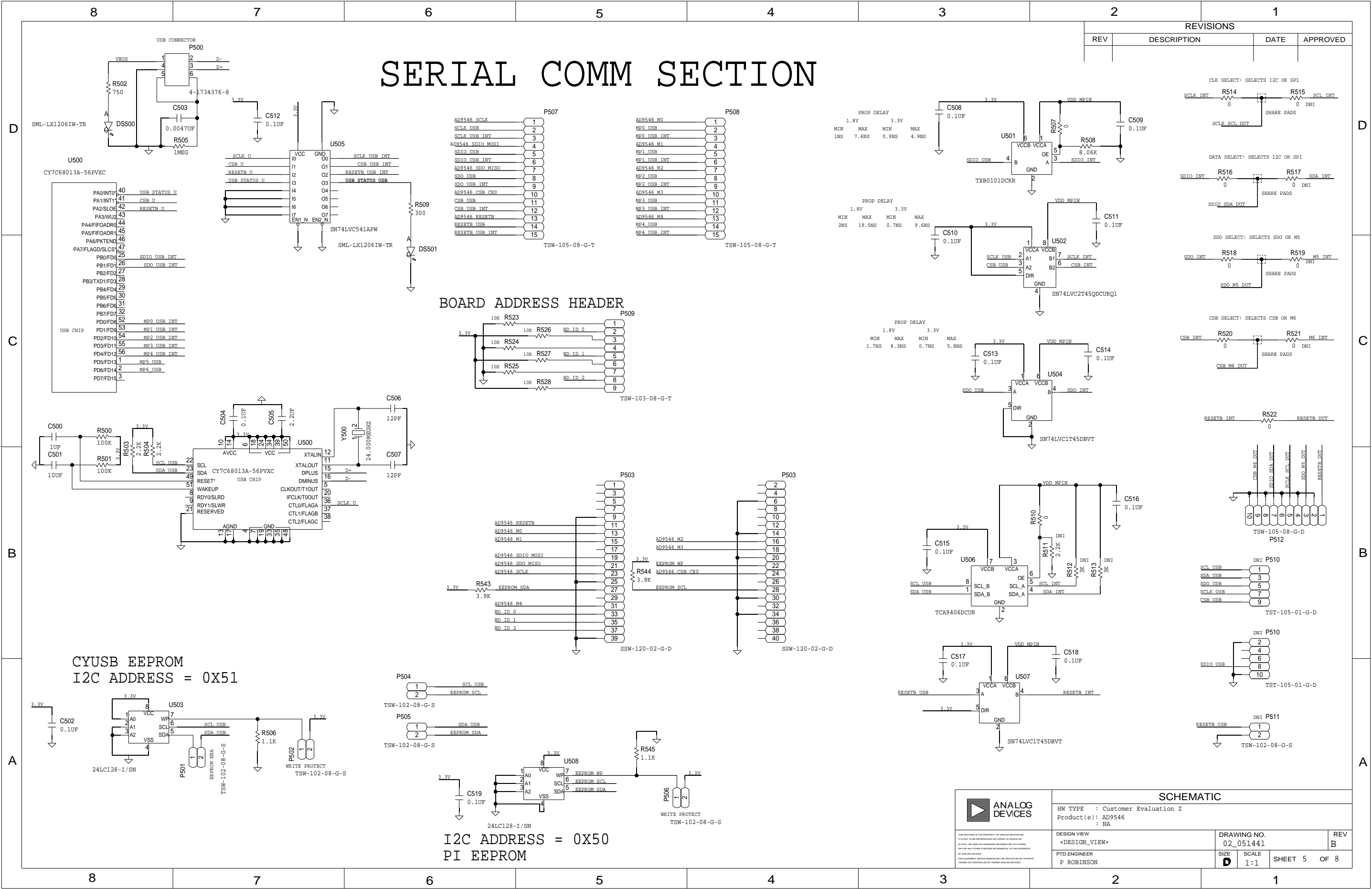
REVISIONS			
REV	DESCRIPTION	DATE	APPROVED



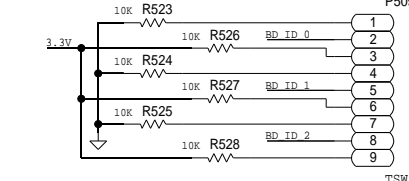
	<b>SCHEMATIC</b>		
	HW TYPE : Customer Evaluation Z Product(s) : AD9546 : NA		
DESIGN VIEW <DESIGN_VIEW>	DRAWING NO. 02_051441	REV B	
PTD ENGINEER P ROBINSON	SIZE D	SCALE 1:1	SHEET 4 OF 8

# SERIAL COMM SECTION

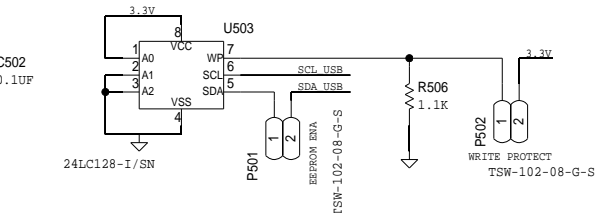
REVISIONS			
REV	DESCRIPTION	DATE	APPROVED



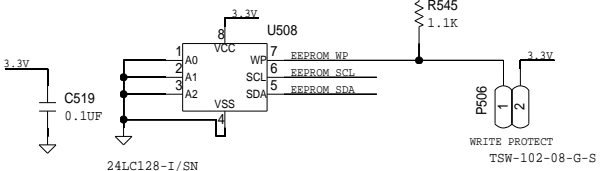
## BOARD ADDRESS HEADER



CYUSB EEPROM  
I2C ADDRESS = 0X51



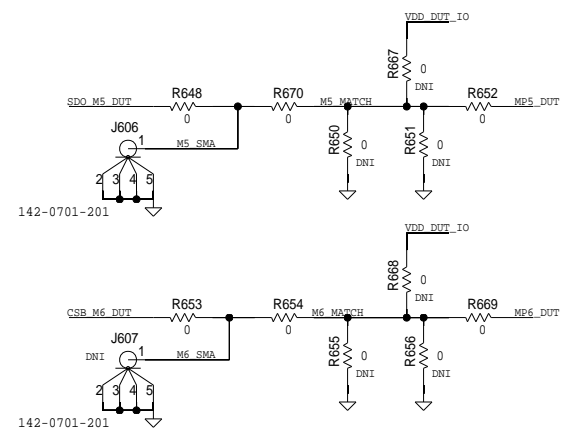
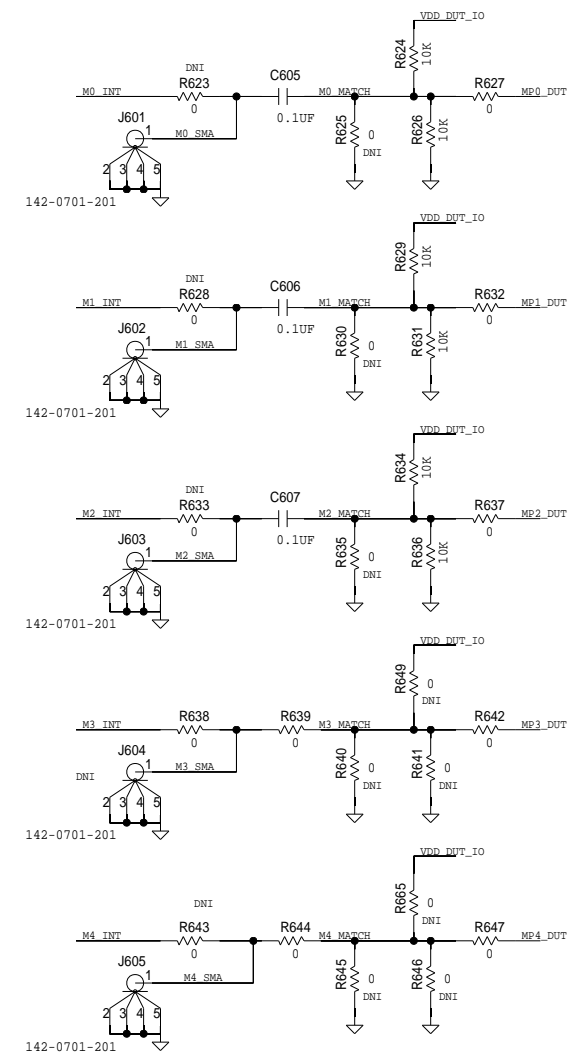
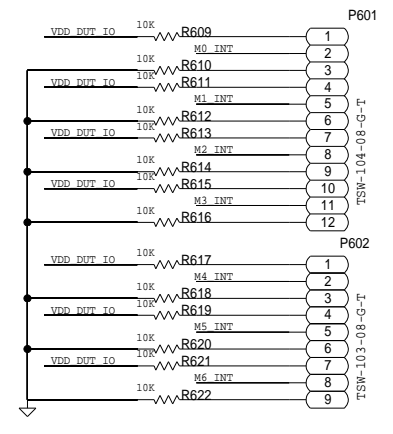
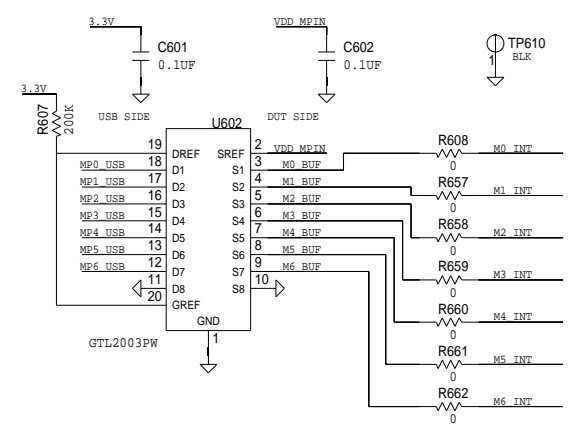
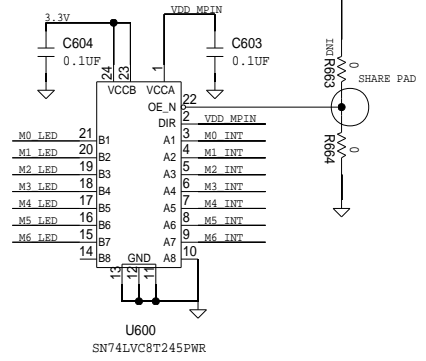
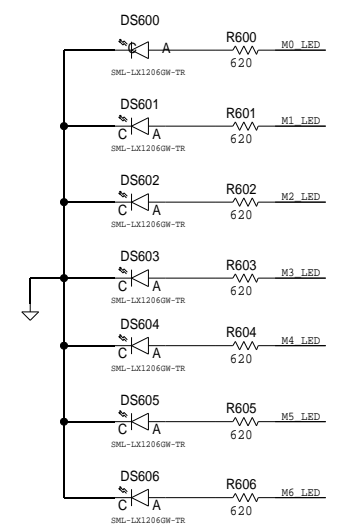
I2C ADDRESS = 0X50  
PI EEPROM



	<b>SCHEMATIC</b>		
	HW TYPE : Customer Evaluation Z Product(s) : AD9546 : NA		
DESIGN VIEW <DESIGN_VIEW>	DRAWING NO. 02_051441	REV B	
PTD ENGINEER P ROBINSON	SIZE D	SCALE 1:1	SHEET 5 OF 8

# MPIN SECTION

REVISIONS			
REV	DESCRIPTION	DATE	APPROVED



1. PLACE R623, R628, R633, R638, R643, R648, R653 BELOW J601, J602, J603, J604, J605, J607 RESPECTIVELY TO PREVENT/MINIMIZE STUBS
2. MATCH TRACES M0\_MATCH, M1\_MATCH, M2\_MATCH, M5\_MATCH WITH A LENGTH DIFFERENCE MUCH LESS THAN 1MIL
3. MATCH TRACES MP0\_DUT, MP1\_DUT, MP2\_DUT, MP5\_DUT WITH A LENGTH DIFFERENCE MUCH LESS THAN 1MIL
4. OVERALL TRACE LENGTH MATCHING OF LESS THAN 1 MIL:  
 $M0\_MATCH + MP0\_DUT = M1\_MATCH + MP1\_DUT = M2\_MATCH + MP2\_DUT = M5\_MATCH + MP5\_DUT$

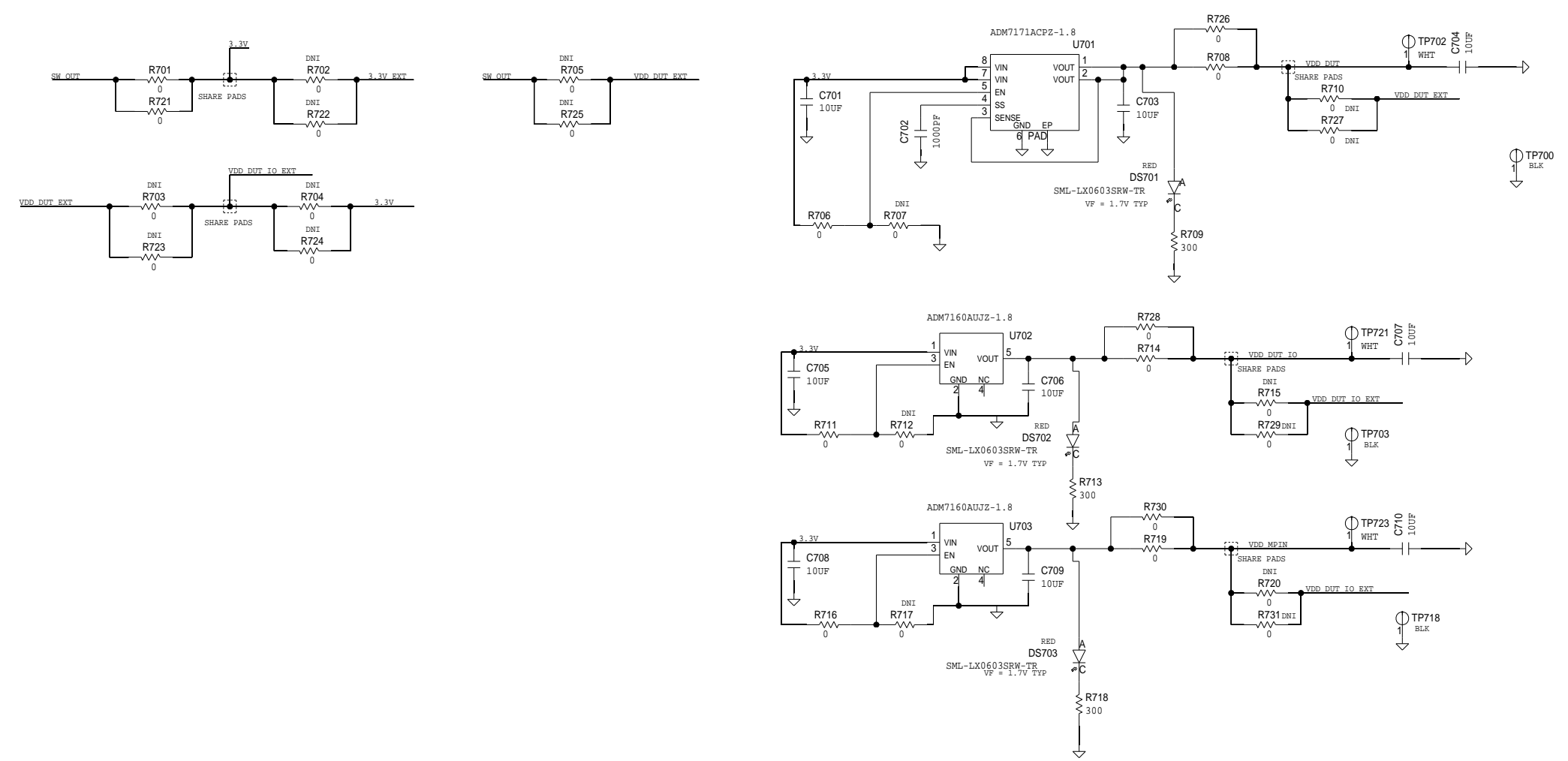
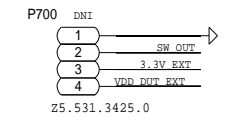
USB SIDE

DUT SIDE

	SCHEMATIC		
	HW TYPE : Customer Evaluation Z Product(s) : AD9546 : NA		
DESIGN VIEW <DESIGN_VIEW>	DRAWING NO. 02_051441	REV B	
PTD ENGINEER P ROBINSON	SIZE D	SCALE 1:1	SHEET 6 OF 8

REVISIONS			
REV	DESCRIPTION	DATE	APPROVED

# SUPPLY SECTION

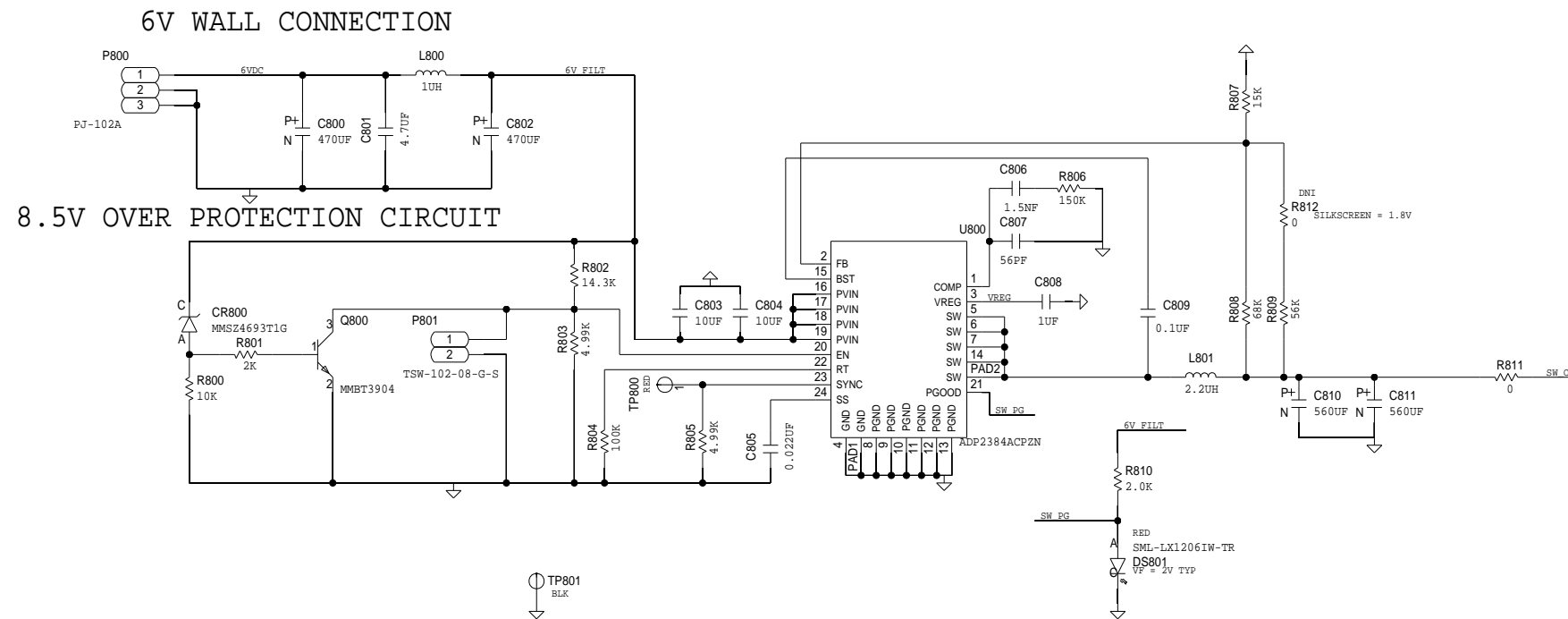


	<b>SCHEMATIC</b>		
	HW TYPE : Customer Evaluation Z Product(s) : AD9546 : NA		
DESIGN VIEW <DESIGN_VIEW>	DRAWING NO. 02_051441	REV B	
PTD ENGINEER P ROBINSON	SIZE D	SCALE 1:1	SHEET 7 OF 8

REVISIONS			
REV	DESCRIPTION	DATE	APPROVED

# SWITCHER SECTION

## DC TO DC STEP DOWN - 6V TO 3.3V



SCHEMATIC			
		HW TYPE : Customer Evaluation Z Product(s) : AD9546 : NA	
DESIGN VIEW <DESIGN_VIEW>		DRAWING NO. 02_051441	REV B
PTD ENGINEER P ROBINSON		SIZE D	SCALE 1:1
		SHEET 8 OF 8	