

### EMI Consideration

#### Suggested filter to comply with EN 55032 Conducted and Radiated Emissions Class A limits

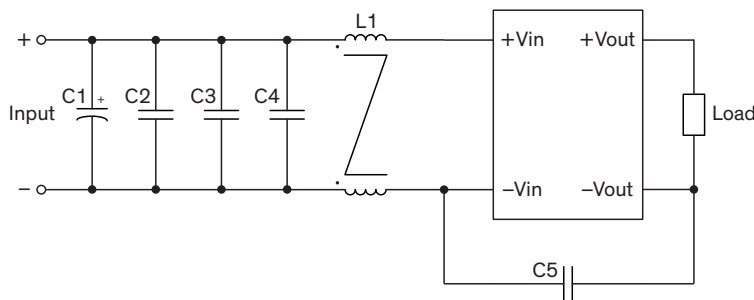
TEN 20WIR series meet EN 55032 conducted and radiated emissions Class A without external components.

#### Suggested filter to comply with EN 55032 Conducted and Radiated Emissions Class B limits

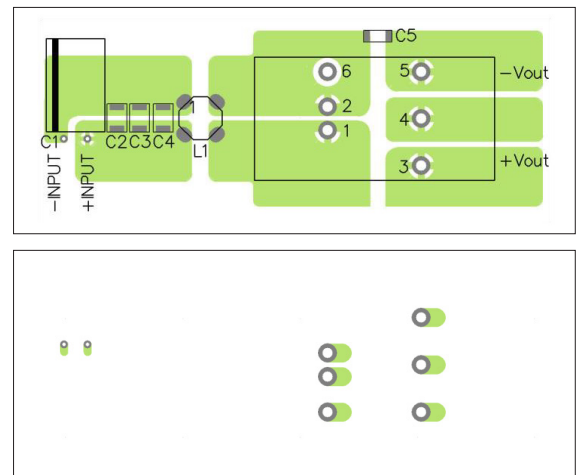
24 Vin and 48 Vin models meet EN 55032 conducted and radiated emissions Class B without external components.

#### Single output models

110 Vin models only

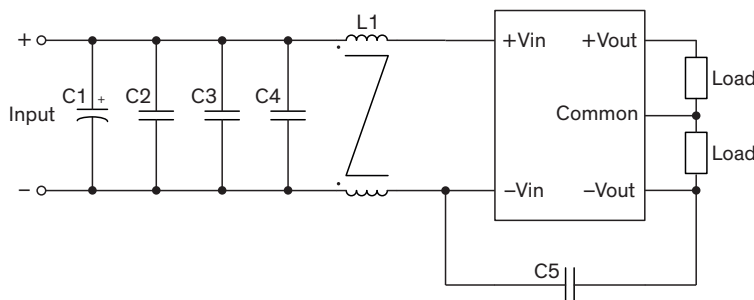


#### PCB layout suggestion

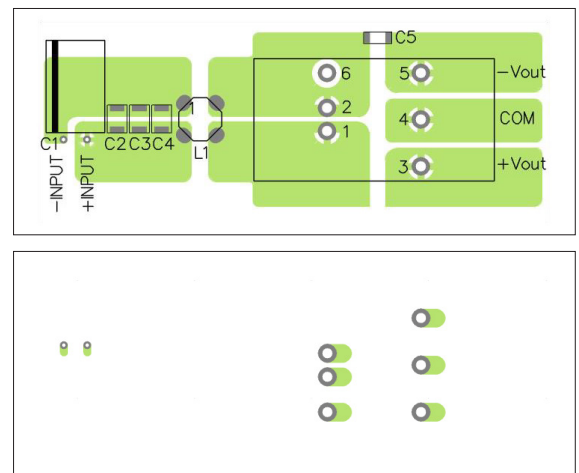


#### Dual output models

110 Vin models only



#### PCB layout suggestion



### Suggested components to comply with EN 55032 Conducted and Radiated Emissions Class B limits

Model	C1	C2, C3, C4	C5	L1
TEN 20-24xxWIR TEN 20-48xxWIR	No external components needed to meet EN 55032 Conducted and Radiated Emissions Class B.			
TEN 20-72xxWIR	39 $\mu$ F / 250 V BXF	0.47 $\mu$ F / 250 V 1812 MLCC	1000 pF / 3 kV 1808 MLCC	470 $\mu$ H TCK-090

TCK-090 datasheet: [www.tracopower.com/products/tck090.pdf](http://www.tracopower.com/products/tck090.pdf)