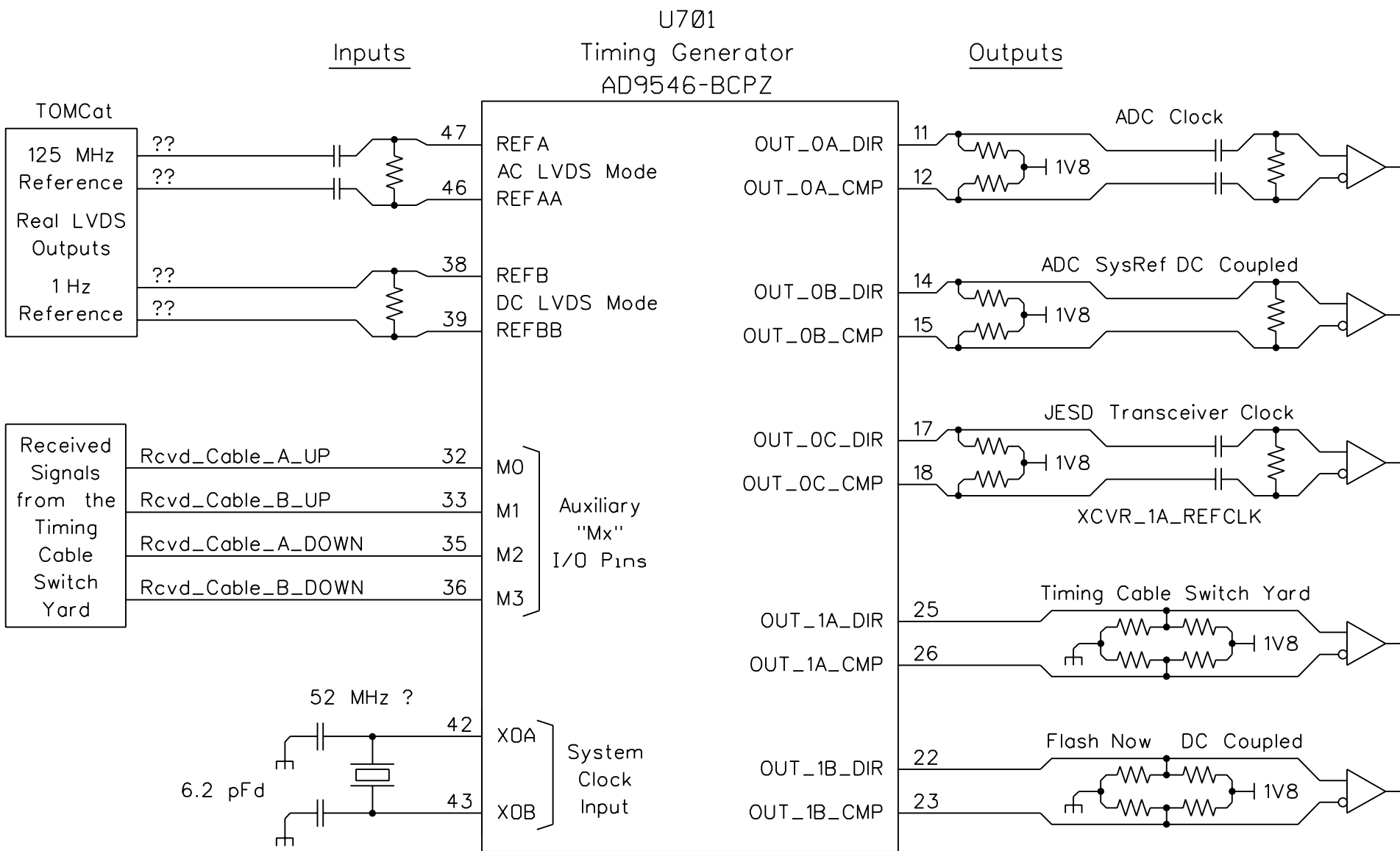


# Timing Generator - Timing Signals In/Out



Use: Quartz Crystal Path,

Freq Doubler ON, Comp Method 3

All 5 Outputs Set for Differential 7.5 mA Sink

DK Draw. 24