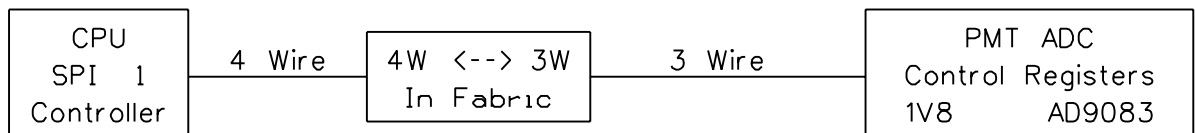
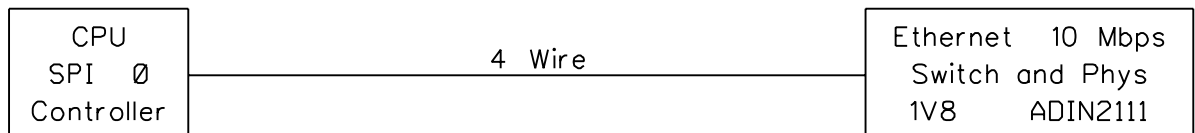
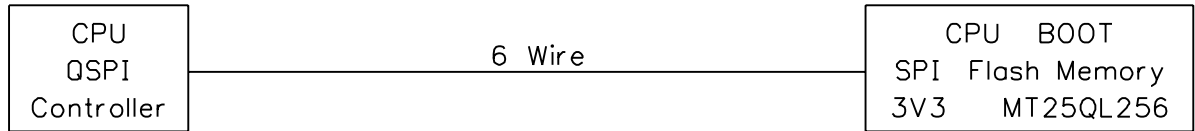
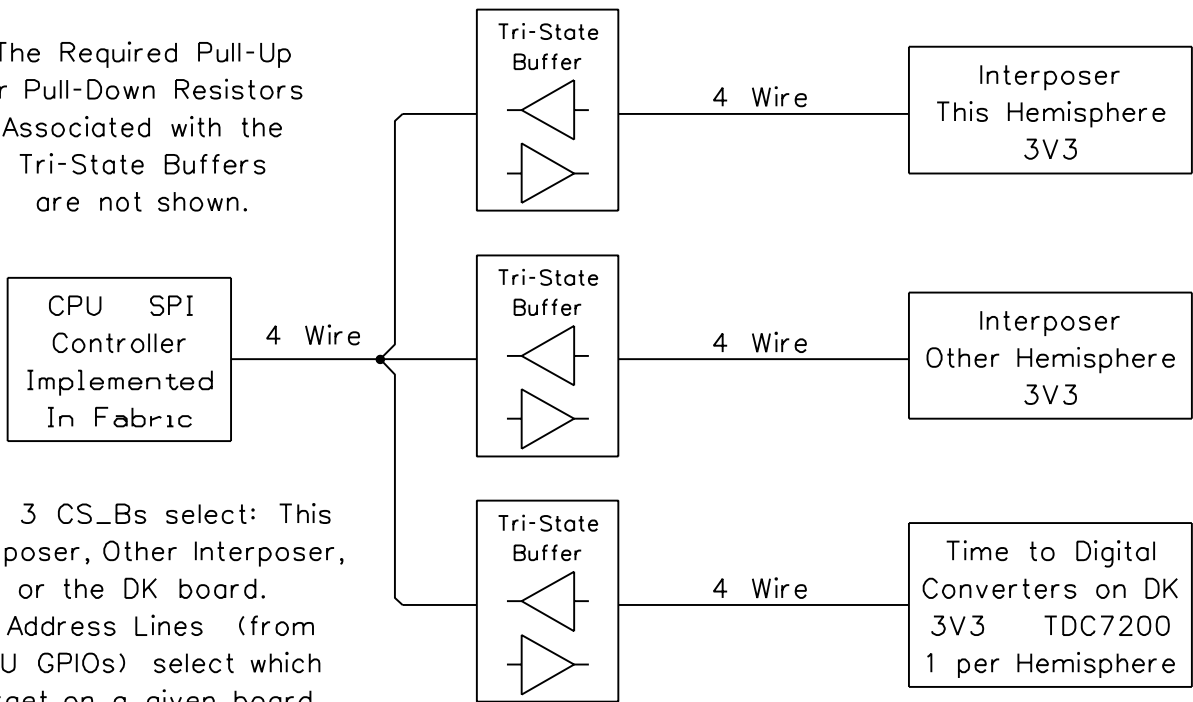


# DK Board's SPI Buses



The Required Pull-Up or Pull-Down Resistors Associated with the Tri-State Buffers are not shown.



The 3 CS\_Bs select: This Interposer, Other Interposer, or the DK board. 3 Address Lines (from CPU GPIOs) select which target on a given board.

