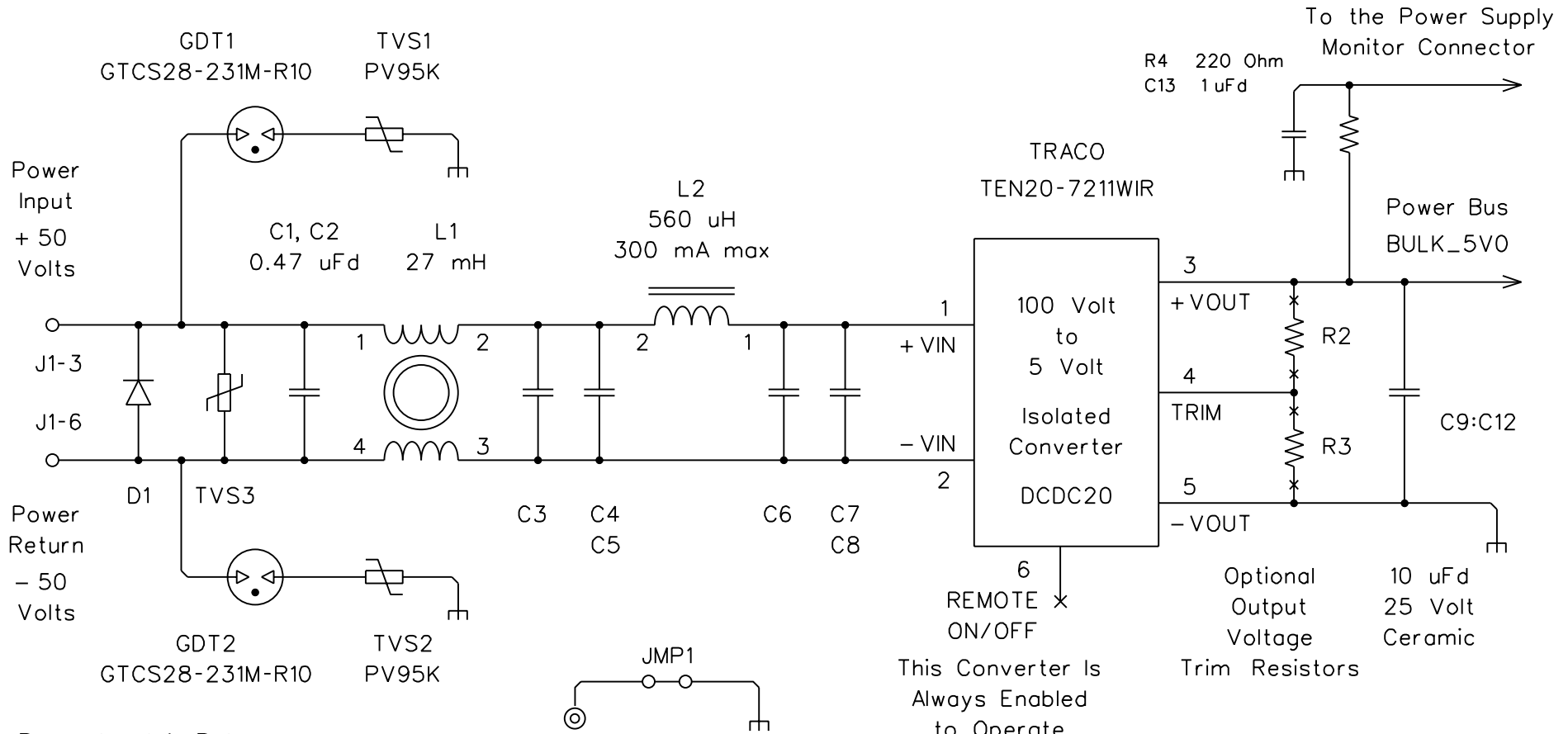


DK Board Input Power to 5 Volt Converter



Power Input & Return Voltages are with respect to Sea Water.

M3 Mounting Screw Sea Water Reference

This Converter Is Always Enabled to Operate

Optional Output Voltage Trim Resistors
10 uFd 25 Volt Ceramic

Ground Vias for the Converter's Metal Case

Noise Isolation Plane

Signal Ground in this Module

Actual Reference Designators Are Larger by 1650.

In the Input Filter Section the 2 Capacitor Symbols Imply:

