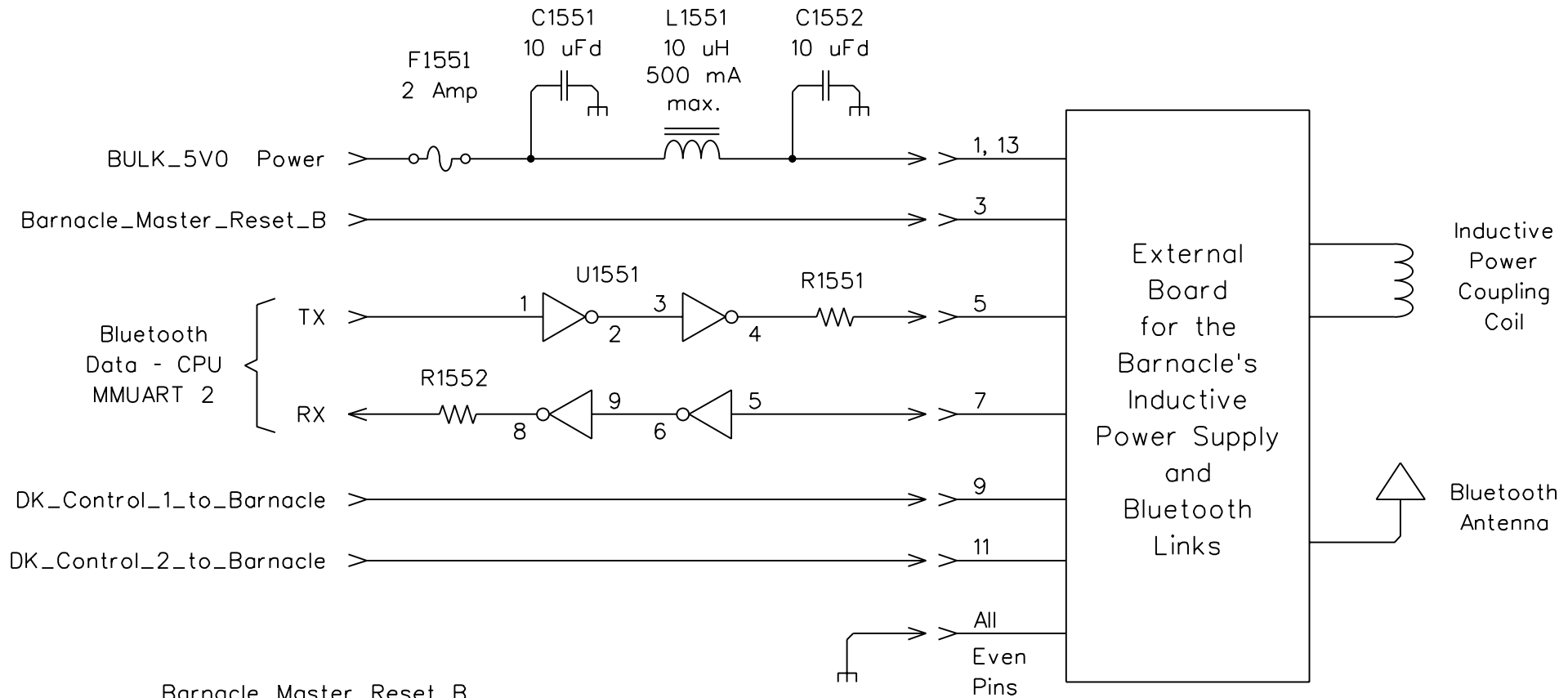


Connection to the Barnacle Board



Barnacle_Master_Reset_B, DK_Control_1_to_Barnacle, and DK_Control_2_to_Barnacle, are all Open-Drain signals that will be held Low during Module Power Up. Pull-Up resistors are on the Barnacle. Pull-Up current should be held below 1.5 mA.

Connector J7
14 Pin Header
on the
DK Board

UART data to/from Barnacle is 3.3 Volt.

Asserting Barnacle_Master_Reset_B must Turn OFF most of the power consumption by the Inductive Power Supply and the Bluetooth Transceiver.