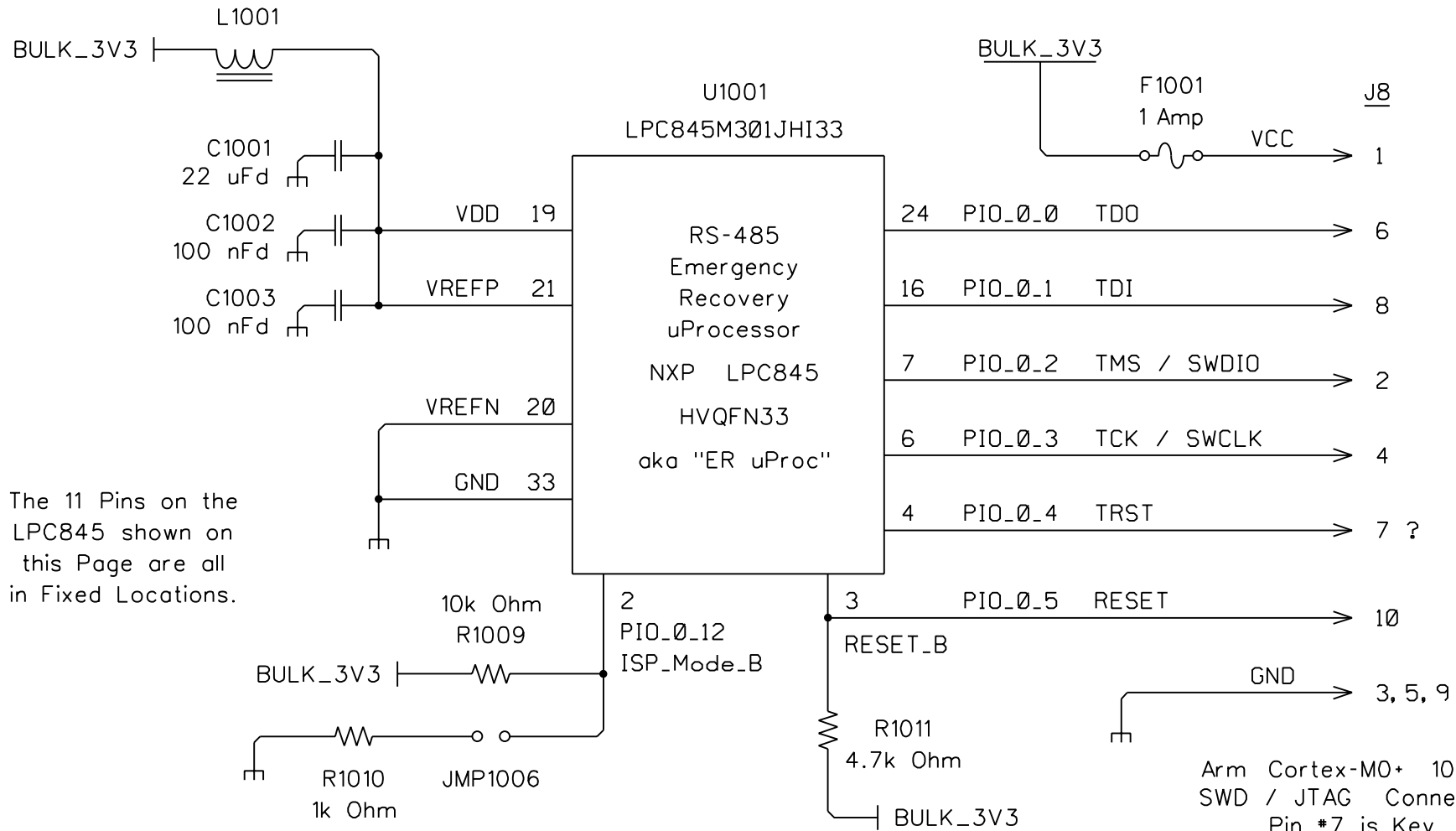


RS-485 Emergency Recovery Page 2

Power, Reset, ISP, SWD, and JTAG



JMP1006 is the ISP Mode Jumper

Low during Reset starts the

In System Programming command handler.

Open for normal startup & operation.

Arm Cortex-M0+ 10 Pin
SWD / JTAG Connector
Pin #7 is Key
Board Header: FTSH-105-01
Pull-Ups on: TDI, TMS, TCK, TRST
R1016 : R1019 10k Ohm
See User's Guide Page 505