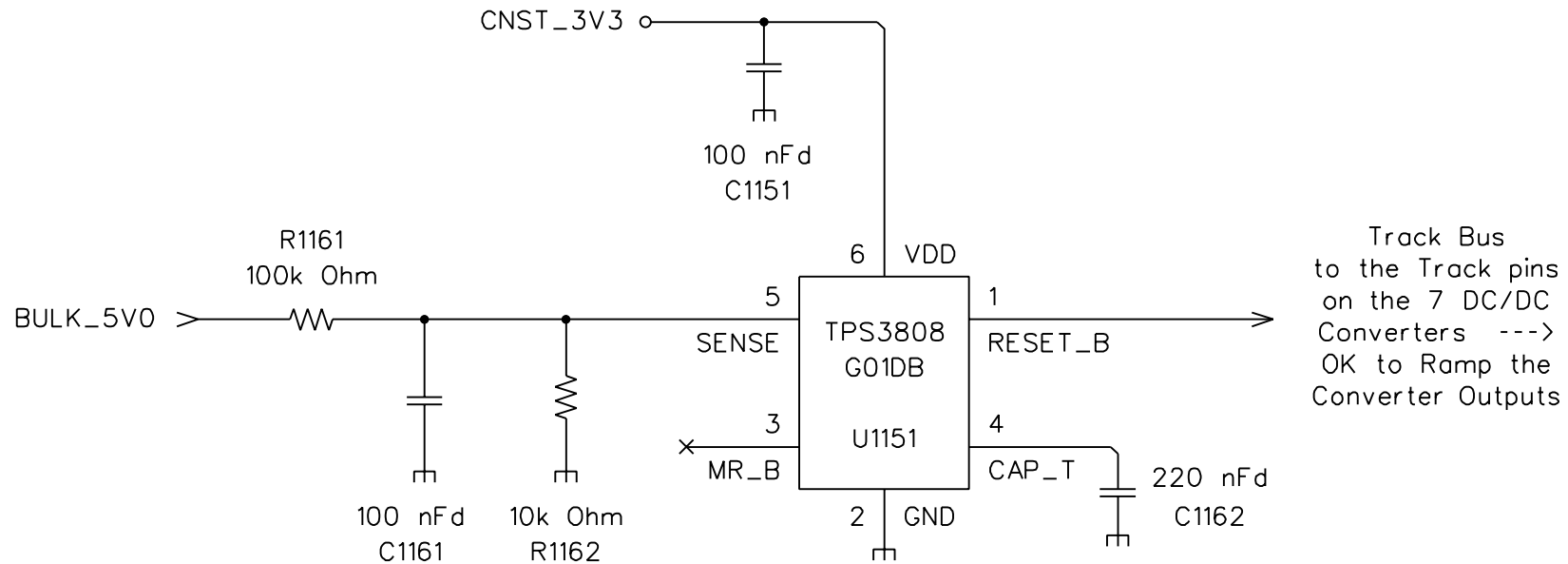


# DK Board Power Supply Startup Supervisor



The 10k Ohm and 100 nF provide about 1 msec of filtering.

The Internal Reference of the TPS3808 is 0.405 Volts.

The RESET\_B pin is an Open Drain output.

R1161 and R1162 imply a threshold of about 4.455 Volts on BULK\_5V0.

The 220 nF timing Capacitor implies about 1.2 seconds of delay between BULK\_5V0 reaching its threshold and the Track Bus starting to ramp up.

The RESET\_B pin is Low until the Sense pin is Above Threshold AND the Delay Period has elapsed.