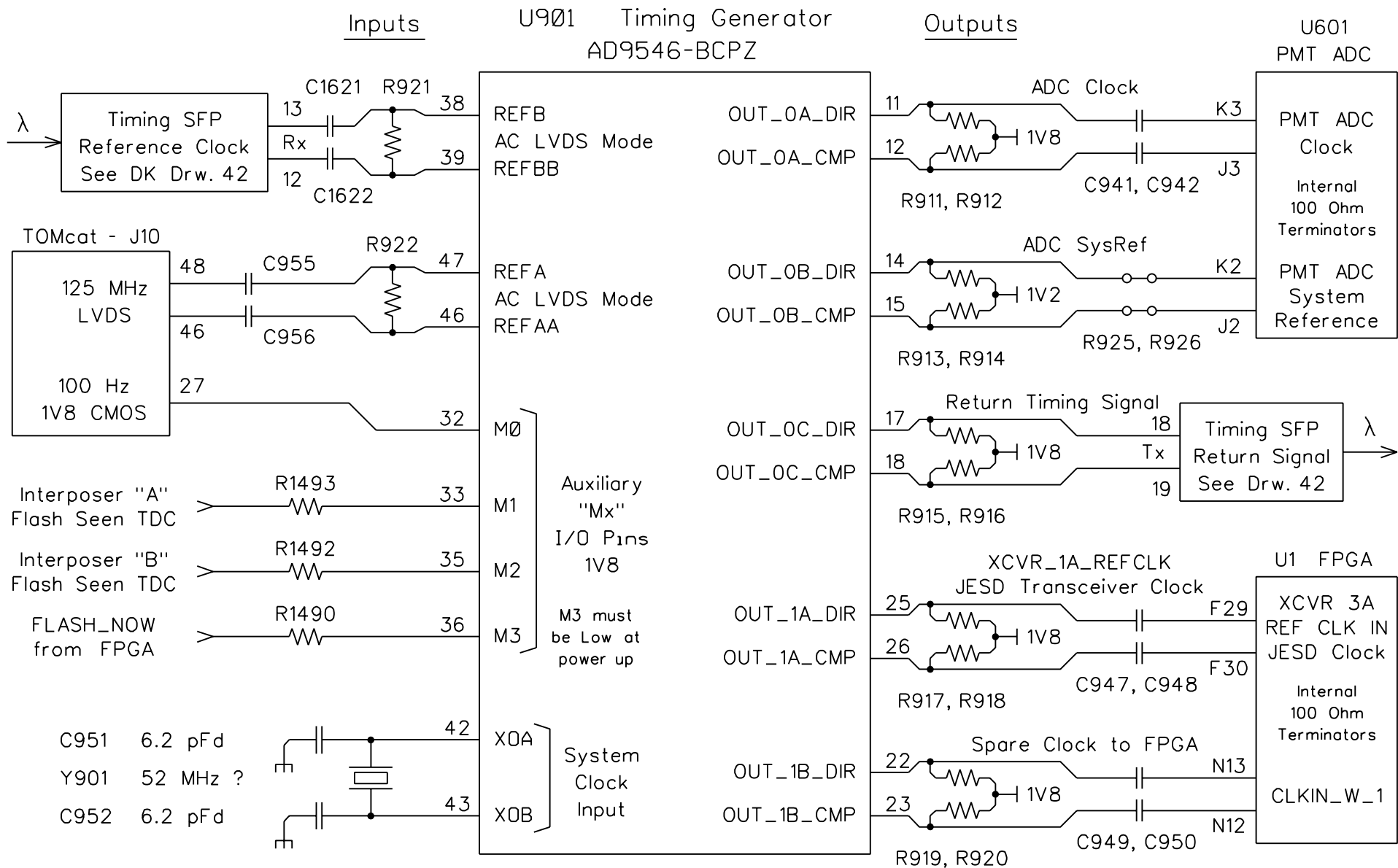


Timing Generator - Timing Signals Input/Output



Use: Quartz Crystal Path,

Freq Doubler ON, Comp Method 3

All 5 Outputs Are Set for Differential 7.5 mA Sink

DK Drw. 50