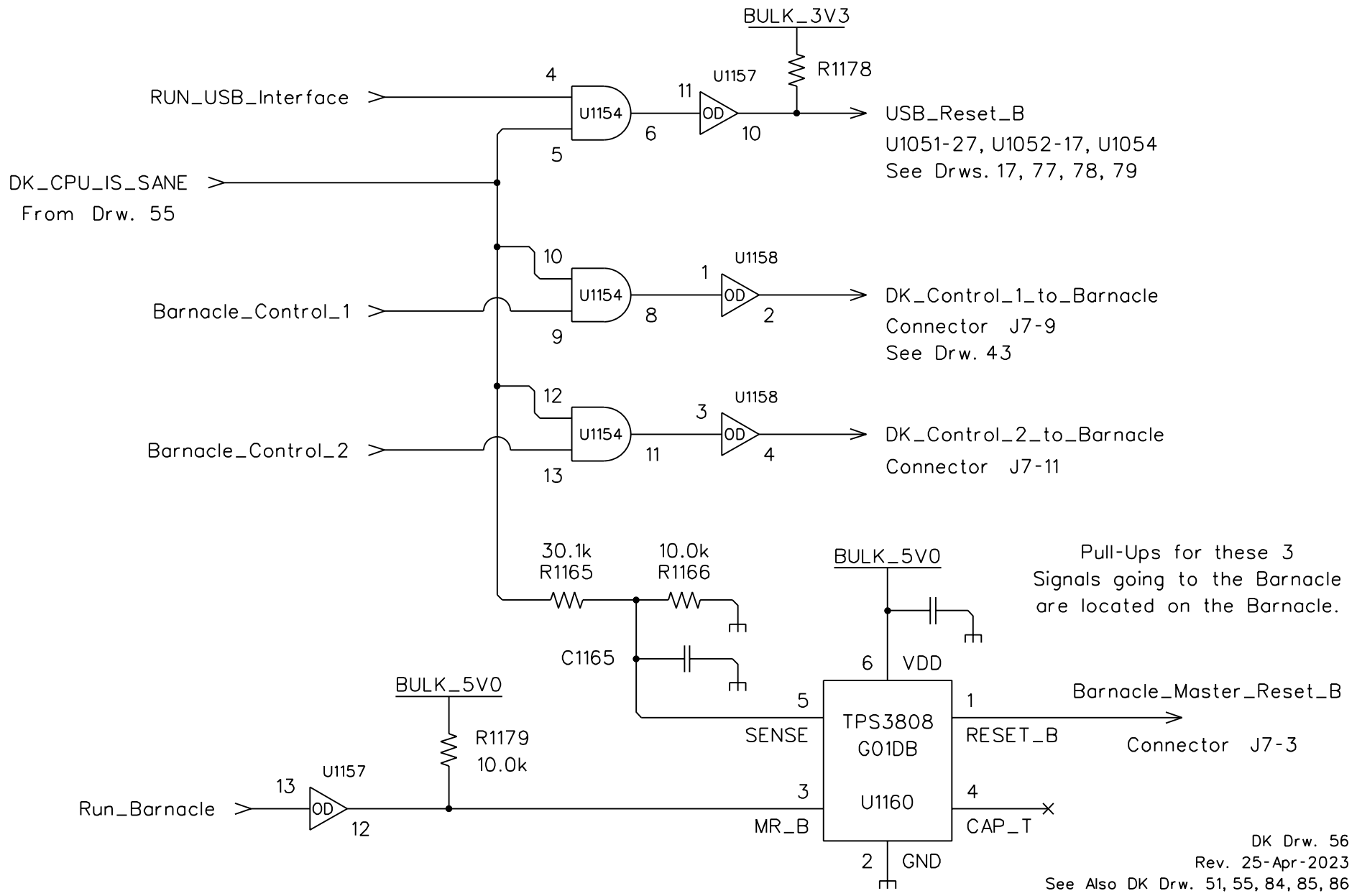


Reset Circuits Page 2 & Barnacle Control



Pull-Ups for these 3 Signals going to the Barnacle are located on the Barnacle.