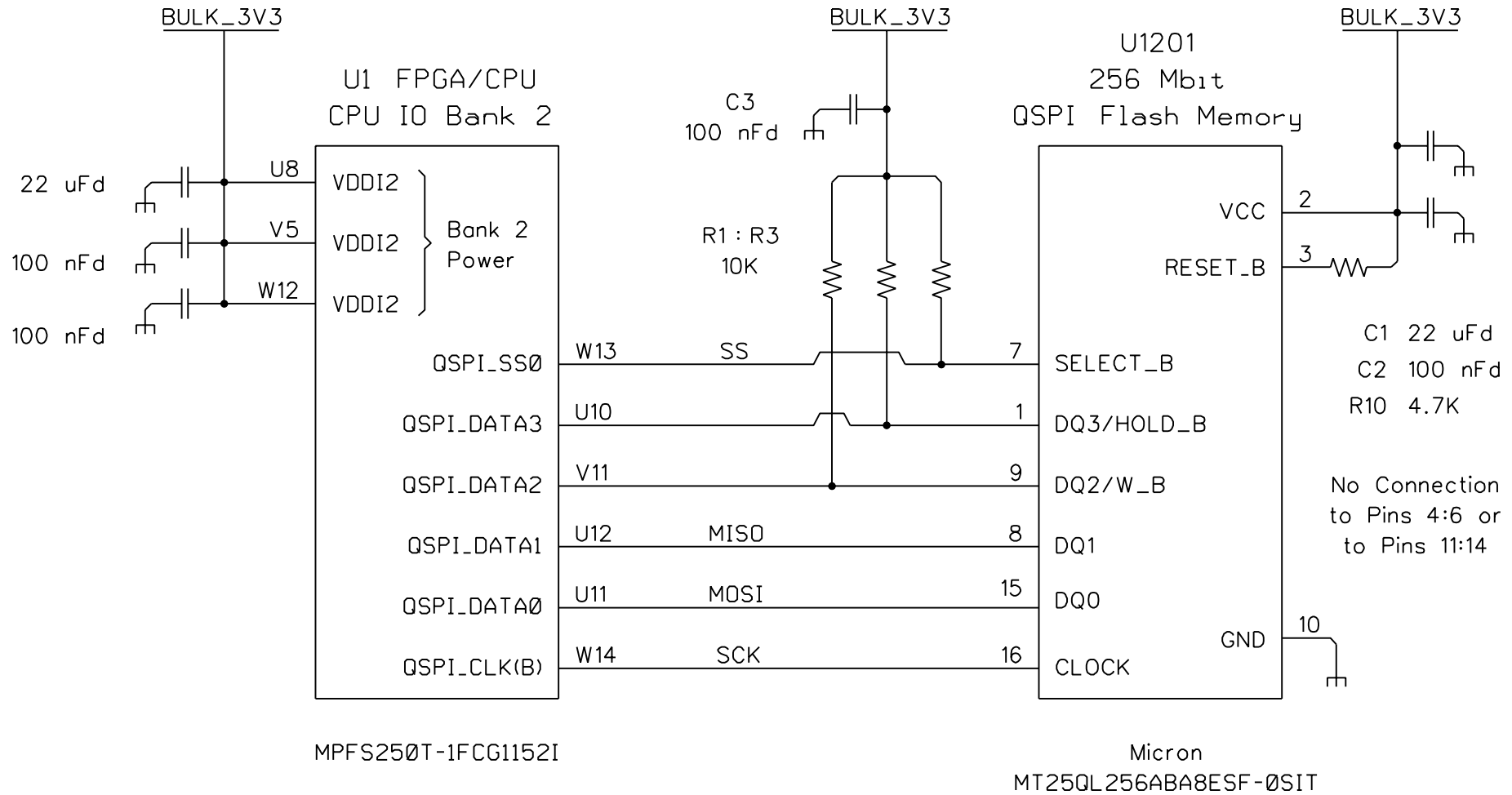


# CPU QSPI Port & CPU Boot Memory



The U1 pin numbers for the QSPI Controller represent routing it out via Bank #2.

This section's actual reference designators start at 1201.