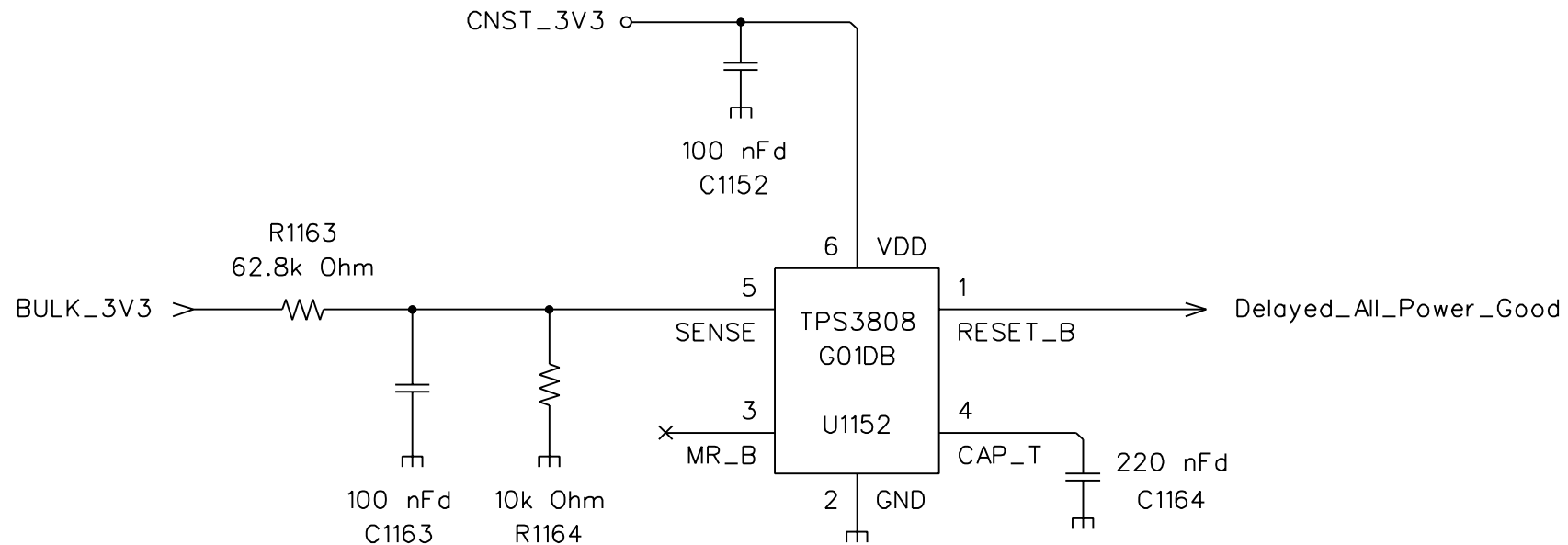


All Power Good Supervisor



The 10k Ohm and 100 nF provide about 1 msec of filtering.

The Internal Reference of the TPS3808 is 0.405 Volts.

The RESET_B pin is an Open Drain output.

R1163 and R1164 imply a threshold of about 2.950 Volts on BULK_3V3.

The 220 nF timing Capacitor implies about 1.2 seconds of delay between BULK_3V3 reaching its threshold and the Assertion of Delayed_All_Power_Good.

The RESET_B pin is Low until the Sense pin is Above Threshold AND the Delay Period has elapsed.