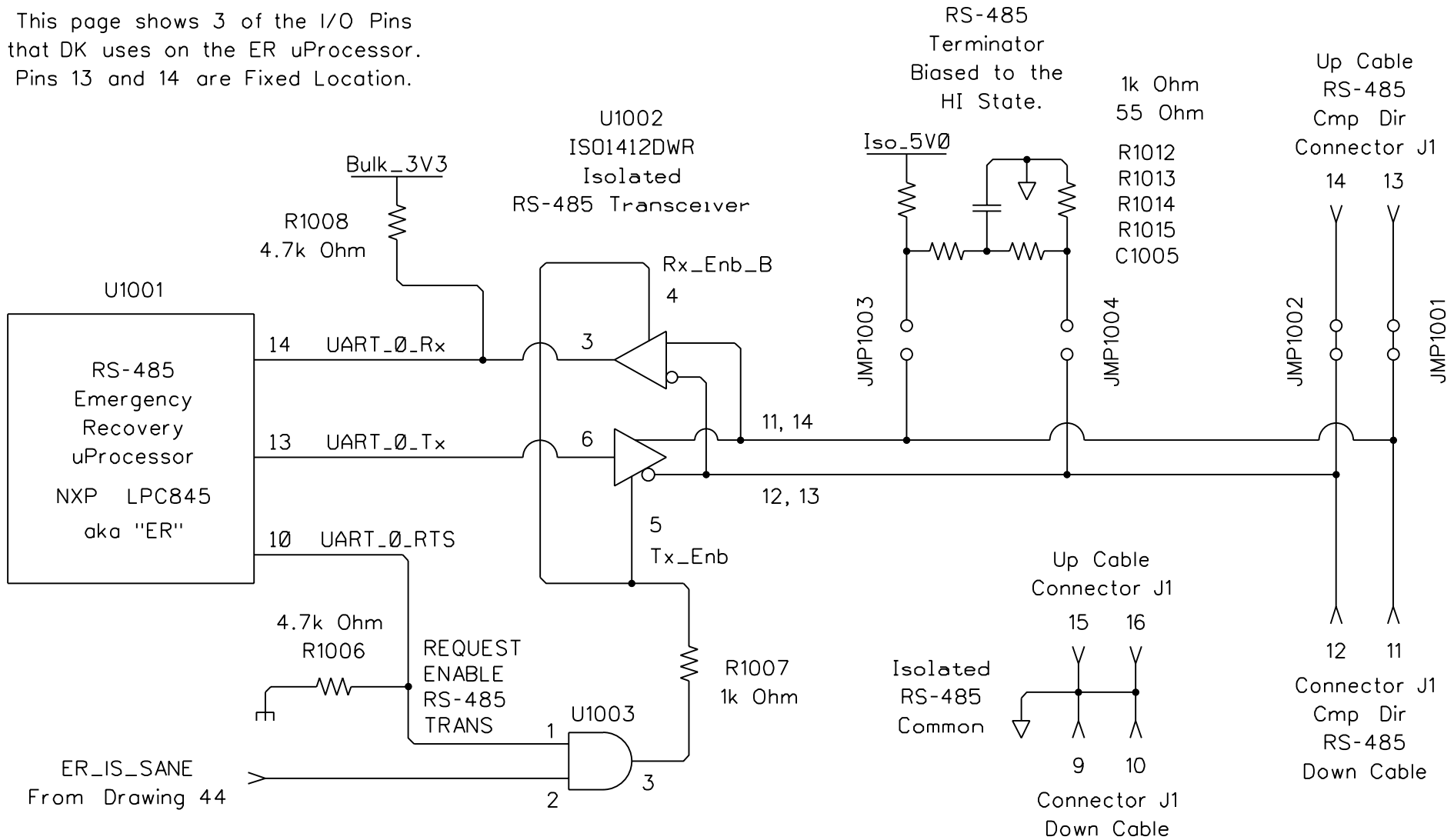


RS-485 Emergency Recovery Page 3

This page shows 3 of the I/O Pins that DK uses on the ER uProcessor. Pins 13 and 14 are Fixed Location.



The Emergency Rescue uProcessor and its side of the RS-485 Transceiver are powered by Bulk_3V3. The Logic Gate is powered by CNST_3V3.