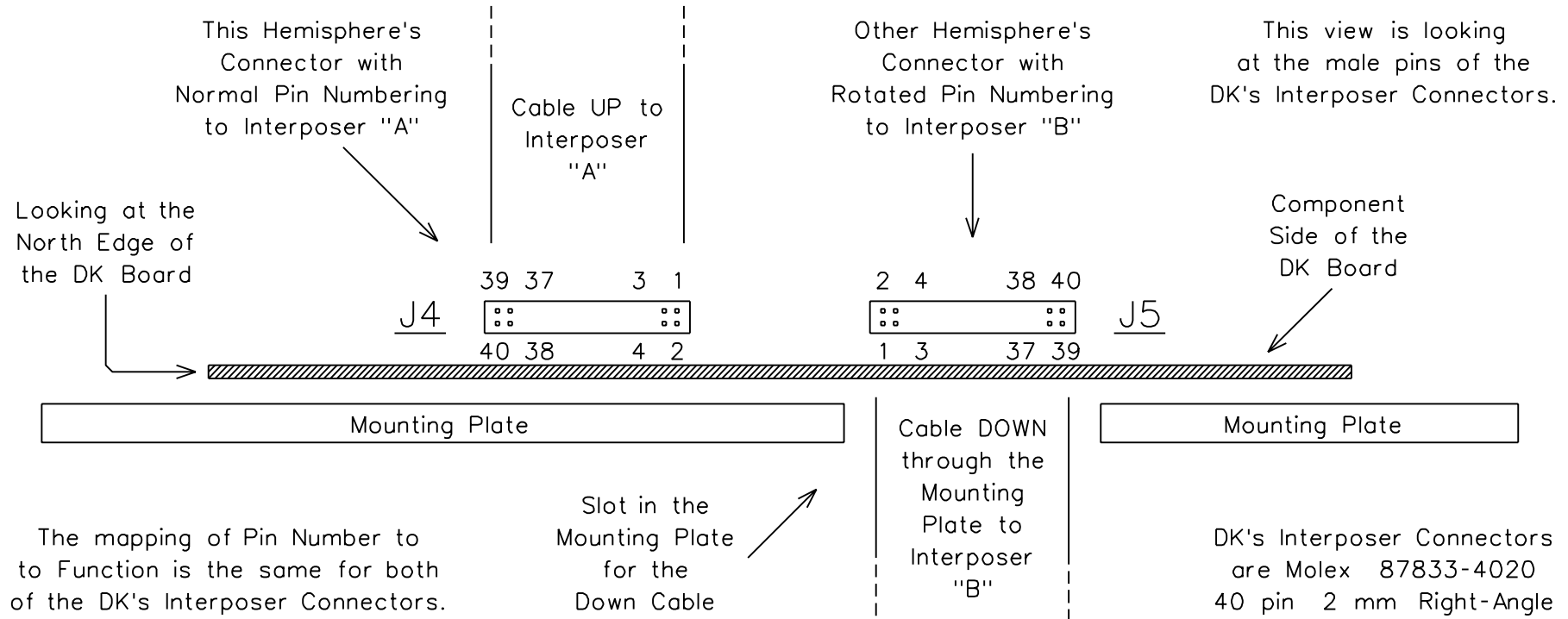


DK's Interposer Connectors & Pin Layout



Pin Num	Function	Pin Num	Function
1	1V8	2	1V8
3	3V3	4	3V3
5	Gnd	6	Gnd
7	Flash_Pulse_P	8	Flash_Pulse_N
9	Gnd	10	Gnd
11	Piezo_P	12	Piezo_N
13	Gnd	14	Gnd
15	FLASH_TDC	16	Gnd
17	Gnd	18	SPI_CLK
19	Ctrl_Reset	20	SPI_MISO

DK Drw. 69
Rev. 26-July-2024

Pin Num	Function	Pin Num	Function
21	Gnd	22	SPI_MOSI
23	A0	24	SPI_CS
25	Gnd	26	Gnd
27	A2	28	A1
29	Gnd	30	Gnd
31	uBase_UART_Tx	32	uBase_UART_Rx
33	Muon_S1	34	Gnd
35	Muon_S2	36	Muon_S3
37	Muon_S4	38	Gnd
39	5V0	40	5V0