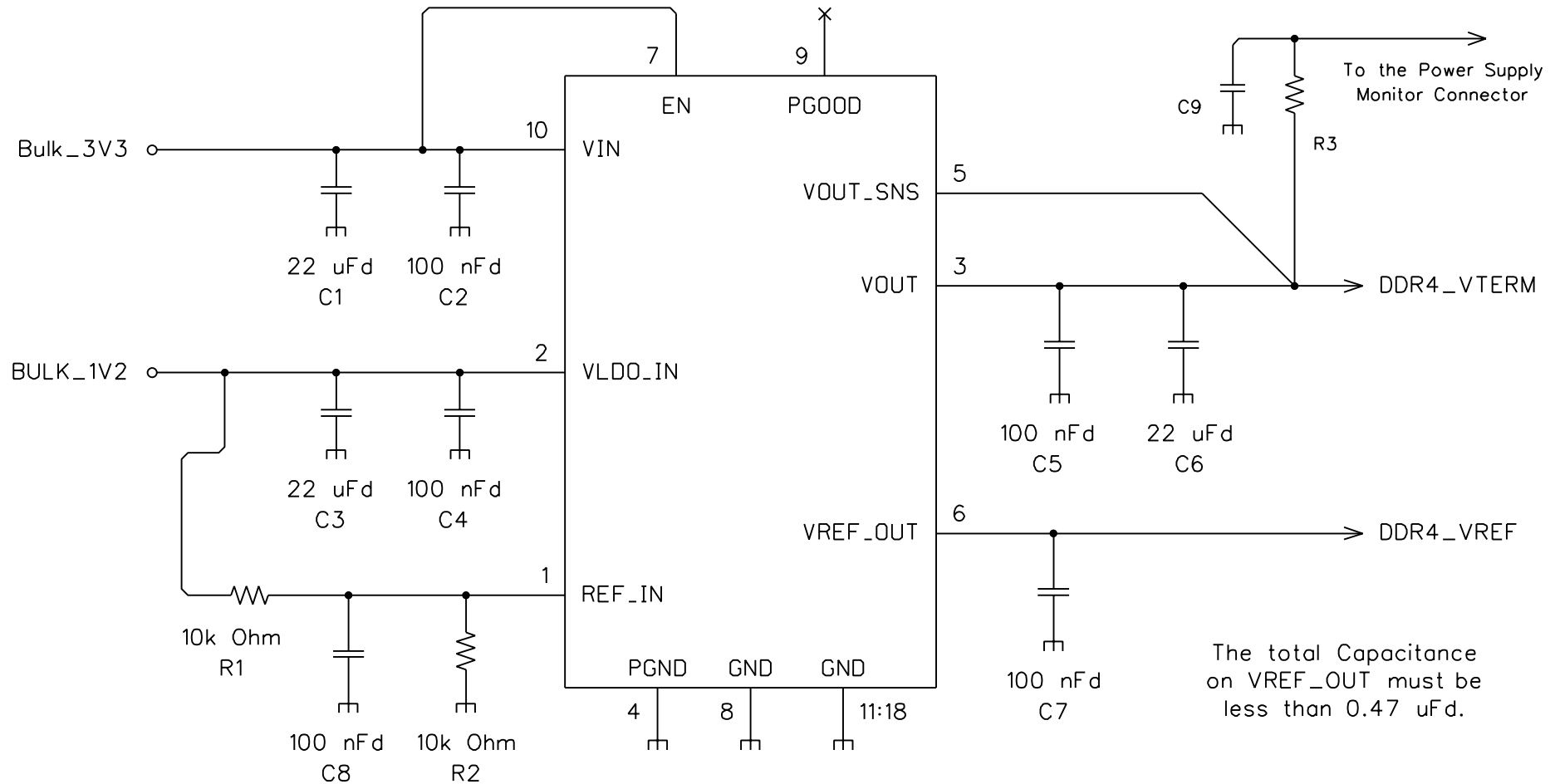


DDR4 Reference and Terminator Supplies

U1
TPS51200

The wall of Bypass Capacitors on the DDR4_VTERM Bus at the Terminator Resistors is not shown.



The total Capacitance on VREF_OUT must be less than 0.47 uF.

There are separate
TPS51200 DDR4 Terminator & Reference
Supplies for the Fabric and CPU memory arrays.

The Reference Designators Start at:
1921 for the FPGA DDR4 Term Ref. Supply
1941 for the CPU DDR4 Term Ref. Supply