

Interposer Connection Details Page 1

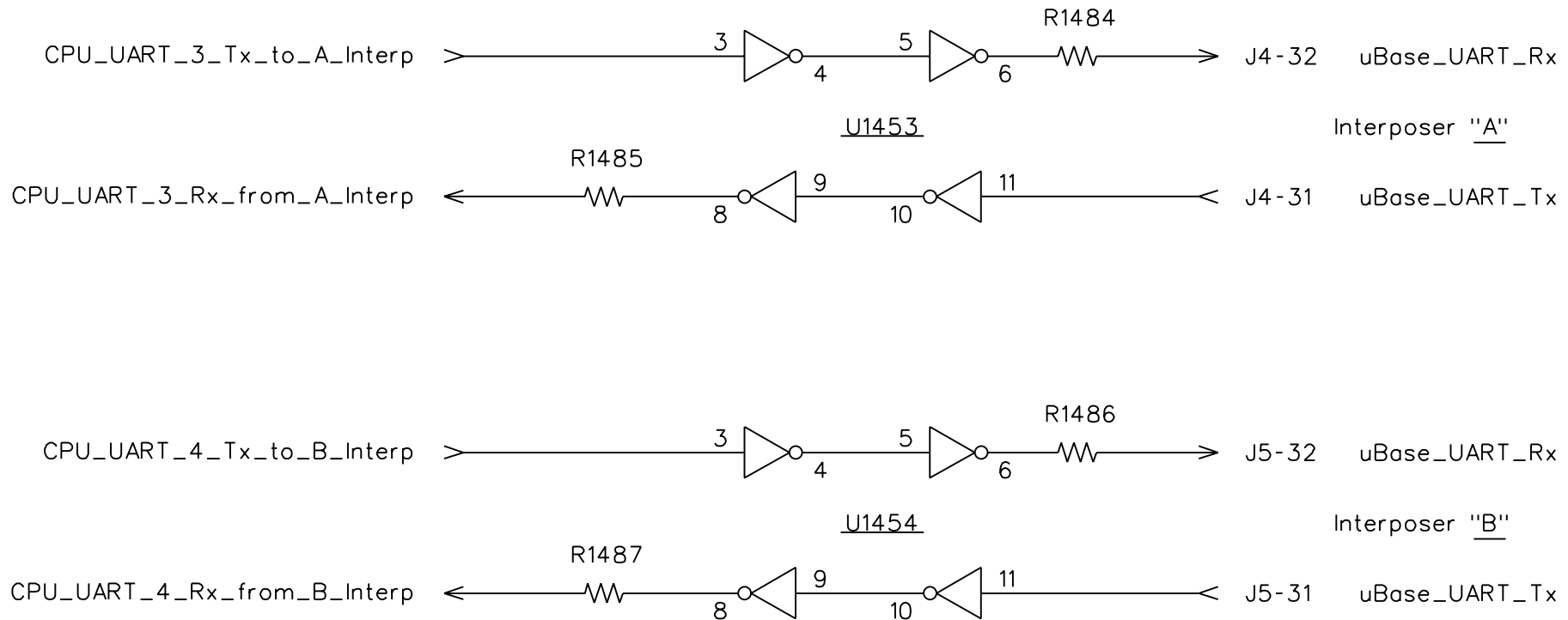
PMT microBase - UART Signals

FPGA/CPU Signals

1.8 Volt

Interposer Signals

1.8 Volt



U1454 and U1455 are 1.8 Volt and have 2 unused sections each.