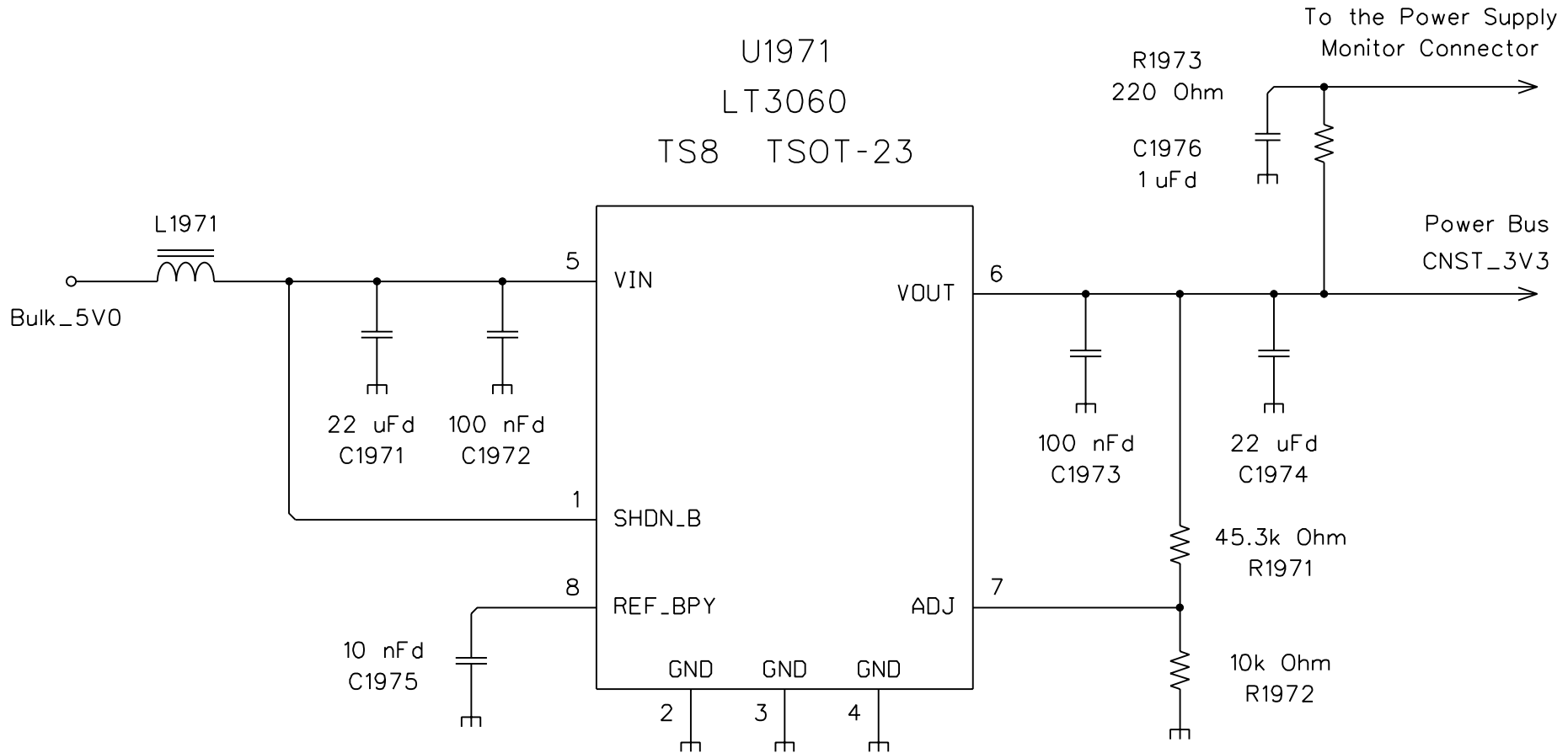


DK Board CNST_3V3 Supply



The 10 nFd REF-BPY capacitor gives a startup time of about 10 msec.

The CNST_3V3 bus provides power whenever the BULK_5V0 bus is above about 3.6 Volts.

The LT3060's Internal Reference is 600 mV. Maximum output current is 100 mA with a typical drop of 300 mV.