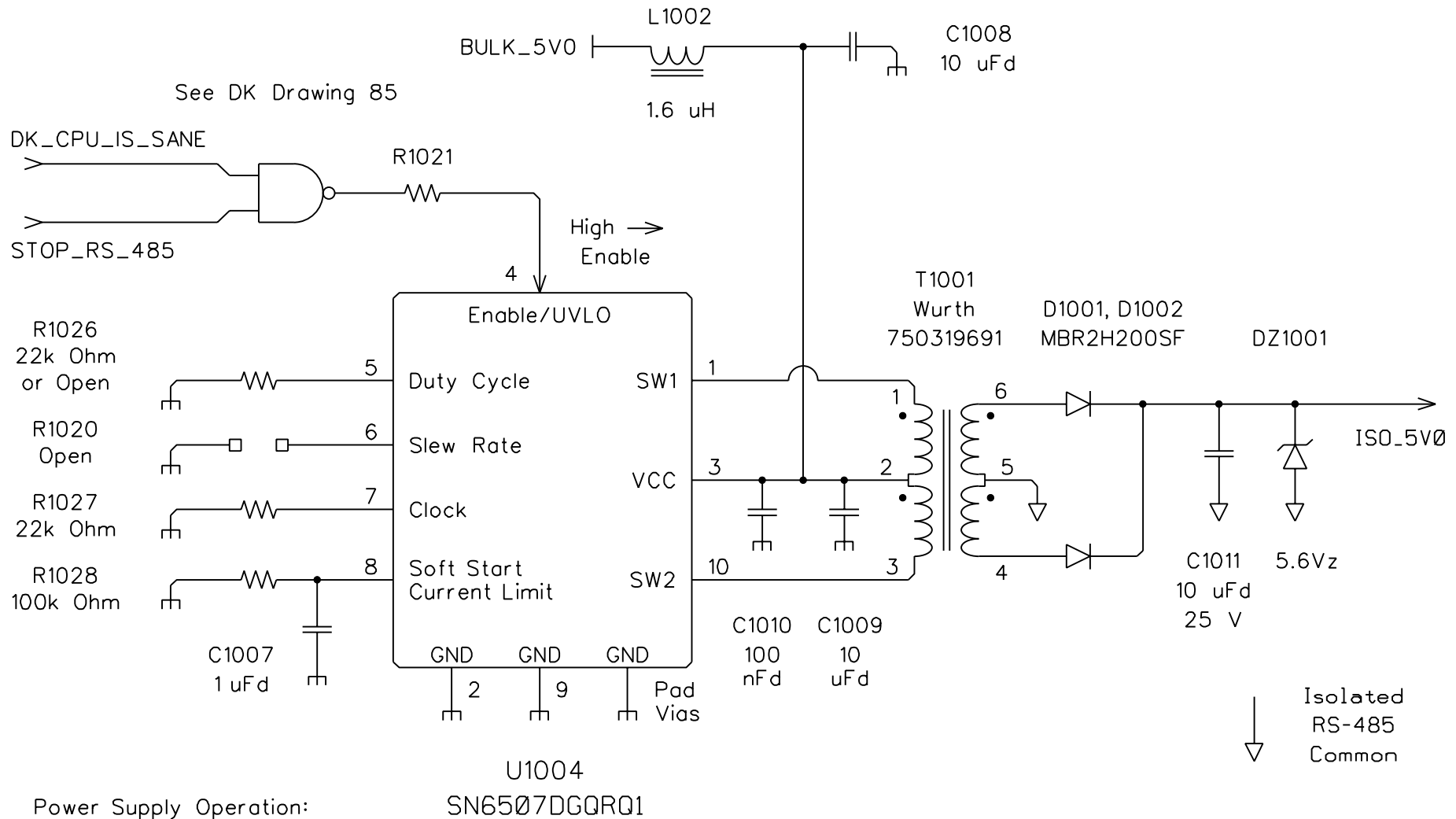


Isolated RS-485 Power Supply



Power Supply Operation:

518 kHz Switching Frequency
264 mA Current Limit
3.72 msec Soft Start