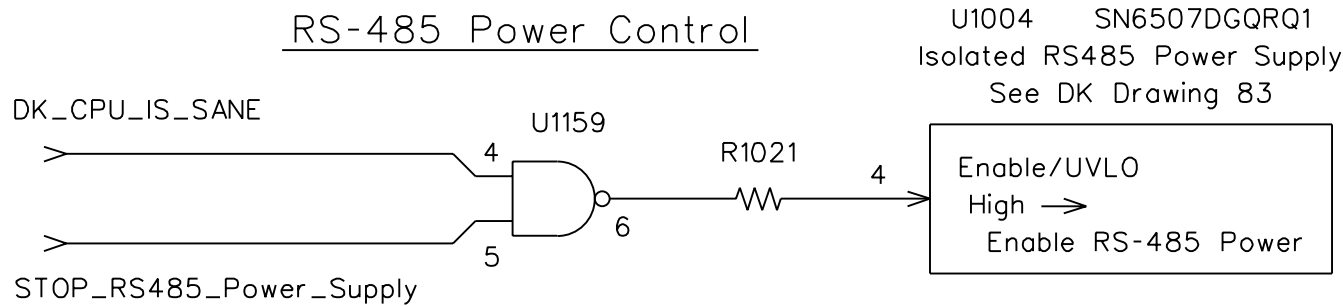


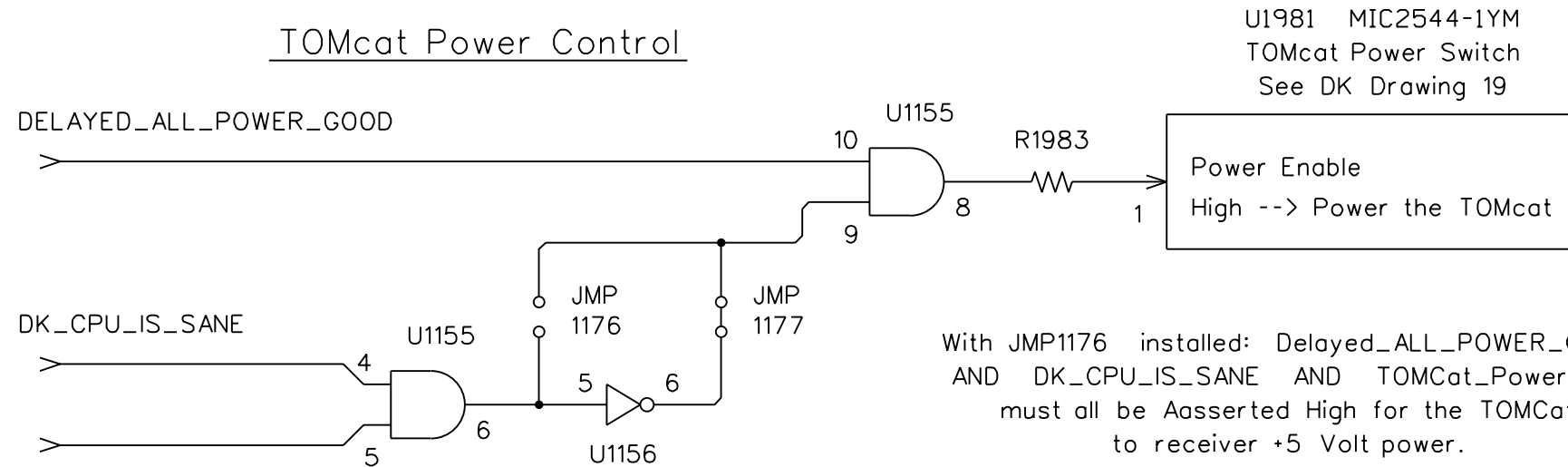
# RS-485 & TOMcat Power Control Page 4

## RS-485 Power Control



To Turn OFF the Isolated RS-485 Power:  
DK\_CPU\_Is\_Sane AND Stop\_RS485\_Power\_Supply must both be asserted High.

## TOMcat Power Control



With JMP1176 installed: Delayed\_ALL\_POWER\_GOOD AND DK\_CPU\_IS\_SANE AND TOMCat\_Power\_Run must all be Asserted High for the TOMCat to receiver +5 Volt power.

With JMP1177 installed, TOMCat receives +5 Volt power as soon as DELAYED\_ALL\_POWER\_GOOD is asserted. Assertion High of CPU\_IS\_SANE AND TOMCat\_Power\_Stop is required to Turn Off the TOMCat power.

JMP1176 --> TOMCat\_Power\_Run  
JMP1177 --> TOMCat\_Power\_Stop