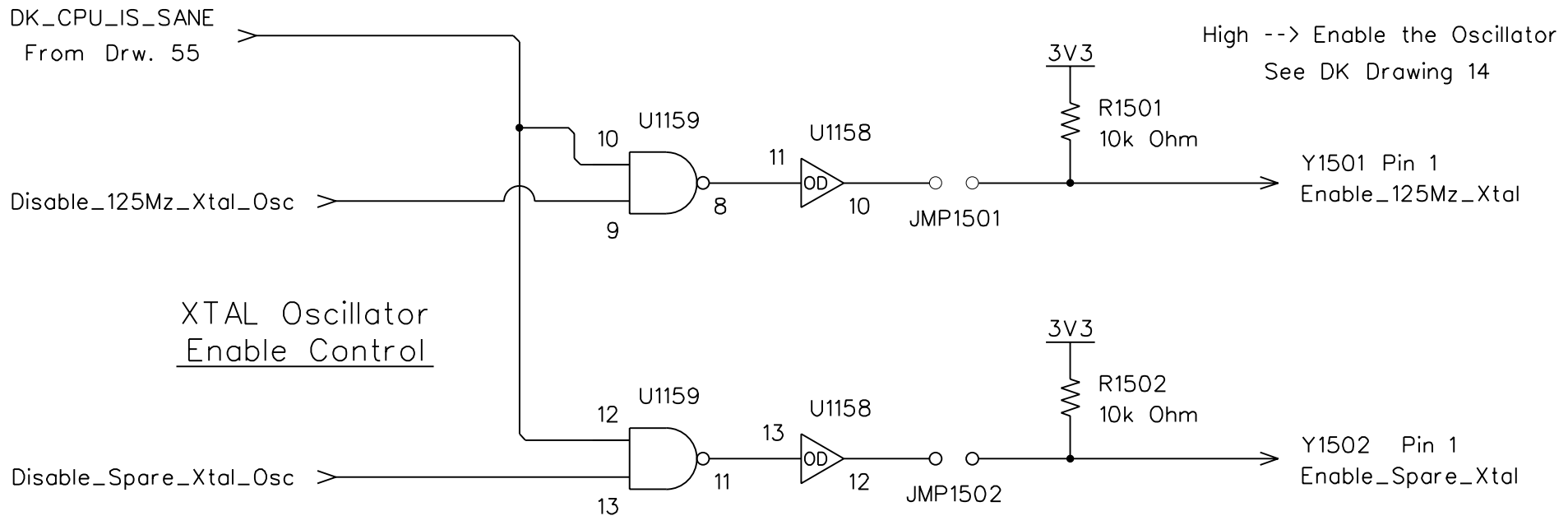


Crystal Oscillator Enable Control Page 5



HI Active Disable signals
from the DK's CPU GPIO

Instal the Jumper to Allow
Disabling of the Oscillator.

Spare Gates in the Startup Supervisor
and Reset/Enable Section

Jumper Not Installed -->
Oscillator Always Runs.

1 Spare AND in U1155

Notes: 2 Inverters in U1156 are used
by the ER circuits in Drw. 44
1 Inverter in U1156 is used by
Interposer SPI circuits in Drw. 51