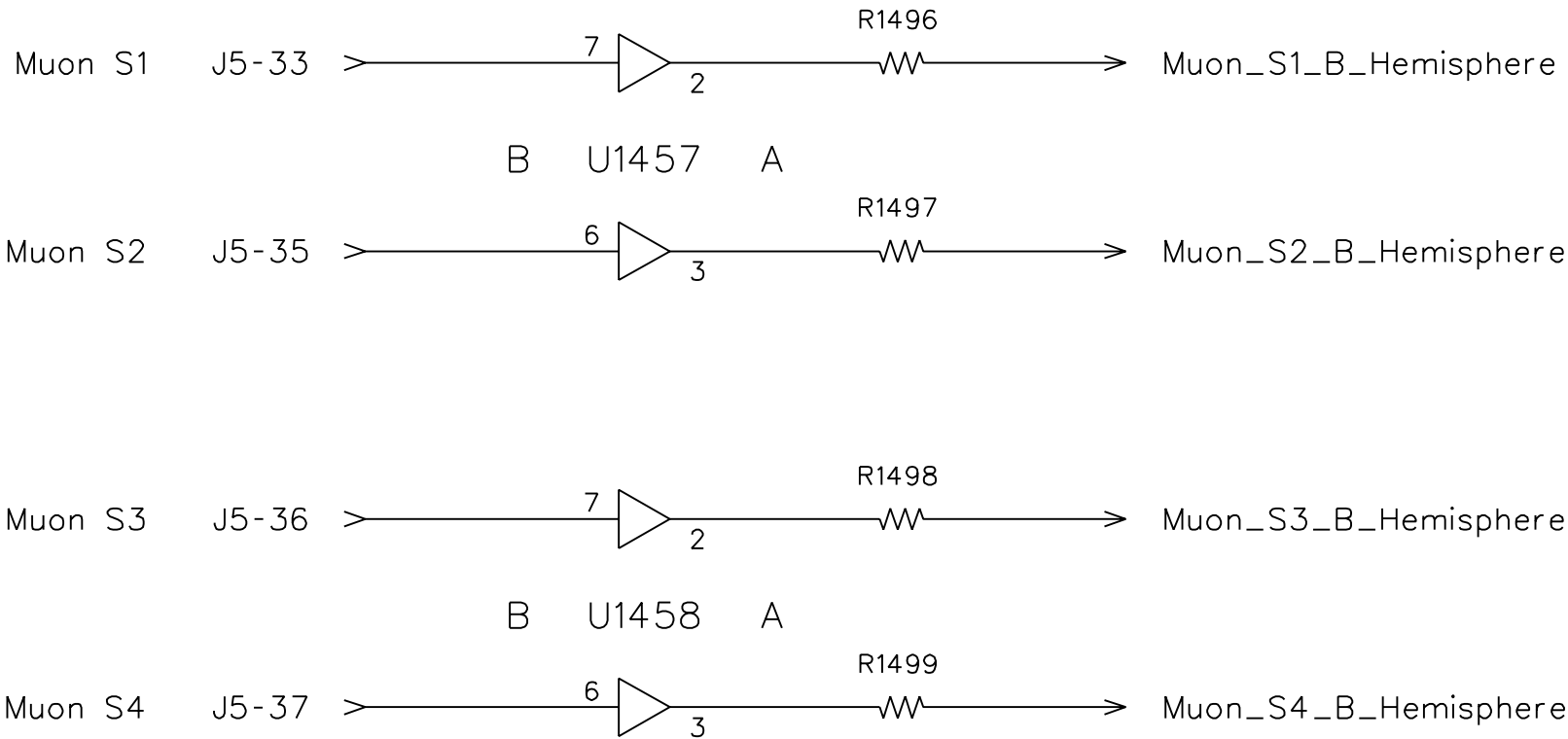


# Interposer Connection Details Page 3

Interposer "B"  
 Muon Scintillator  
 Signals 3.3 Volt

DK FPGA/CPU  
 Signals 1.8 Volt



U1457 & U1458  
 VccA 1V8  
 VccB 3V3

U1457 & U1458  
 74AVCH2T45