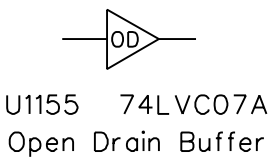
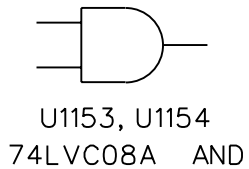
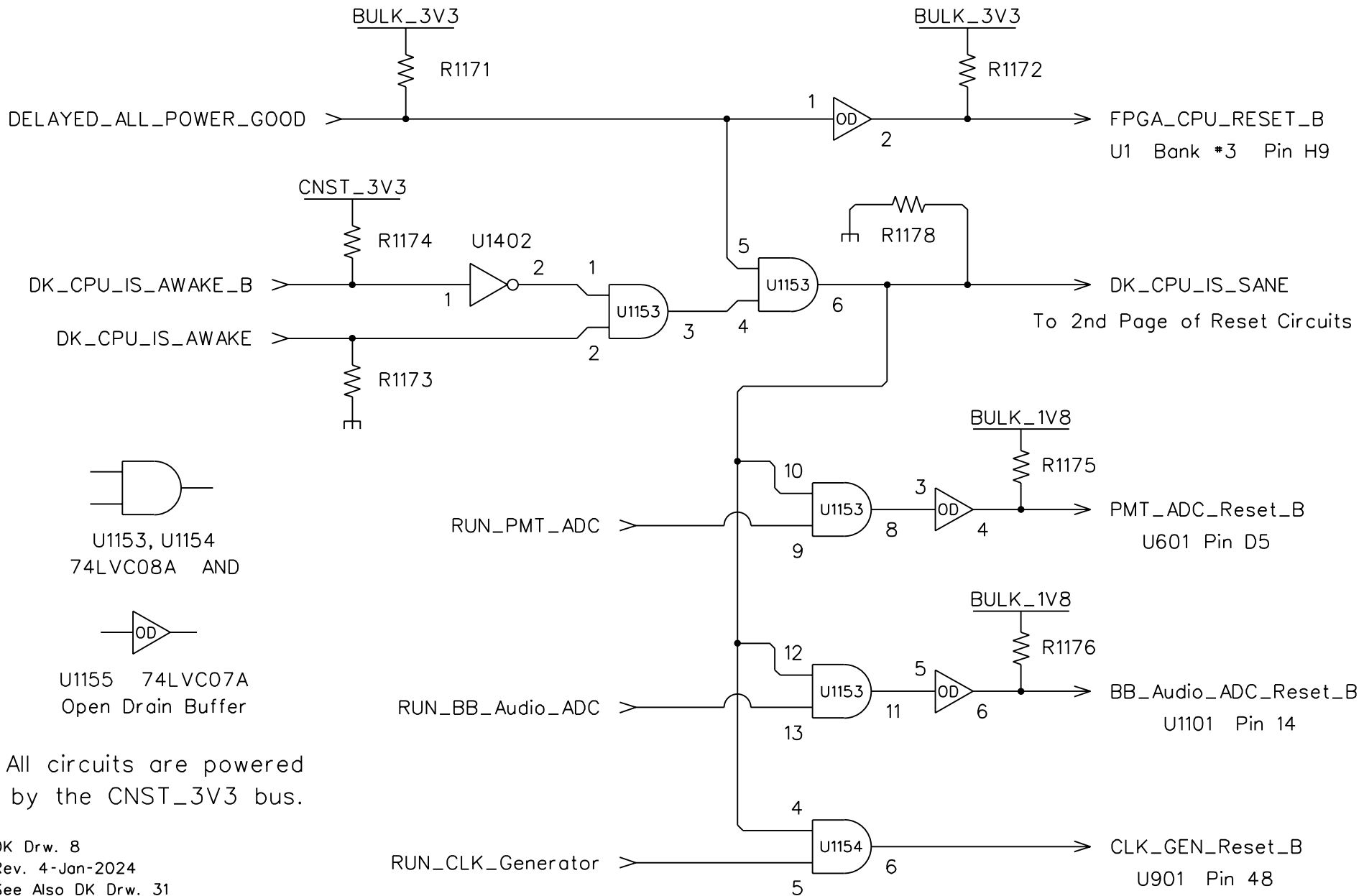


DK Board Reset Circuits Page 1



All circuits are powered by the CNST_3V3 bus.