

File: PMT_fingers.kicad_sch

File: flasher_fingers.kicad_sch

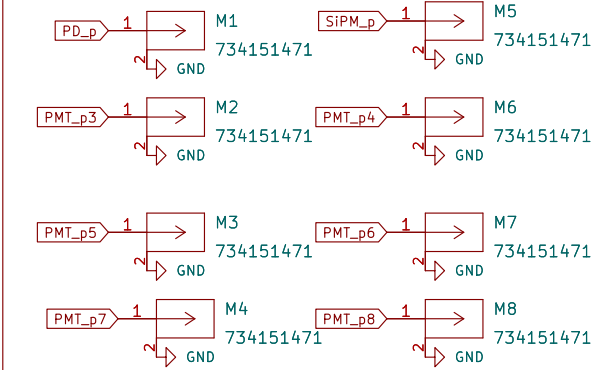
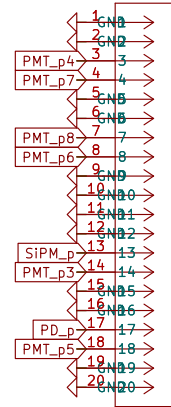
File: Flasher_HV.kicad_sch

File: SIPM.kicad_sch

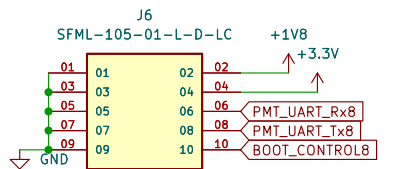
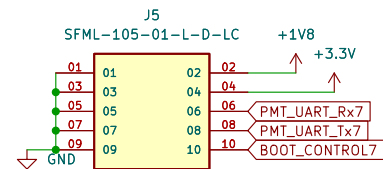
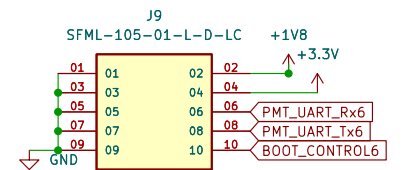
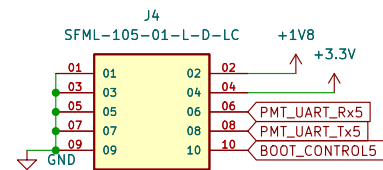
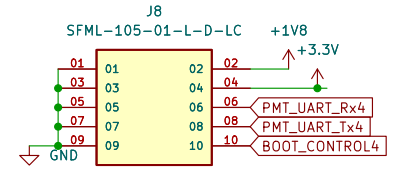
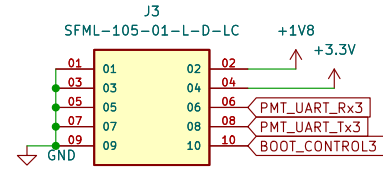
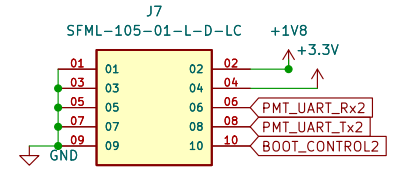
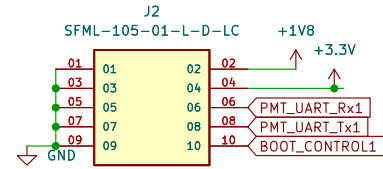
File: Scintillator_sch.kicad_sch

Sheet: /		Date:	
File: interposer_proto_v1.kicad_sch			
Title:			
Size: A4	Date:		Rev:
KiCad E.D.A. kicad (6.0.9)			Id: 1/6

50R-JMDSS-G-1-TFSLFSN



J1



Sheet: /PMT_fingers/
File: PMT_fingers.kicad_sch

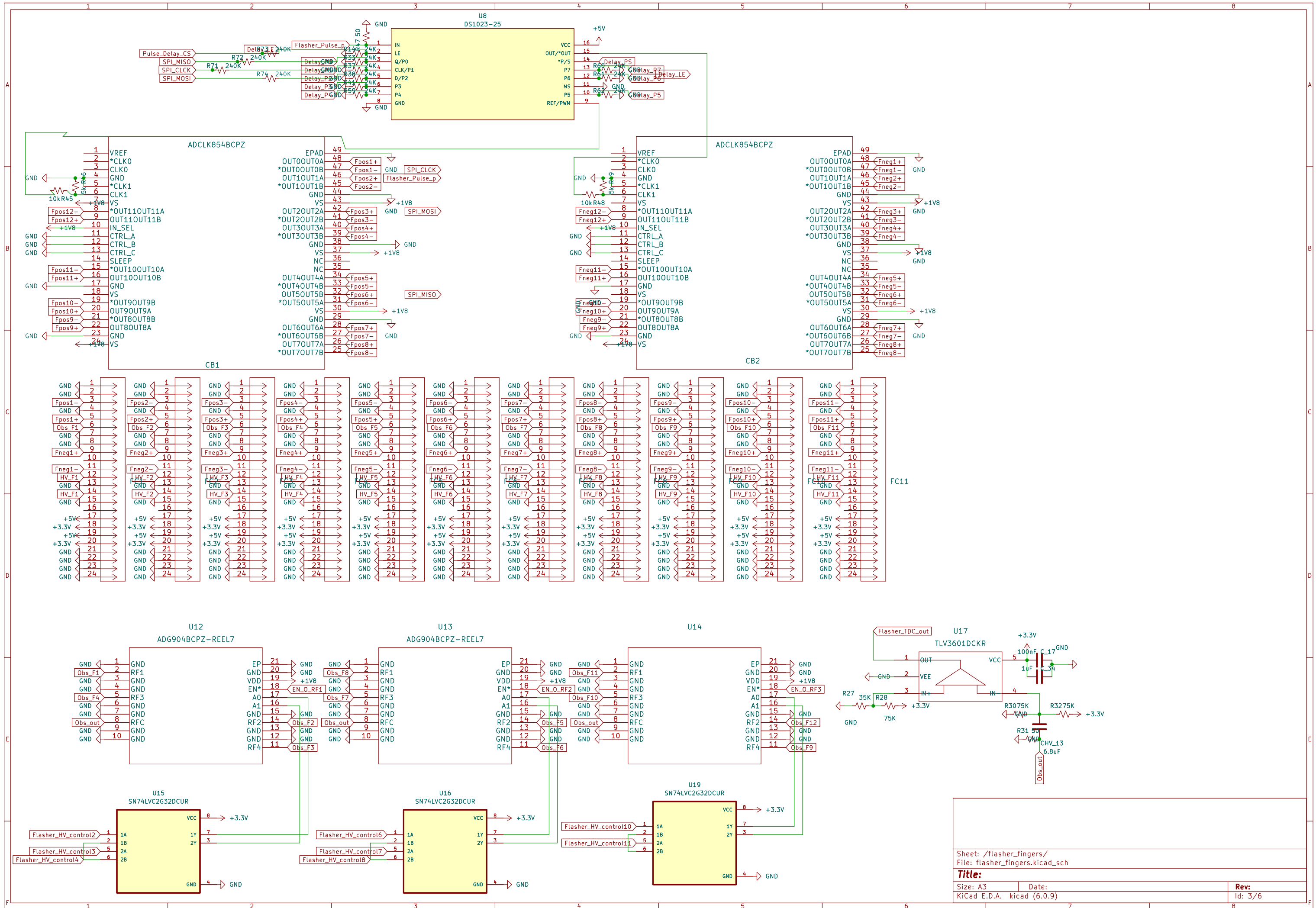
Title:

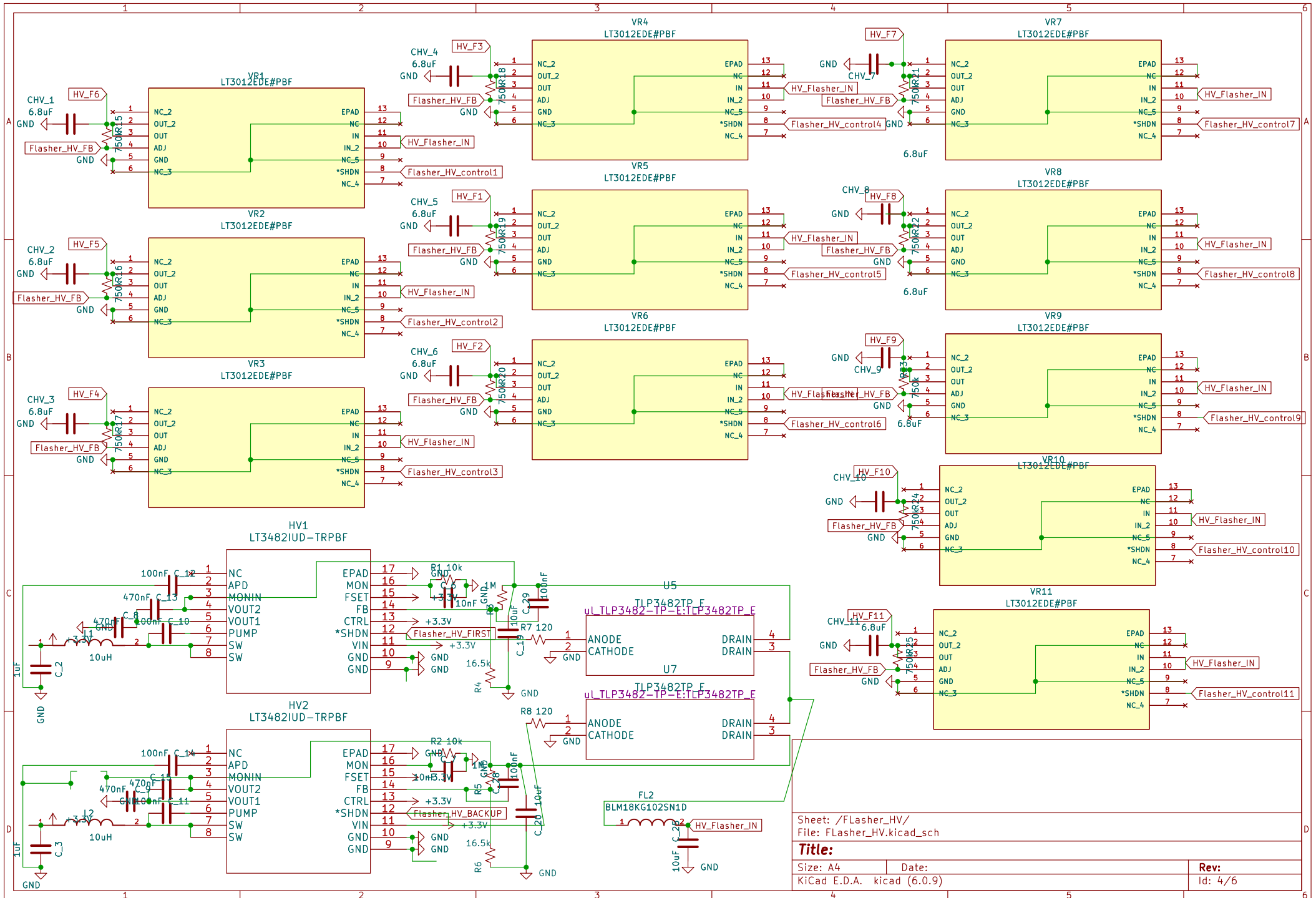
Size: A4
KiCad E.D.A. kicad (6.0.9)

Date:

Rev:

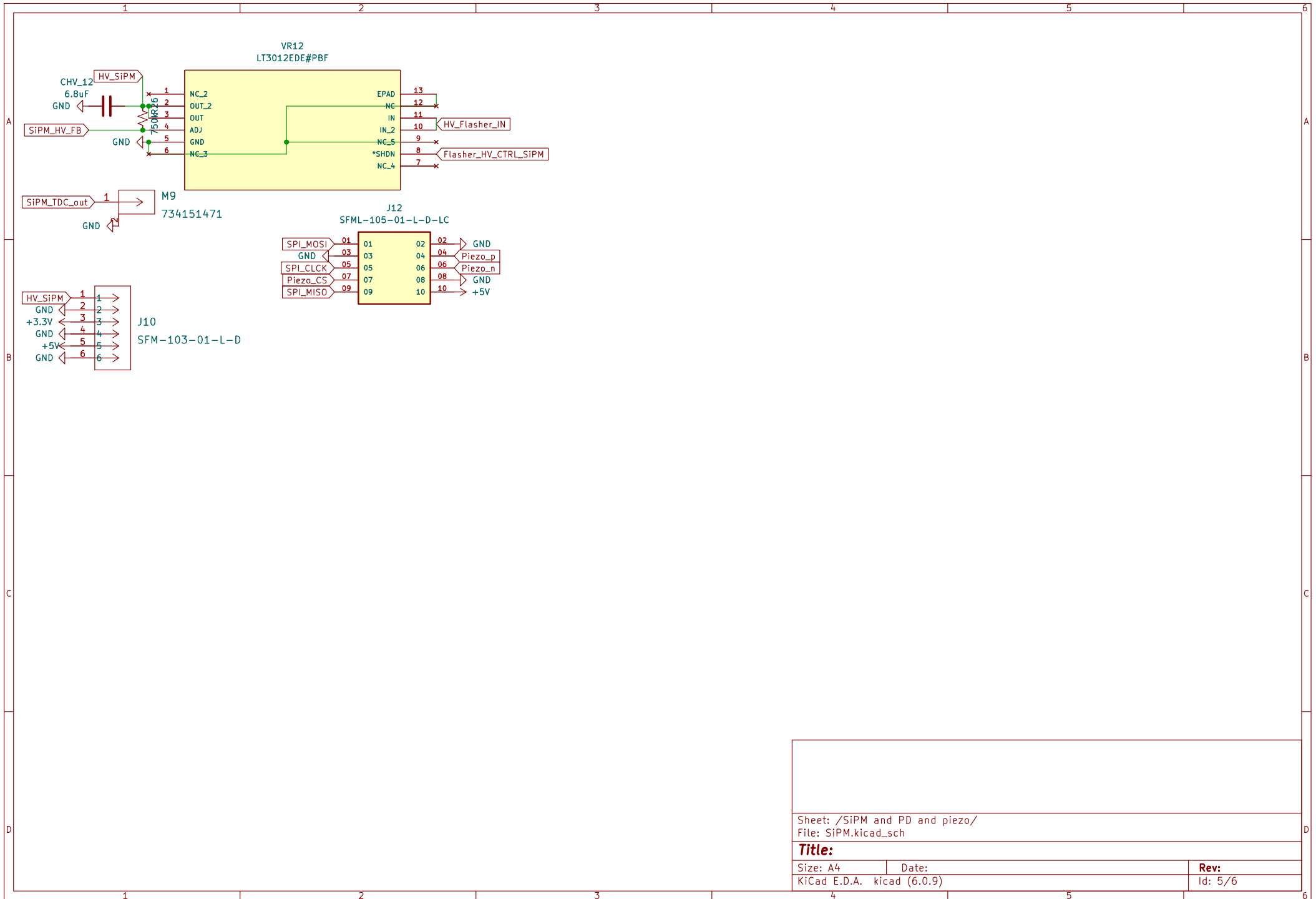
Id: 2/6



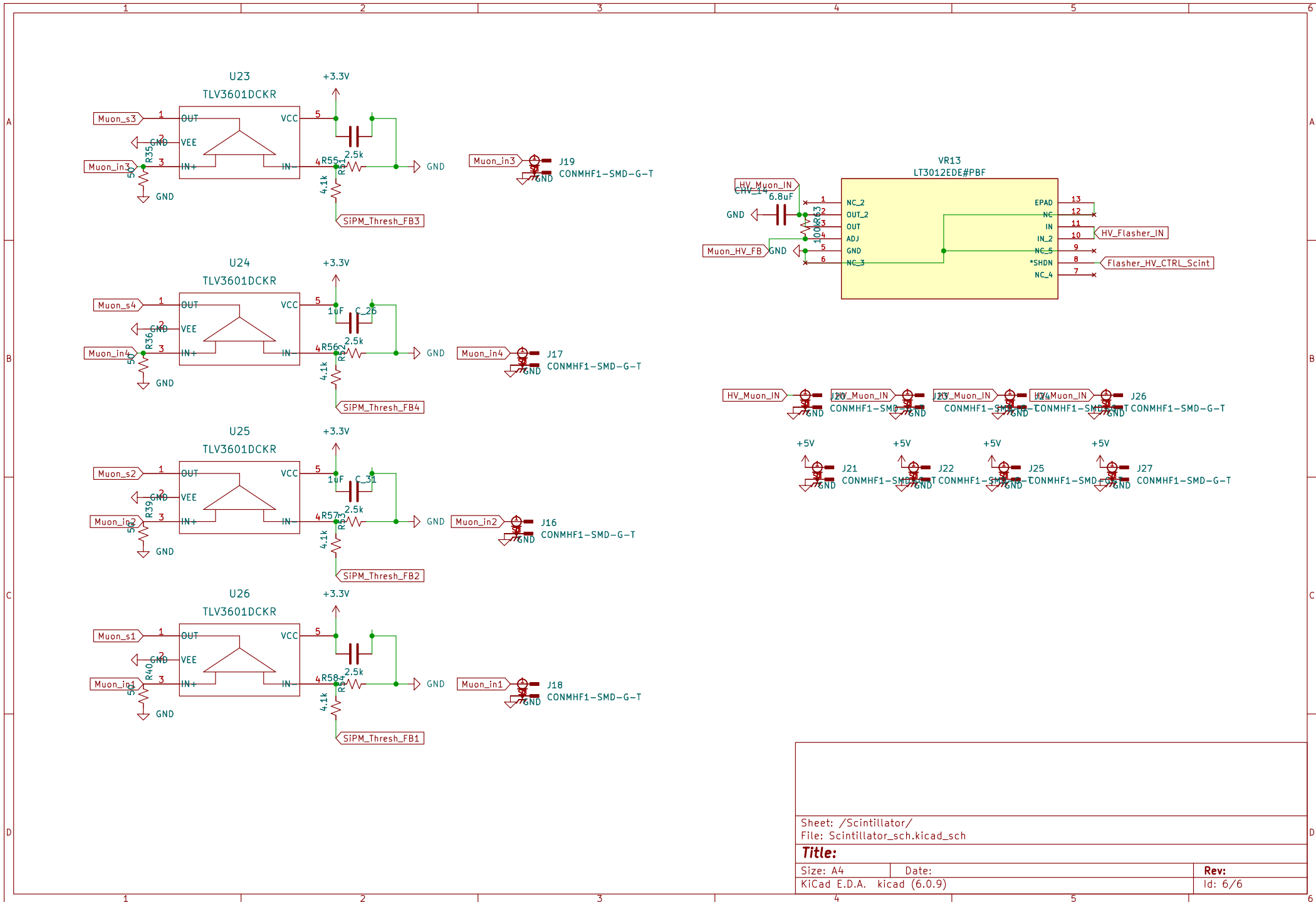


Sheet: /Flasher_HV/
 File: Flasher_HV.kicad_sch

Title:		Rev:	
Size: A4	Date:		
KiCad E.D.A. kicad (6.0.9)		Id: 4/6	



Sheet: /SiPM and PD and piezo/		Date:	
File: SiPM.kicad_sch		Rev:	
Size: A4	KiCad E.D.A. kicad (6.0.9)		Id: 5/6



Sheet: /Scintillator/
 File: Scintillator_sch.kicad_sch

Title:		Rev:	
Size: A4	Date:		
KiCad E.D.A. kicad (6.0.9)		Id: 6/6	