

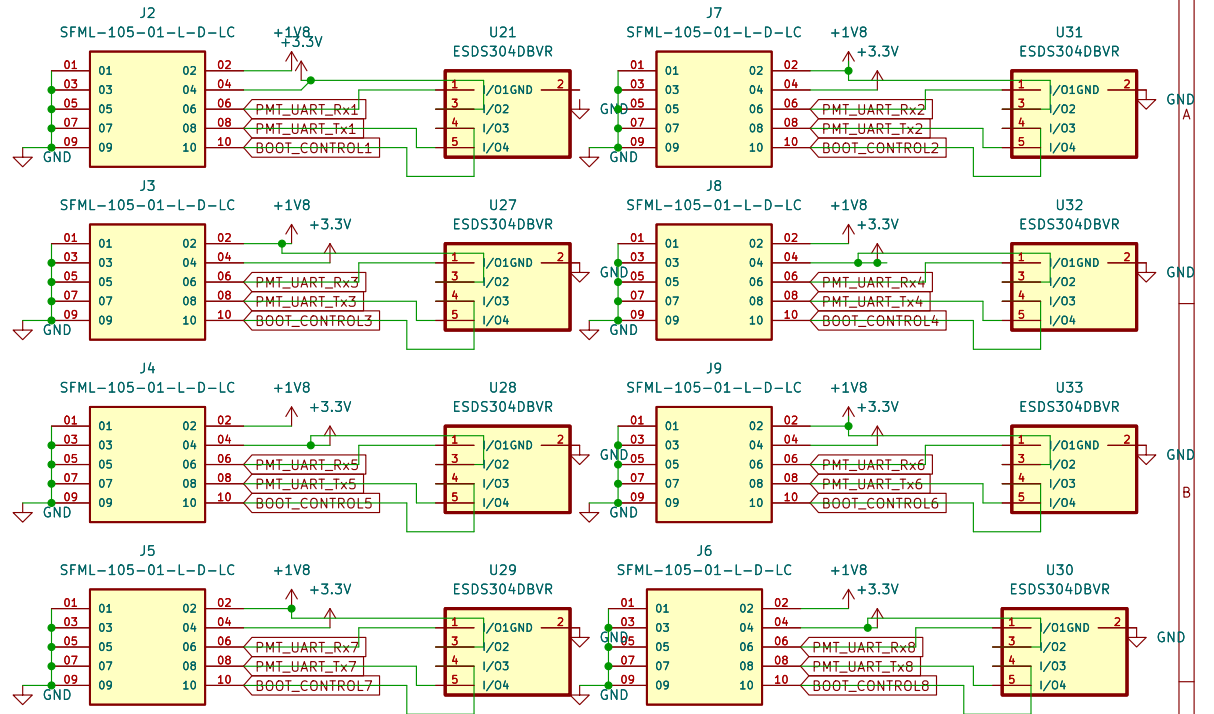
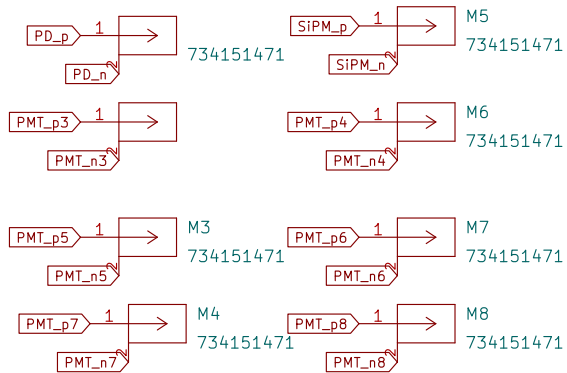
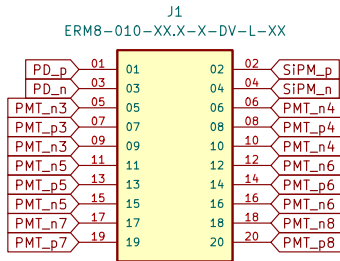
File: PMT\_fingers.kicad\_sch

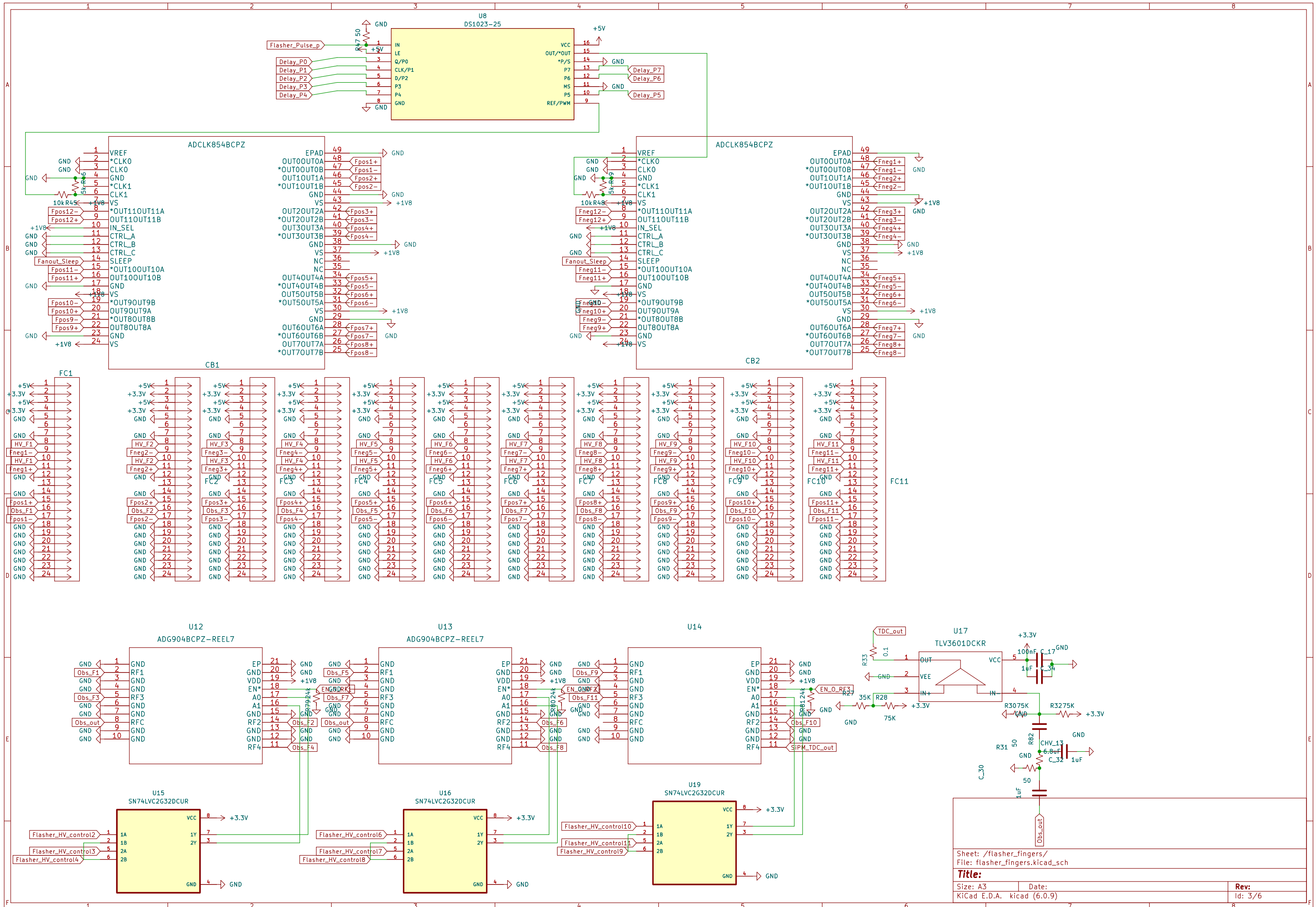
File: flasher\_fingers.kicad\_sch

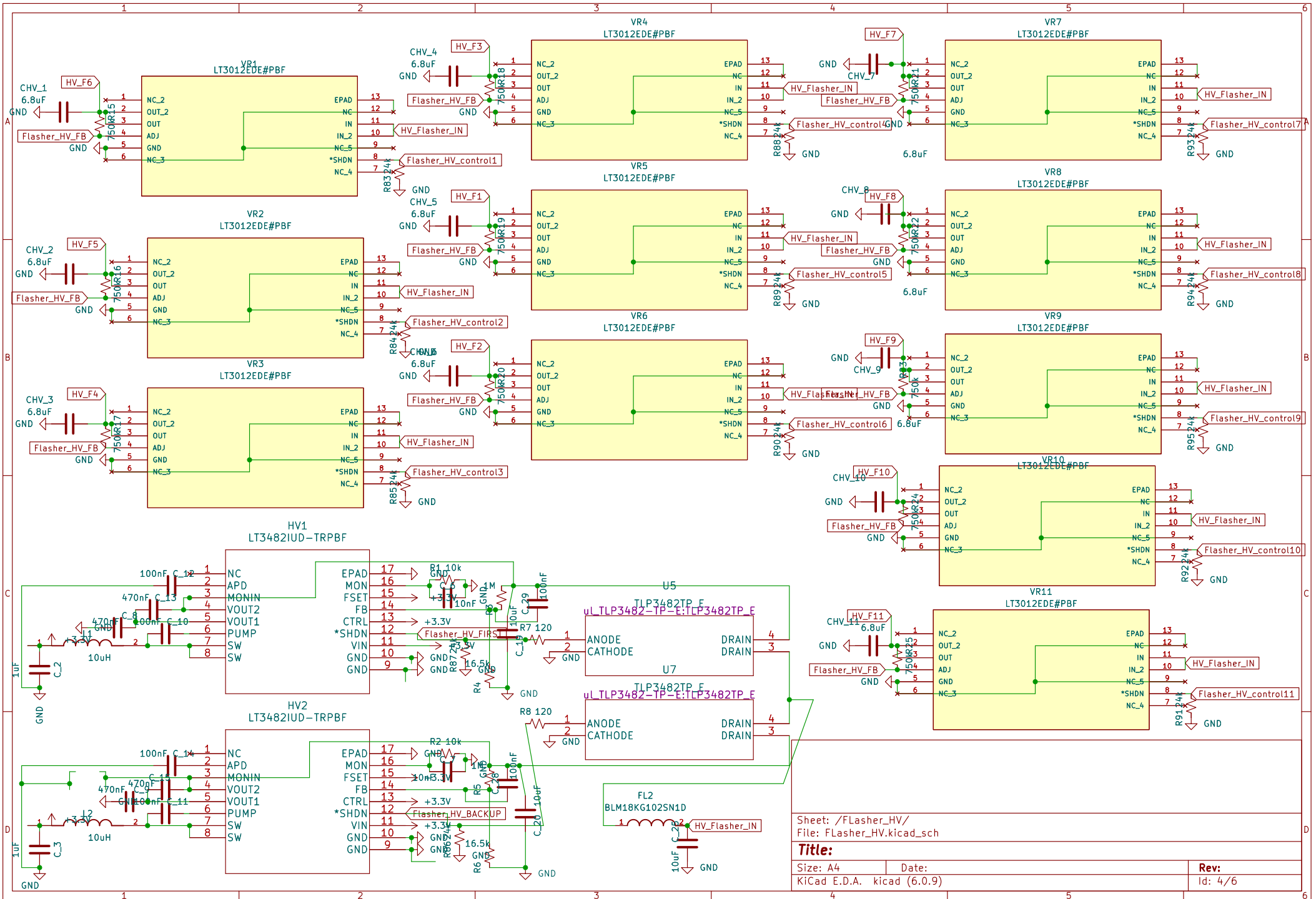
File: Flasher\_HV.kicad\_sch

File: SiPM.kicad\_sch

File: Scintillator\_sch.kicad\_sch

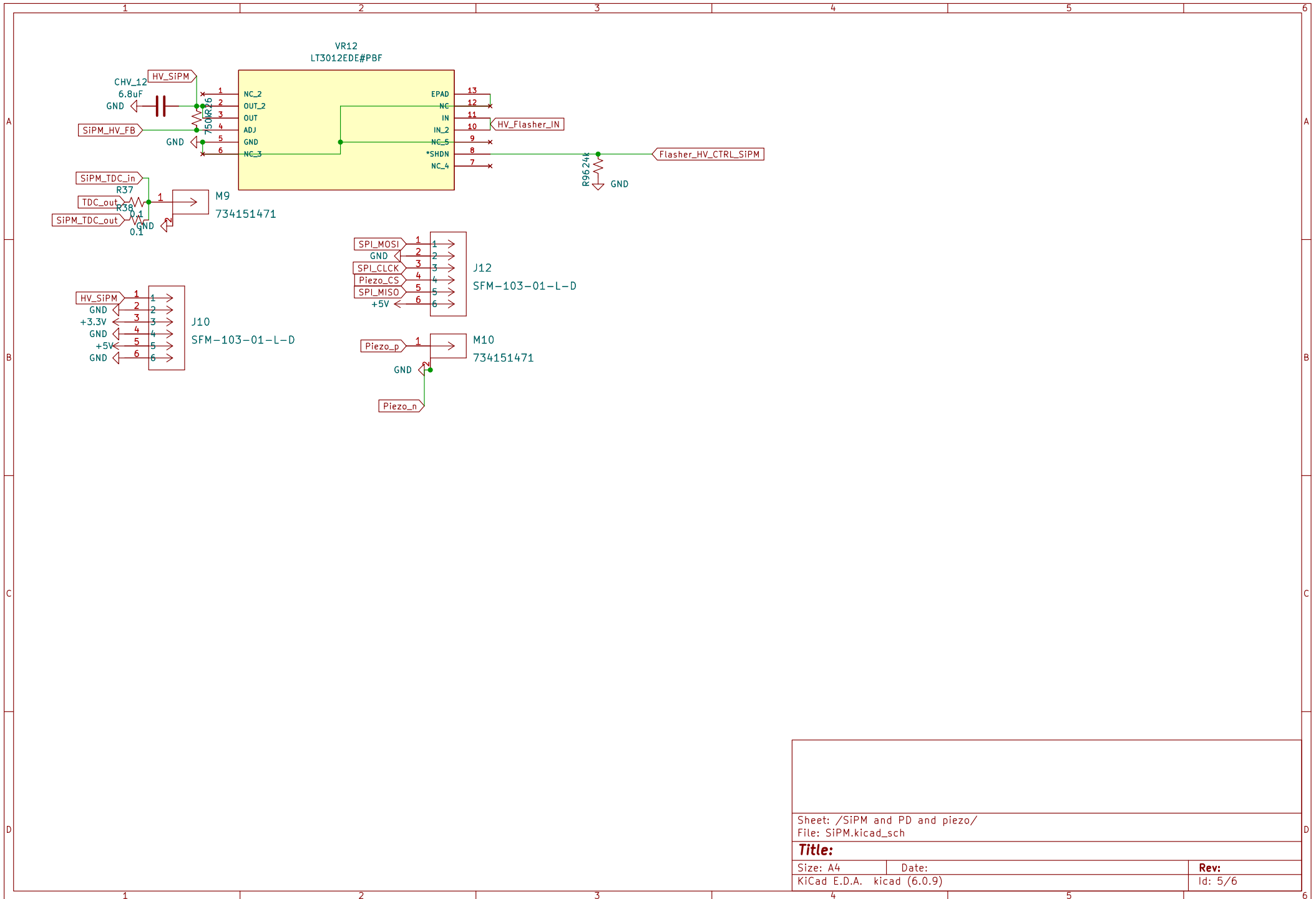






Sheet: /Flasher\_HV/  
 File: Flasher\_HV.kicad\_sch

<b>Title:</b>	
Size: A4	Date:
KiCad E.D.A. kicad (6.0.9)	Rev:
	Id: 4/6

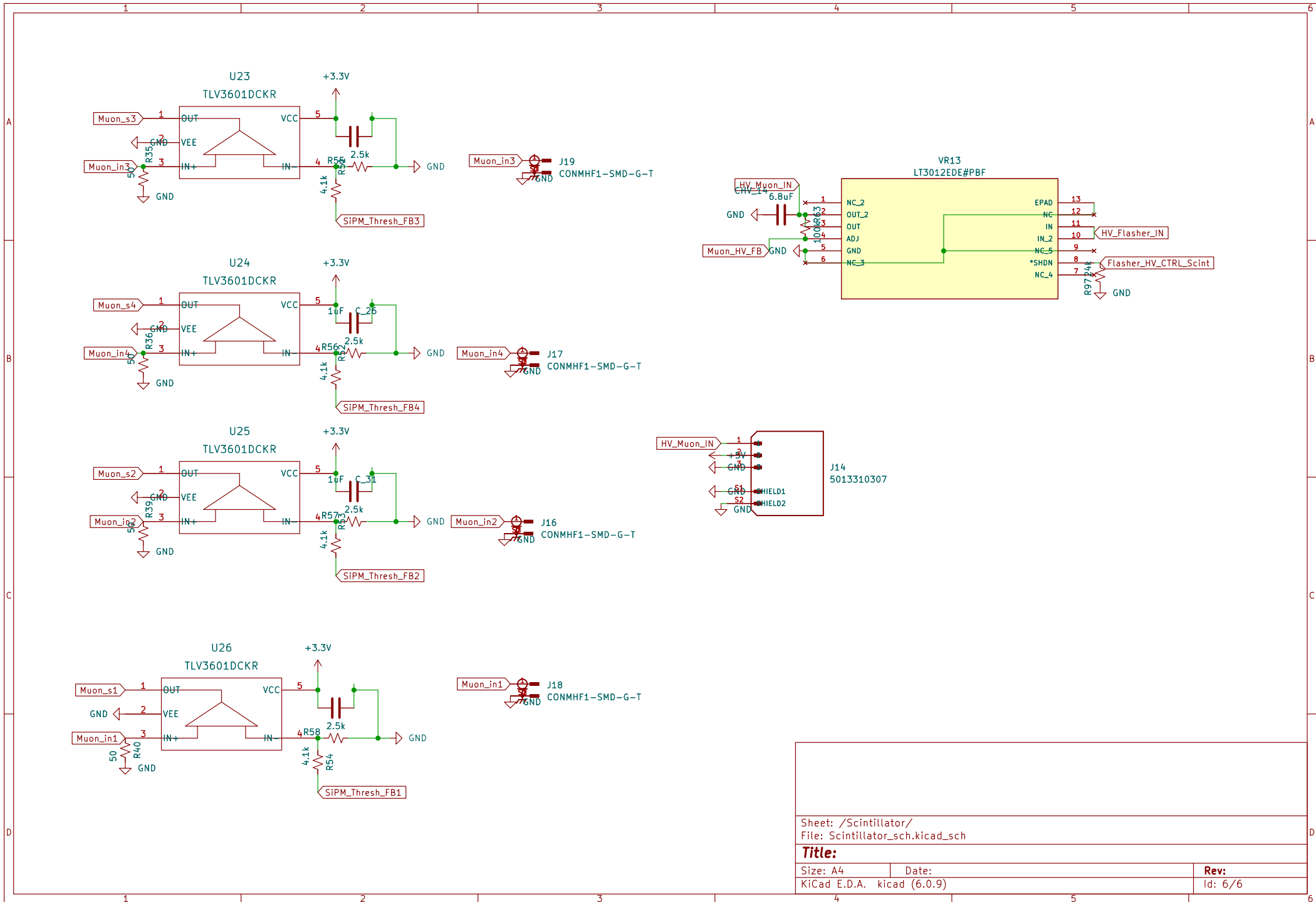


Sheet: /SiPM and PD and piezo/  
 File: SiPM.kicad\_sch

**Title:**

Size: A4 Date:  
 KiCad E.D.A. kicad (6.0.9)

Rev:  
 Id: 5/6



Sheet: /Scintillator/  
File: Scintillator\_sch.kicad\_sch

<b>Title:</b>	
Size: A4	Date:
KiCad E.D.A. kicad (6.0.9)	Rev: Id: 6/6