

FIG 1
-030 POSITION SHOWN

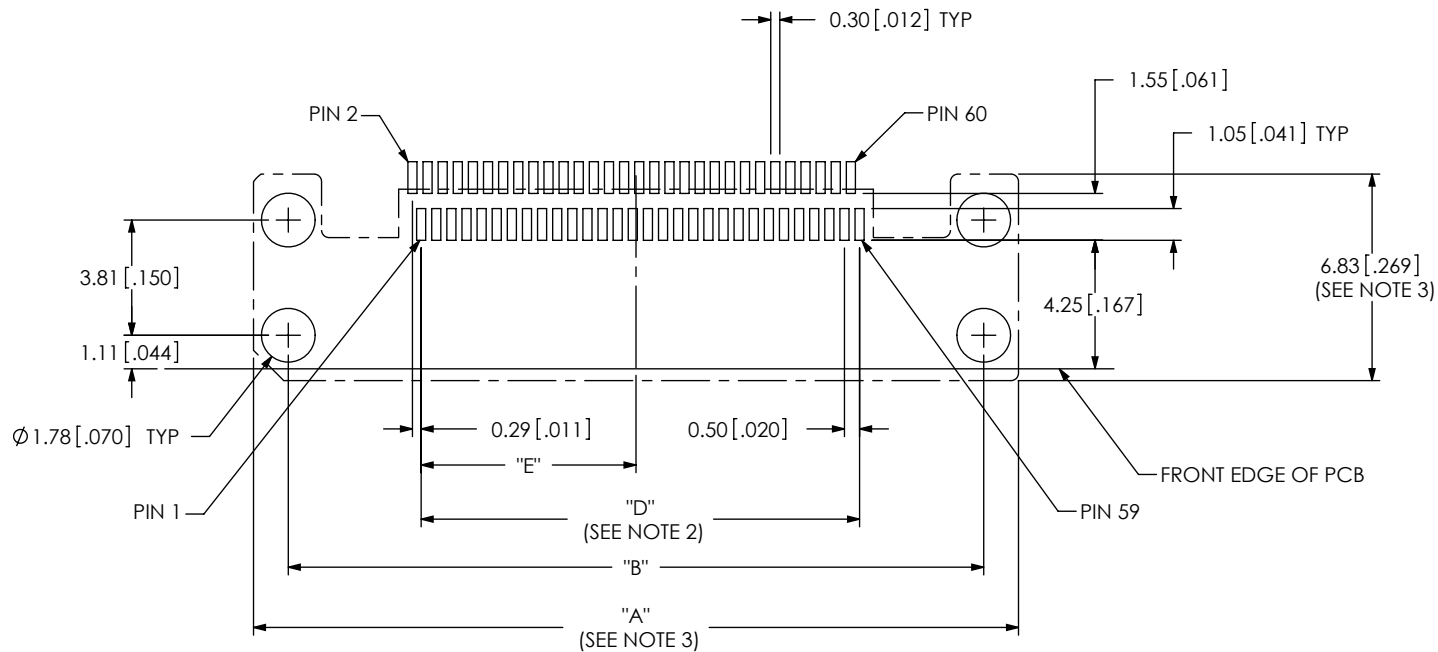
TABLE 1						
POSITION	"A"	"B"	"C"	"D"	"E"	"B"
-010	15.30 [0.602]	13.00 [0.512]	8.00 [0.315]	4.50 [0.177]	2.11	[0.083]
-020	20.30 [0.799]	18.00 [0.709]	13.00 [0.512]	9.50 [0.374]	4.61	[0.181]
-030	25.30 [0.996]	23.00 [0.906]	18.00 [0.709]	14.50 [0.571]	7.11	[0.279]
-040	30.30 [1.193]	28.00 [1.102]	23.00 [0.906]	19.50 [0.768]	9.61	[0.378]
-050	35.30 [1.390]	33.00 [1.299]	28.00 [1.102]	24.50 [0.965]	12.11	[0.477]

- NOTES:
 1. ALL DIMENSIONS ARE SYMMETRIC ABOUT THE CENTERLINE, EXCEPT AS SHOWN.
 2. SIGNAL PADS NOT SYMMETRIC.
 3. CONNECTOR ENVELOPE DIMENSIONS. OTHER COMPONENTS PLACED ON PCB SHALL AVOID THIS ZONE.

PROPRIETARY NOTE
 THIS DOCUMENT CONTAINS INFORMATION CONFIDENTIAL AND PROPRIETARY TO SAMTEC, INC. AND SHALL NOT BE REPRODUCED OR TRANSFERRED TO OTHER DOCUMENTS OR DISCLOSED TO OTHERS OR USED FOR ANY PURPOSE OTHER THAN THAT WHICH IT WAS OBTAINED WITHOUT THE EXPRESSED WRITTEN CONSENT OF SAMTEC, INC.

samtec
 520 PARK EAST BLVD, NEW ALBANY, IN 47150
 PHONE: 812-944-6733 FAX: 812-948-5047
 e-Mail: info@SAMTEC.com code: 55322

NOTE:
1. STENCIL TO BE 0.15[.006] THICK



PROPRIETARY NOTE
THIS DOCUMENT CONTAINS INFORMATION CONFIDENTIAL AND PROPRIETARY TO SAMTEC, INC. AND SHALL NOT BE REPRODUCED OR TRANSFERRED TO OTHER DOCUMENTS OR DISCLOSED TO OTHERS OR USED FOR ANY PURPOSE OTHER THAN THAT WHICH IT WAS OBTAINED WITHOUT THE EXPRESSED WRITTEN CONSENT OF SAMTEC, INC.



520 PARK EAST BLVD, NEW ALBANY, IN 47150
PHONE: 812-944-6733 FAX: 812-948-5047
e-Mail: info@SAMTEC.com code: 55322