



---

---

# PolarFire<sup>®</sup> SoC FPGA Board Design Guidelines

---

---

## Introduction

---

Good board design practices are required to achieve expected performance from both PCBs and PolarFire<sup>®</sup> SoC devices. High-quality and reliable results depend on minimizing noise levels, preserving signal integrity, meeting impedance and power requirements, and using appropriate transceiver protocols. These guidelines must be treated as a supplement to the standard board-level design practices.

This document is intended for readers who are familiar with the PolarFire SoC device, experienced in digital board design, and know about the electrical characteristics of systems. It discusses power supplies, high-speed interfaces, various control interfaces, and the associated peripheral components of PolarFire SoC FPGAs.

---

---

# Table of Contents

---

Introduction.....	1
1. Designing the Board.....	3
1.1. Power Supplies.....	3
1.2. I/O Glitch.....	9
1.3. User I/O.....	10
1.4. MSS I/Os.....	12
1.5. Clocks.....	13
1.6. Reset.....	14
1.7. DDR.....	14
1.8. Device Programming.....	14
1.9. Special Pins.....	17
1.10. Transceiver.....	17
1.11. MIPI Hardware Design Guidelines.....	18
1.12. AC and DC Coupling.....	19
1.13. Brownout Detection.....	19
2. Board Design Checklist.....	20
2.1. Prerequisites.....	20
2.2. Design Checklist.....	20
2.3. Layout Checklist.....	22
3. Appendix: General Layout Design Practices.....	23
3.1. MIPI.....	23
3.2. Transceiver.....	23
4. Revision History.....	28
Microchip FPGA Support.....	29
The Microchip Website.....	29
Product Change Notification Service.....	29
Customer Support.....	29
Microchip Devices Code Protection Feature.....	29
Legal Notice.....	30
Trademarks.....	30
Quality Management System.....	31
Worldwide Sales and Service.....	32

# 1. Designing the Board

The PolarFire SoC family offers the industry's first RISC-V based SoC FPGAs. The PolarFire SoC family combines a powerful 64-bit 5x core RISC-V Microprocessor Subsystem (MSS) with the FPGA fabric in a single device. Packed with this powerful combination, PolarFire SoC devices offer the scalable features of FPGAs and high-performance of ASICs like DDR3/DDR4, 12.7G Transceiver, PCIe Gen2 and HSIO/GPIO, and a highly configurable MSS.

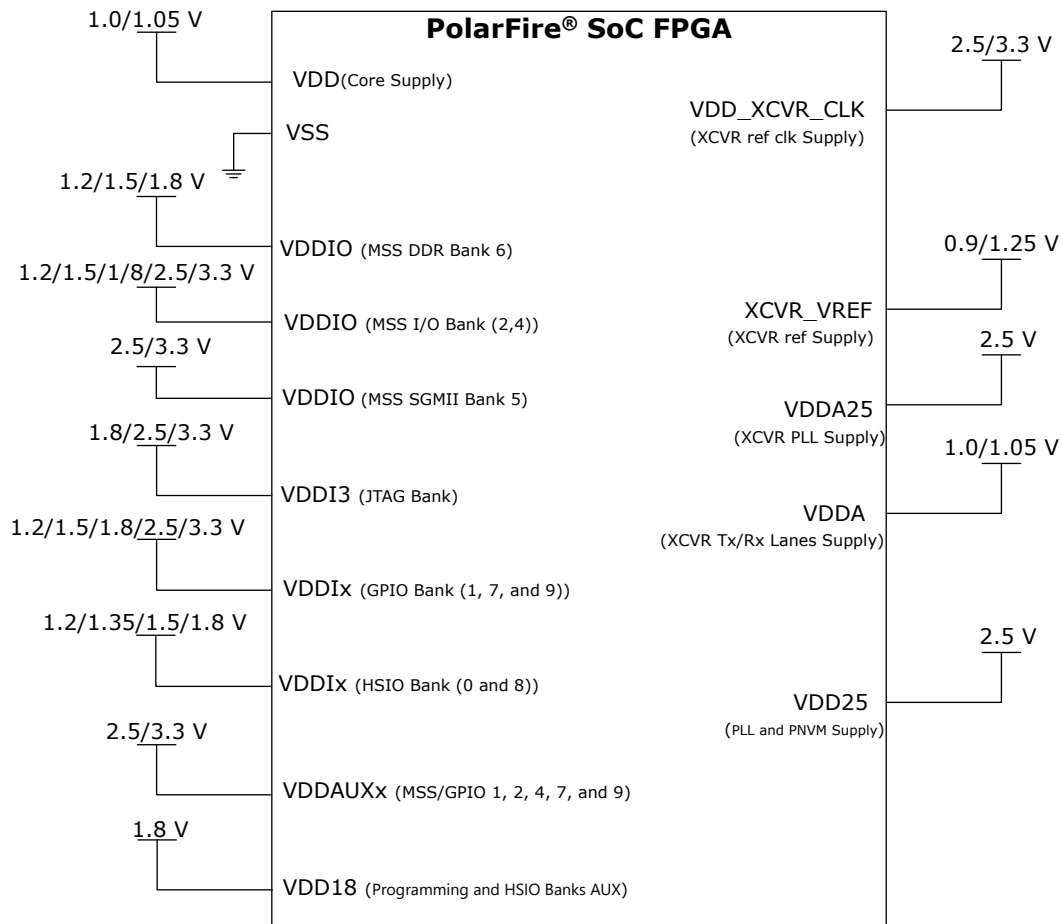
Subsequent sections discuss the following:

- [Power Supplies](#)
- [I/O Glitch](#)
- [User I/O](#)
- [Clocks](#)
- [Reset](#)
- [DDR](#)
- [Device Programming](#)
- [Special Pins](#)
- [Transceiver](#)
- [AC and DC Coupling](#)
- [Brownout Detection](#)

## 1.1 Power Supplies

The following illustration shows the typical power supply requirements for PolarFire SoC devices, and the recommended connections of power rails when every part of the device is used in a system. For more information on decoupling capacitors associated with individual power supplies, see [1.1.1 PolarFire SoC Decoupling Capacitors](#).

**Figure 1-1. Power Supplies**



For the PolarFire SoC device to operate successfully, power supplies must be free from unregulated spikes and the associated grounds must be free from noise. All overshoots and undershoots must be within the absolute maximum ratings provided in the [PolarFire SoC FPGA Advance Datasheet](#).

The following table lists the various power supplies required for PolarFire SoC FPGAs.

**Table 1-1. Supply Pins**

Name	Description
XCVR_VREF	Voltage reference for transceivers
VDD_XCVR_CLK	Power to input buffers for the transceiver reference clock
VDDA25	Power to the transceiver PLL
VDDA <sup>1</sup>	Power to the transceiver TX and RX lanes
VSS	Core digital ground
VDD <sup>2</sup>	Device core digital supply
VDDI3 (JTAG Bank)	Power to JTAG bank pins
VDDI5	VDDI5 power to MSS SGMII banks
VDDI2	VDDI2 power to MSS peripheral banks
VDDI4	Power to MSS peripheral banks

.....continued

Name	Description
VDDI6	Power to MSS DDR banks
VDDIx (GPIO Banks)	Power to GPIO bank pins
VDDIx (HSIO Banks)	Power to HSIO bank pins
VDD25	Power to corner PLLs and PNVM
VDD18	Power to programming and HSIO auxiliary supply
VDDAUXx	Power to GPIO auxiliary supply

**Note:**

1. VDDA—This supply can be powered to 1.0V or 1.05V. For more information, see “Recommended Operating Conditions” in [PolarFire SoC FPGA Advance Datasheet](#). This is a quiet supply for the device. One method would be to use a Linear regulator to ensure the supply is quiet.

2. VDD—This supply can be powered to 1.0V or 1.05V. For more information, see “Recommended Operating Conditions” in [PolarFire SoC FPGA Advance Datasheet](#).

- VREFx—is the reference voltage for DDR3 and DDR4 signals. VREF voltages can be generated internally and externally.
  - Internal VREF—is not subjected to PCB, package inductance, and capacitance loss. These changes provide the highest performance and can be programmed as required by DDR controller.
  - External VREF—is fixed and cannot be programmed as required. The PCB, package inductance, and capacitance impact the VREF performance.

If VDDI and VDDAUX need to be configured to the same voltage (2.5V or 3.3V), ensure both VDDI and VDDAUX are supplied from the same regulator. Do not use different regulators to source these rails. This prevents any voltage variations between VDDI and VDDAUX. In this case, the board must not supply the VDDI and VDDAUX from individual voltage supplies.

When a GPIO bank requires the VDDI to be less than 2.5V (1.2V, 1.5V, or 1.8V), the VDDAUX for that bank must be tied to 2.5V supply irrespective of the VDDI supply. The VDDI requires a separate supply for the specific I/O type (1.5V or 1.8V).

**Note:** The on-chip Power-on Reset circuitry requires the VDD, VDD18, and VDD25 supplies to ramp monotonically from 0V to the minimum recommended operating voltage.

For a detailed pin description, see [PolarFire SoC FPGA Packaging and Pin Descriptions User Guide](#).

### 1.1.1 PolarFire SoC Decoupling Capacitors

The following table lists the requirement of all decoupling capacitors for the MPFS250TS - FCG1152 and MPFS250TS - FCGV484 devices.

**Table 1-2. Power-Supply Decoupling Capacitors<sup>1</sup>—MPFS250TS - FCG1152 (1 mm)**

Pin Name	Ceramic	Tantalum								
	1 nF	4.7nF	10 nF	22nF	47 nF	0.1 μF	1 μF	10 μF	47 μF	330 μF
VDD	—	—	5	2	2	1	1	—	1	2
VDD18	—	—	1	—	—	1	—	—	2	—
VDDA	—	3	1	—	—	6	—	—	2	—
VDDA25	2	—	—	—	—	2	—	—	1	—
VDD25	1	—	2	—	—	2	—	—	1	—

.....continued

Pin Name	Ceramic	Tantalum								
	1 nF	4.7nF	10 nF	22nF	47 nF	0.1 μF	1 μF	10 μF	47 μF	330 μF
VDDAUX(GPIO)	—	1	1	—	—	1	—	—	1	—
GPIO Bank	1	—	—	—	—	—	—	—	1	—
HSIO Bank	—	—	—	—	—	2	—	—	1	—
VDDSREF	—	—	—	—	—	2	—	1	—	—
SERDES_VREF	—	—	—	—	—	2	—	—	—	—
Bank 3 JTAG	—	—	—	—	—	2	—	1	—	—
Bank 2	—	—	—	—	—	2	—	1	—	—
Bank 4	—	—	—	—	—	2	—	1	—	—
Bank 5	—	—	—	—	—	2	—	1	—	—
Bank 6 MSS DDR	—	—	1	—	—	1	—	—	1	—

**Note:** 1. The guidelines are provided on how to effectively decouple only the PolarFire SoC device. If the power source is placed on a different PCB or delivered through interconnects (flex cables or connectors), ensure an effective power delivery to the PolarFire SoC device. Follow the recommended operational conditions as per [PolarFire SoC FPGA Advance Datasheet](#).

**Table 1-3. Power-Supply Decoupling Capacitors<sup>1</sup>—MPFS250TS - FCVG484 (0.8 mm)**

Pin Name	Ceramic	Tantalum									
	1 nF	3.3 nF	2.2 nF	4.7 nF	10 nF	47 nF	0.1 μF	1 μF	10 μF	47 μF	330 μF
VDD	—	—	—	—	—	3	3	3	—	1	2
VDD18	—	—	—	1	1	—	1	—	—	2	—
VDDA	—	—	2	—	2	—	1	—	—	2	—
VDDA25	1	—	—	—	—	—	1	—	—	1	—
VDD25	1	—	—	—	2	—	2	—	—	1	—
VDDAUX(GPIO)	—	—	—	1	1	—	1	—	—	1	—
GPIO Bank	1	—	—	1	—	—	1	—	—	1	—
HSIO Bank	1	—	—	1	—	—	1	—	—	1	—
VDDSREF	—	—	—	—	—	—	2	—	1	—	—
SERDES_VREF	—	—	—	—	—	—	2	—	—	—	—
Bank 3 JTAG	—	—	—	—	—	—	2	—	1	—	—
Bank 2	—	—	—	—	—	—	2	—	1	—	—
Bank 4	—	—	—	—	—	—	2	—	1	—	—
Bank 5	—	—	—	—	—	—	2	—	1	—	—

.....continued

Pin Name	Ceramic	Tantalum									
	1 nF	3.3 nF	2.2 nF	4.7 nF	10 nF	47 nF	0.1 μF	1 μF	10 μF	47 μF	330 μF
Bank 6 MSS DDR	1	1	—	1	1	—	1	—	—	1	—

**Note:** 1. The guidelines are provided on how to effectively decouple only the PolarFire SoC device. If the power source is placed on a different PCB or delivered through interconnects (flex cables or connectors), ensure an effective power delivery to the PolarFire SoC device. Follow the recommended operational conditions as per [PolarFire SoC FPGA Advance Datasheet](#).

Decoupling capacitors other than those listed in the preceding tables can be used, if the physical sizes of capacitors meet or exceed the performance of the network given in this example. Substitution would require analyzing the resulting power distribution system's impedance versus frequency to ensure that no resonant impedance spikes the result. See [Figure 1-1](#) for power supply design.

For more information about the internal package capacitance for power supplies associated with PolarFire SoC packages, see [UG0902: PolarFire SoC FPGA Packaging and Pin Descriptions User Guide](#).

The following table lists the required decoupling capacitors for PolarFire SoC packages.

**Table 1-4. Recommended Decoupling Capacitors For PolarFire SoC Devices**

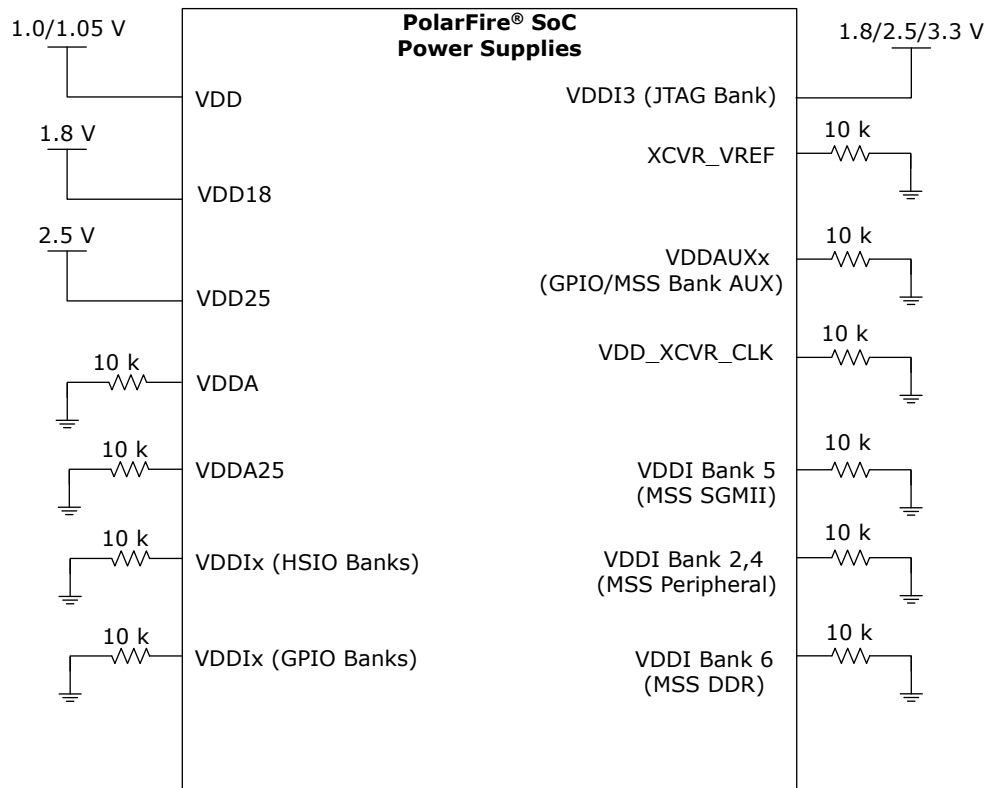
De-Cap Value	Part Number	Package	Description
1 nF	CL05B102KO5NNNC	0402	For 1 mm package
2.2 nF	GRM155R71C223KA01D	0402	For 1 mm package
10 nF	GRM155R71C103KA01D	0402	For 1 mm package
0.1 μF	GRM155R71C104KA88D	0402	For 1 mm package
10 nF	GRM15XR11C103KA86	0402	For 1 mm package
4.7 nF	GRM155R11H472KA01	0402	For 1 mm package
10 μF	GRM21BR71A106KE51	0805	Bulk Caps (for 0.5, 0.8, and 1 mm)
47 μF	GRM31CR61A476KE15	1206	Bulk Caps (for 0.5, 0.8, and 1 mm)
330 μF	T495D337K010ATE150	2917	Bulk Caps (for 0.5, 0.8, and 1 mm)
1 nF	GRM033R71C102KA01	0201	For 0.8 and 0.5 mm package
2.2 nF	GRM033R71A103KA01	0201	For 0.8 and 0.5 mm package
10 nF	GRM033R71A103KA01	0201	For 0.8 and 0.5 mm package
0.1 μF	GRM033C71C104KE14	0201	For 0.8 and 0.5 mm package

**Note:** Equivalent capacitor values can be used from a different vendor. For more information about the Packaging Decoupling Capacitors, see [UG0902: PolarFire SoC FPGA Packaging and Pin Descriptions User Guide](#).

## 1.1.2 Unused Power Supply

The following figure shows how power supplies may be configured when not in use and also to reduce leakage and power for the system.

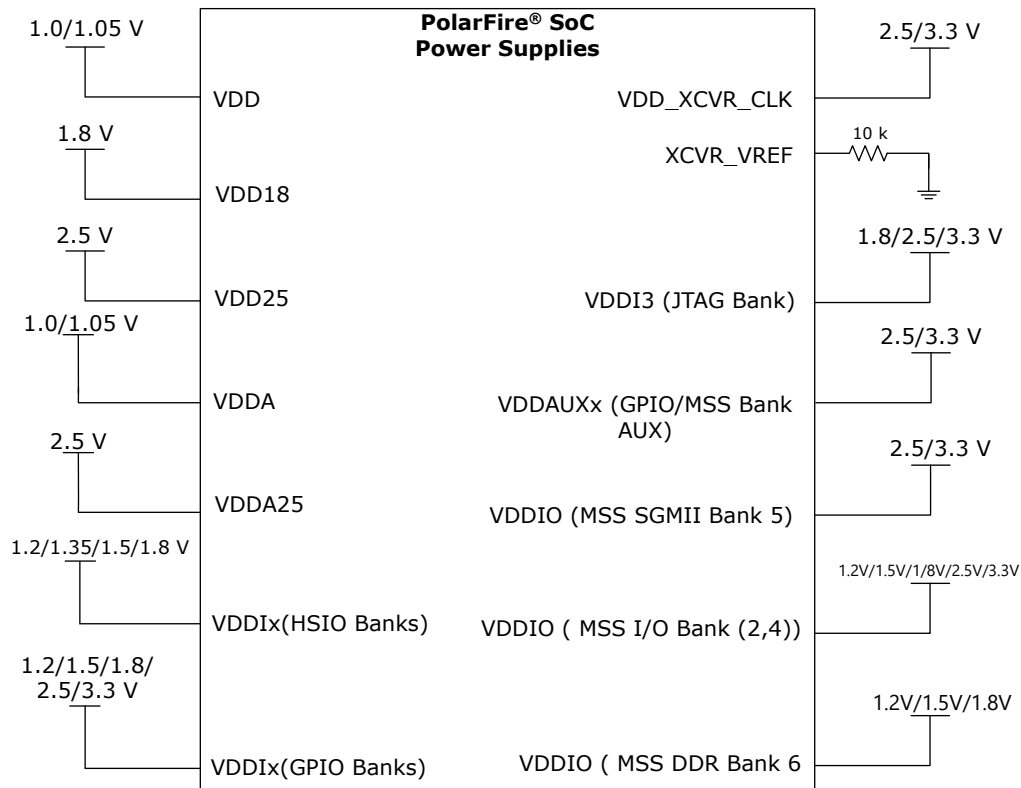
Figure 1-2. Option 1 for Unused Connections



The following figure shows the power configuration of unused supplies. This option can be used when there is an intent to power-up the various supplies at a later time in the system, and the I/Os are not being used.



**Figure 1-3. Option 2 for Unused Connections**



**Note:** To simplify the board-level routing, multiple 10 kΩ resistors can be used as required. The power supplies can also be grouped into a single 10 kΩ resistor and tied-off to VSS.

### 1.1.3 Pin Assignment Tables

[PolarFire SoC Packaging Pin Assignment Table](#) (PPAT) contains information about the recommended DDR pinouts, PCI EXPRESS capability for XCVR-0, DDR Lane information for I/O CDR, generic IOD interface pin placement, and unused condition for package pins.

## 1.2 I/O Glitch

A glitch may occur during power-up or power-down for GPIO or HSIO outputs in PolarFire SoC devices. Glitch can occur before or after the device reaches a functional state. These glitches are not observed on LVDS outputs or Transceiver I/Os. No reliability issues are caused by either of the glitch types. Following are the types of glitches that can occur.

- Parasitic glitches may occur for GPIOs or HSIOs before the device reaches functional state with a maximum glitch of 1V with a 0.4 ms width. This type of glitch can typically be ignored. It is recommended to use a 100K pull-down resistor on critical signals<sup>1</sup> of the GPIO or HSIO pins, if this type of glitch cannot be ignored. No glitches are observed once the mitigation recommendations are placed.
- Another type of glitch may occur on GPIOs and HSIOs during power-on sequencing or boot-up. This is due to a weak pull-up resistor being enabled by default on an input, output or bidirectional I/O. To mitigate this glitch, use the Libero SoC I/O Editor or PDC constraint to program a weak pull-down on the output buffer on the specified I/O.
- The last type of glitch may occur after the device reaches functional state. This type of glitch is related to the power-up and power-down sequence of VDDI and VDDAUX supplies. This occurs only on GPIOs where the VDDI is 1.5V or 1.8V only with a maximum glitch of 1V with a 0.8 ms width during power-up and a maximum

<sup>1</sup> Critical outputs such as reset or clock of the HSIO or GPIOs going into another device.

glitch of 1.8V with a 1 ms width during power-down. To mitigate the post functional state glitch, follow the recommendations as in the following table.

**Table 1-5. Power Sequencing<sup>1</sup>**

Use Cases for GPIO		Power-up Sequencing Requirement for Mitigating Glitches <sup>2</sup>	Power-down Sequencing Requirement for Mitigating Glitches <sup>2</sup>
VDDI	VDDAUX	—	—
1.2V	2.5V	No glitch occurs	No glitch occurs
1.5V	2.5V	Power-up VDDAUX before VDDI of that bank	Power-down VDDI before VDDAUX of that bank
1.8V	2.5V	Power-up VDDAUX before VDDI of that bank	Power-down VDDI before VDDAUX of that bank
2.5V	2.5V	Power VDDAUX and VDDI from the same Regulator	No glitch occurs
3.3V	3.3V	Power VDDAUX and VDDI from the same Regulator	No glitch occurs

(1) No glitches are observed after placing the mitigation recommendations.

(2) The preceding power sequence does not mitigate any parasitic glitches. As mentioned above, add a 100K pull-down resistors to critical signals of GPIO or HSIO pins for mitigation of parasitic glitches.

## 1.3 User I/O

PolarFire SoC FPGAs have two types of I/O buffers: HSIO and GPIO. HSIO buffers are optimized for single-ended buffers with supplies from 1.2V to 1.8V. GPIO buffers support single-ended and true differential interfaces with supplies from 1.2V to 3.3V. PolarFire SoC FPGAs support the following types of I/O Banks:

- GPIO Banks—These Banks support I/O buffers for single-ended and true differential signals from 1.2V to 3.3V.
- HSIO Banks—These Banks support optimized I/O buffers for single-ended and true differential signals from 1.2V to 1.8V.
- MSS I/Os—These banks can support I/O buffer for single-ended signals from 1.2V to 3.3V.
- MSS DDR I/Os—These banks can support I/O buffer for single-ended and differential per the Pin table signals at 1.2V, 1.5V to 1.8V.
- MSS SGMII I/Os—These banks can support I/O buffer for single-ended and differential per the Pin table signals at 2.5V or 3.3V.

**Note:** When the HSIO bank is configured as an LVDS receiver, the concerned I/Os must be connected externally by a 100Ω resistor.

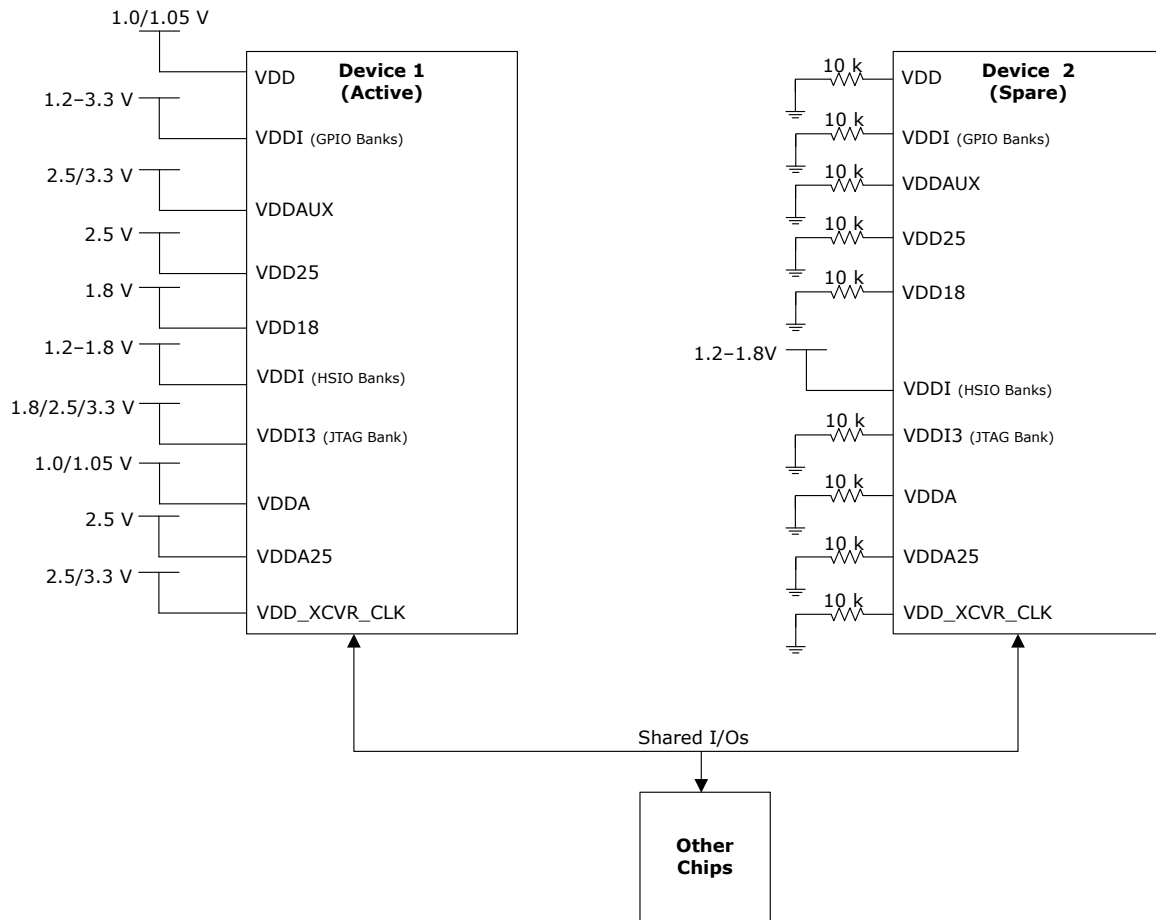
For more information about key features of I/O buffers and supported standards, see [UG0902: PolarFire SoC FPGA Packaging and Pin Descriptions User Guide](#) and [PolarFire FPGA and PolarFire SoC FPGA User I/O User Guide](#).

### 1.3.1 Cold Sparing

PolarFire SoC devices support cold sparing for GPIO and HSIO. Cold sparing is implemented by connecting the devices as shown in the following figure. The system board has two PolarFire SoC devices in parallel, and the devices share I/Os. The spare device has its HSIO VDDI banks powered-up to prevent I/O leakage through the ESD diodes. As a result, low power and a protected state for the spare device is established. The spare device can be changed to active device by powering-up all the supplies. The active device can be changed to spare device by powering down all the supplies, except HSIO VDDI banks.

A typical cold sparing application integrates two parallel devices with shared I/O connections, as shown in the following figure.

**Figure 1-4. Cold Sparing**



**Note:** Transceiver and JTAG pins do not support the cold sparing feature.

## 1.3.2 Hot Socketing (GPIO Only)

Hot socketing (also known as hot swapping or hot plug-in) prevents damage to the PolarFire SoC FPGA if, at any time, voltage is detected at I/O while the device is powered OFF. It also helps prevent disruptions that may occur in the rest of the system if the I/O of a device are connected without a valid power supply.

Only GPIOs support hot socketing. In hot socketing, GPIOs are in high-impedance (hi-Z) state.

The GPIO maintains the following high-impedance state until the power supplies are at a valid state.

- VDDAUX is greater than or equal to 1.6 V
- VDDIx is greater than or equal to 0.8 V
- VDD and VDD25 are both high and the PolarFire SoC FPGA controller has asserted the global I/O ring signal (IO\_EN)

### 1.3.2.1 Over-Voltage Tolerance for GPIO

If GPIO is configured with the following settings, GPIO supports over-voltage tolerance, ensuring that the I/O signal at the pad is at a higher potential than the VDDIx power supply.

**Table 1-6. Over-Voltage Tolerance**

Standard	OE	Clamp Diode	VREF (Input)	Weak Pull-Up/ Pull-Down	Termination	Hot-plug
PCI	x	ON	ON	ON	ON	Disabled
GPIO	1	ON	ON	ON	ON	Disabled
	0	OFF	OFF	OFF	OFF	Enabled

For recommended operating conditions about over-voltage tolerance, see [PolarFire SoC FPGA Advance Datasheet](#).

## 1.4 MSS I/Os

PolarFire SoC FPGAs support the following type of MSS I/O buffers.

- [1.4.1 MSS DDR I/Os](#)
- [1.4.2 MSS SGMII I/Os](#)
- [1.4.3 MSS-Specific I/O](#)

### 1.4.1 MSS DDR I/Os

The MSS DDR I/Os are a dedicated set of pins for x32 width DDR interface with ECC support. The dedicated set of pins are as follows:

- MSS\_DDR\_DQ[0:35]
  - MSS\_DDR\_DQSP[0:4], MSS\_DDR\_DQSN[0:4]
  - MSS\_DDR\_DM[0:4]
  - MSS\_DDR\_A[0:16]
  - MSS\_DDR\_CK\_0, MSS\_DDR\_CK\_N0
  - MSS\_DDR\_CK\_1, MSS\_DDR\_CK\_N1
  - MSS\_DDR\_RAM\_RST\_N
  - MSS\_DDR\_VREF\_IN
  - MSS\_DDR\_BA0, MSS\_DDR\_BA1
  - MSS\_DDR\_BG0, MSS\_DDR\_BG1
  - MSS\_DDR\_CS0, MSS\_DDR\_CS1
  - MSS\_DDR\_CKE0, MSS\_DDR\_CKE1
  - MSS\_DDR\_ODT0, MSS\_DDR\_ODT1
  - MSS\_DDR\_ACT\_N
  - MSS\_DDR\_WE\_N
  - MSS\_DDR\_ALERT\_N
  - MSS\_DDR\_PARITY
- The interface supports the following types of DDR memories:
- DDR4 – Single and Dual Rank
  - DDR3 – Single and Dual Rank
  - LPDDR4
  - LPDDR3

For more details about pin mapping and DDR user models, see [PolarFire SoC Packaging Pin Assignment Table \(PPAT\)](#) and [PolarFire FPGA and PolarFire SoC FPGA Memory Controller User Guide](#).

### 1.4.2 MSS SGMII I/Os

The MSS SGMII I/Os are a dedicated set of pins. Two sets of pins are for transceiver and one set for sourcing the reference clock. The MSS SGMII pins are listed as follows:

- MSS\_SGMII\_TXP0, MSS\_SGMII\_TXN0
- MSS\_SGMII\_RXP0, MSS\_SGMII\_RXN0
- MSS\_SGMII\_TXP1, MSS\_SGMII\_TXN1
- MSS\_SGMII\_RXP1, MSS\_SGMII\_RXN1
- MSS\_REFCLK\_IN\_P, MSS\_REFCLK\_IN\_N

### 1.4.3 MSS-Specific I/O

There are 38 MSS I/Os that can be configured using Libero<sup>®</sup> SoC to interface with various peripherals (see [Figure 1-5](#)),). For the MSS I/Os pinout information, see [PolarFire SoC Packaging Pin Assignment Table](#). The PPAT lists the MSS I/Os and the peripherals they support. MSS I/Os are configured using Libero SoC > PFSOC\_MSS SgCore IP Configurator.

Figure 1-5. Peripherals

BANK	IO MUX	Package Pin	EMMC	USB	SD	MAC	QSPI	SPI	MMUART	I2C	CAN	GPIO
BANK 4	0	AA5	EMMC_CLK		SD_CLK		QSPI_CLK	SPI_0_CLK				GPIO_0_0
	1	AA9	EMMC_CMD		SD_CMD				MMUART_3_RXD	I2C_0_SCL		GPIO_0_1
	2	AA7	EMMC_DATA0		SD_DATA0				MMUART_3_TXD	I2C_0_SDA		GPIO_0_2
	3	Y6	EMMC_DATA1		SD_DATA1				MMUART_4_RXD		CAN_0_TXBUS	GPIO_0_3
	4	AA10	EMMC_DATA2		SD_DATA2				MMUART_4_TXD		CAN_0_RXBUS	GPIO_0_4
	5	AA13	EMMC_DATA3		SD_DATA3				MMUART_0_RXD (A)		CAN_0_TX_EBL_N	GPIO_0_5
	6	Y10	EMMC_STRB		SD_CD				MMUART_0_TXD (A)			GPIO_0_6
	7	Y7	EMMC_RSTN		SD_WP	MAC_1_MDC			MMUART_2_RXD	I2C_1_SCL		GPIO_0_7
	8	Y14	EMMC_DATA4		SD_POW	MAC_1_MDIO	QSPI_SS0		MMUART_2_TXD	I2C_1_SDA		GPIO_0_8
	9	Y13	EMMC_DATA5		SD_VOLT_SEL	MAC_0_MDC	QSPI_DATA0		MMUART_0_RXD (B)			GPIO_0_9
	10	Y3	EMMC_DATA6		SD_VOLT_EN	MAC_0_MDIO	QSPI_DATA1		MMUART_0_TXD (B)			GPIO_0_10
	11	Y11	EMMC_DATA7		SD_VOLT_CMD_DIR		QSPI_DATA2	SPI_0_DO	MMUART_1_RXD		CAN_1_TXBUS	GPIO_0_11
	12	AA12			SD_VOLT_DIR_0		QSPI_DATA3	SPI_0_DI	MMUART_1_TXD		CAN_1_RXBUS	GPIO_0_12
13	Y12			SD_VOLT_DIR_1_3			SPI_0_SS0			CAN_1_TX_EBL_N	GPIO_0_13	
BANK 2	14	W6		USB_CLK			QSPI_CLK (A)	SPI_1_CLK (A)				GPIO_1_0
	15	V6		USB_DIR		MAC_1_MDC (A)		SPI_1_DO (A)	MMUART_4_RXD			GPIO_1_1
	16	W8		USB_NXT		MAC_1_MDIO (A)		SPI_1_DI (A)	MMUART_4_TXD			GPIO_1_2
	17	V3		USB_STP				SPI_1_SS0 (A)	MMUART_0_RXD (A)			GPIO_1_3
	18	V4		USB_DATA0					MMUART_0_TXD (A)			GPIO_1_4
	19	U5		USB_DATA1					MMUART_1_RXD			GPIO_1_5
	20	W9		USB_DATA2					MMUART_1_TXD	I2C_0_SCL (A)		GPIO_1_6
	21	U7		USB_DATA3					MMUART_2_RXD	I2C_0_SDA (A)	CAN_0_TX_EBL_N (A)	GPIO_1_7
	22	U6		USB_DATA4					MMUART_2_TXD		CAN_0_TXBUS (A)	GPIO_1_8
	23	V7		USB_DATA5				SPI_0_SS0	MMUART_3_RXD		CAN_0_RXBUS (A)	GPIO_1_9
	24	V9		USB_DATA6		MAC_0_MDC (A)		SPI_0_DI	MMUART_3_TXD	I2C_1_SCL (A)		GPIO_1_10
	25	U9		USB_DATA7		MAC_0_MDIO (A)		SPI_0_DO		I2C_1_SDA (A)		GPIO_1_11
	26	V14			SD_LED (A)					I2C_1_SCL (B)		GPIO_1_12
	27	V13			SD_VOLT_0 (A)					I2C_1_SDA (B)	CAN_1_TX_EBL_N (A)	GPIO_1_13
	28	W10			SD_VOLT_1 (A)	MAC_1_MDC (B)			MMUART_0_RXD (B)		CAN_1_TXBUS (A)	GPIO_1_14
	29	W11			SD_VOLT_2 (A)	MAC_1_MDIO (B)			MMUART_0_TXD (B)		CAN_1_RXBUS (A)	GPIO_1_15
	30	W14					QSPI_CLK (B)	SPI_1_CLK (B)				GPIO_1_16
31	W13					QSPI_SS0	SPI_1_SS0 (B)			CAN_0_TXBUS (B)	GPIO_1_17	
32	U11			SD_CLE		QSPI_DATA0	SPI_1_DO (B)			CAN_0_RXBUS (B)	GPIO_1_18	
33	U12			SD_LED (B)		QSPI_DATA1	SPI_1_DI (B)			CAN_0_TX_EBL_N (B)	GPIO_1_19	
34	V11			SD_VOLT_0 (B)		QSPI_DATA2				CAN_1_TXBUS (B)	GPIO_1_20	
35	U10			SD_VOLT_1 (B)	MAC_0_MDC (B)	QSPI_DATA3		MMUART_0_RXD (C)	I2C_0_SCL (B)	CAN_1_RXBUS (B)	GPIO_1_21	
36	U14			SD_VOLT_2 (B)	MAC_0_MDIO (B)			MMUART_0_TXD (C)	I2C_0_SDA (B)	CAN_1_TX_EBL_N (B)	GPIO_1_22	
37	V12					QSPI_CLK (C)	SPI_0_CLK				GPIO_1_23	

### 1.5 Clocks

PolarFire SoC devices offer two on-chip RC oscillators (one 2 MHz and one 160 MHz) to generate free-running clocks. The clocks do not have any I/O pads and do not require external components to operate.

The following table lists the number of RC oscillators available in PolarFire SoC devices.

**Table 1-7. RC Oscillator Count**

Resource	Supported Range (MHz)	MPFS250
On-chip oscillator	2	1
	160	1

For more information about clocking in PolarFire SoC devices, see [PolarFire FPGA and PolarFire SoC FPGA Clocking Resources User Guide](#).

## 1.6 Reset

For designing a robust system, users may use the dedicated DEVRST\_N pin or a general purpose reset signal using any GPIO/HSIO as a global system level reset.

For the following cases, the users must use the DEVRST\_N as a warm reset for the device:

- A user design modifies auto-initialized fabric RAMs or PCIe configuration during operation.
  - A user design is using PCIe, transceivers or user crypto.
- For all other use cases, it is recommended to use a general purpose reset signal using any GPIO/HSIO IO because they take much shorter time for design to come out of reset.

If the dedicated DEVRST\_N is not used for warm resets, the DEVRST\_N pin must be configured using one of the following methods:

- Drive the signal with a POR chip or an external device and keep the DEVRST\_N asserted till the system/clocks are stable and the chip is properly powered up.
- Connect DEVRST\_N to VDDI3 through a 1 kΩ resistor per pin without sharing with any other pins.
  - In this case, the user needs to ensure that all clocks are stable going to the device before the user design is released from power-on reset. The details of the minimum time taken for the fabric design to be activated after power-on is specified in the Power-Up To Functional section of [PolarFire SoC FPGA Advance Datasheet](#).

## 1.7 DDR

PolarFire SoC devices support DDR3, LPDDR4, LPDDR3, and DDR4. For more information about the DDR support in PolarFire SoC devices, see [PolarFire SoC FPGA Advance Datasheet](#).

The reliability of the DDR interface depends on the quality of the layout. For detailed information on board layout and routing, see [PolarFire FPGA and PolarFire SoC FPGA Memory Controller User Guide](#).

## 1.8 Device Programming

The PolarFire SoC device can be programmed using one of the two dedicated interfaces: JTAG or SPI. These two interfaces support the following programming modes:

- JTAG programming
- SPI master mode programming
- SPI slave mode programming

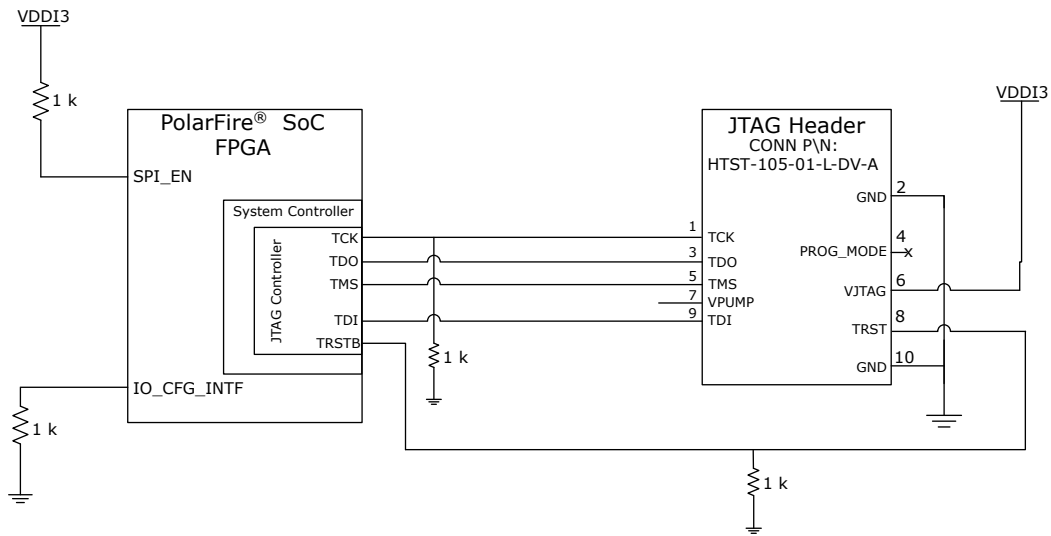
The PolarFire SoC FPGA supports programming modes through an internal system controller using SPI master mode or an external master using JTAG or SPI interfaces. For detailed information on hardware connections for each programming mode, see [PolarFire FPGA and PolarFire SoC FPGA Programming User Guide](#).

### 1.8.1 JTAG Programming

The JTAG interface is used for the device programming and testing, or for debugging the firmware. When the device reset (DEVRST\_N) is asserted, JTAG I/Os are not accessible. JTAG I/Os are powered by Bank 3 VDDI.

The following figure shows the board-level connectivity for JTAG programming mode in PolarFire SoC devices.

Figure 1-6. JTAG Programming



The following table lists the JTAG pin names and descriptions.

Table 1-8. JTAG Pins

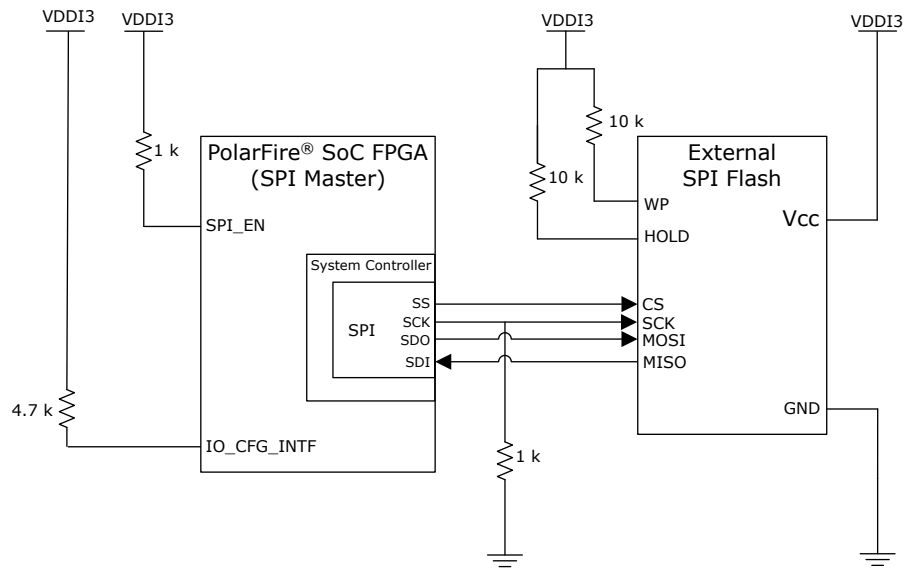
Pin Names	Direction	Unused Condition	Description
TMS	Input	DNC	JTAG test mode select.
TRSTB	Input	Must be connected to VDDI3 through a 1 kΩ resistor	JTAG test reset. Must be held low during device operation.
TDI	Input	DNC	JTAG test data in.
TCK	Input	Must be connected to VSS through a 10 kΩ resistor	JTAG test clock.
TDO	Output	DNC	JTAG test data out.

### 1.8.2 SPI Master Mode Programming

The embedded system controller contains a dedicated SPI block for programming, which can operate in master or slave mode. In master mode, the PolarFire SoC device interfaces are used to download programming data through the external SPI flash. In slave mode, the SPI block communicates with a remote device that initiates download of programming data to the device.

The following figure shows the board-level connectivity for SPI master mode programming in PolarFire SoC devices.

**Figure 1-7. SPI Master Mode Programming**



The following table lists the SPI master mode programming pins.

**Table 1-9. SPI Master Mode Programming Pins**

SPI Pin Name	Direction	Unused Condition	Description
SCK	Bidirectional	Connect to VSS through a 10 kΩ resistor	SPI clock. <sup>1</sup>
SS	Bidirectional	Connect to VSS through a 10 kΩ resistor	SPI slave select. <sup>1</sup>
SDI	Input	Connect to VDDI3 through a 10 kΩ resistor	SDI input. <sup>1</sup>
SDO	Output	DNC	SDO output. <sup>1</sup>
SPI_EN	Input	Connect to VSS through a 10 kΩ resistor	SPI enable. 0: SPI output tri-stated 1: Enabled  Pulled up or down through a resistor or driven dynamically from an external source to enable or tri-state the SPI I/O.
IO_CFG_INTF	Input	Connect to VSS through a 10 kΩ resistor	SPI I/O configuration. 0: SPI slave interface 1: SPI master interface  Pulled up or down through a resistor or driven dynamically from an external source to indicate whether the shared SPI is a master or slave.

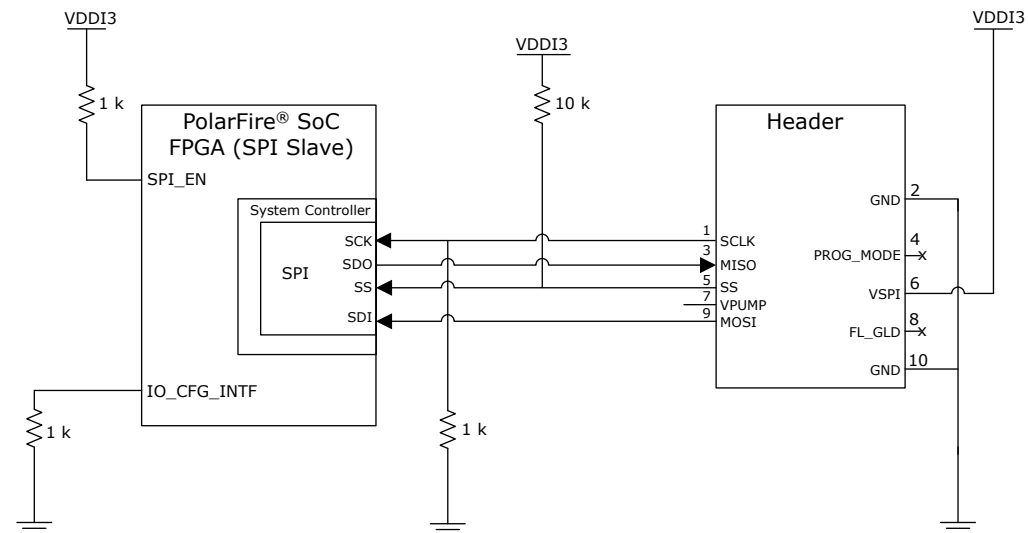
(1) The SCK, SS, SDI, and SDO pins are shared between the system controller and the FPGA fabric. When the system controller's SPI is enabled and configured as a master, the system controller hands over the control of the SPI to the fabric (after device power-up).



## 1.8.3 SPI Slave Mode Programming

The following figure shows the board-level connectivity for SPI slave mode programming in PolarFire SoC devices.

**Figure 1-8. SPI Slave Mode Programming**



## 1.9 Special Pins

For information about special pins, see [UG0902: PolarFire SoC FPGA Packaging and Pin Descriptions User Guide](#).

## 1.10 Transceiver

Transceiver blocks are located on the east corner of the PolarFire SoC device. PolarFire SoC devices support PCIe interface, which supports only Transceiver quad 0.

For more information about implementing PCIe interfaces, see [PolarFire FPGA and PolarFire SoC FPGA PCI Express User Guide](#). For more information about implementing other transceiver based interfaces and power supplies, see [PolarFire FPGA and PolarFire SoC FPGA Transceiver User Guide](#).

The PolarFire SoC MPFS250T-FCG1152 device includes:

- Four Transceiver Quads (4 Lanes per Quad) - XCVR\_[3:0].
- The embedded PCIe controller subsystem (PCIESS) is available only within Quad\_0 or XCVR\_0 Lane.

For more information about supported I/O standards, see [PolarFire FPGA and PolarFire SoC FPGA User I/O User Guide](#).

### 1.10.1 Reference Clock

A transceiver reference clock is delivered to each transmit PLL for transmit functions and to each receiver lane for receive clock data recovery (CDR).

#### 1.10.1.1 Transceiver Reference Clock Requirements

The following are requirements for the transceiver reference clock:

- When differential clock input is provided to the reference clock:
  - ODT must be enabled for transceiver reference clock pins.
  - Must be within the range of 20 MHz to 400 MHz.
- Must be within the tolerance range of I/O standards. The reference input buffer is provided and is expected to support these input standards directly without external components on the board. The reference I/O standards

such as LVCMOS25, SSTL18, LVDS25, and HCSL25 are supported. For more information, see the “Reference Clock Input Buffer Standards” table in [PolarFire FPGA and PolarFire SoC FPGA Transceiver User Guide](#).

See the PCI Express Base specification Rev 2.1 for detailed PHY specifications. Also, see the PCIe Add-in Card Electro-Mechanical (CEM) specifications.

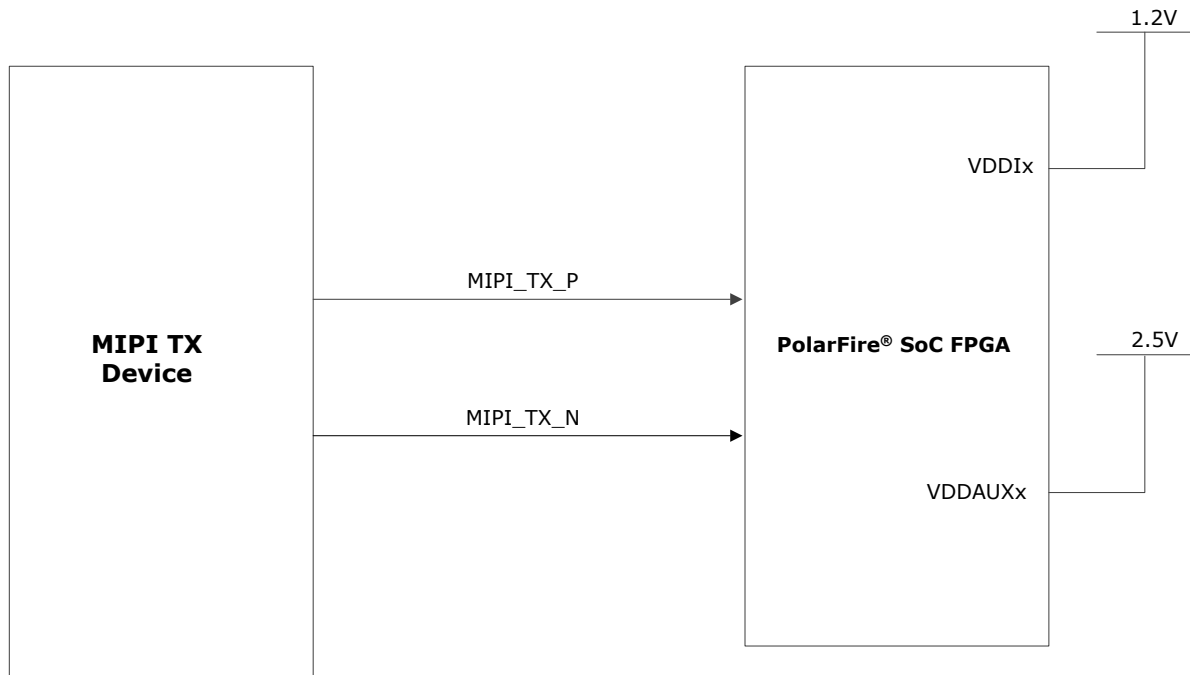
## 1.11 MIPI Hardware Design Guidelines

The following sections discuss the guidelines for MIPI RX and TX interface with PolarFire SoC device.

### 1.11.1 MIPI RX

The MIPI RX is supported only in GPIO Bank. The corresponding Bank voltage (VDDI), and VDDAUX voltage must be connected as shown in the following figure.

**Figure 1-9. MIPI RX Connection**



MIPI RX signal connections are as follows:

- Four data and clock must be within one DDR\_Lane.
- Connect the data signals to adjacent DDR\_Lanes, if more than four data signals are available.
- The MIPI RX clock must be connected to a CLKIN pin.

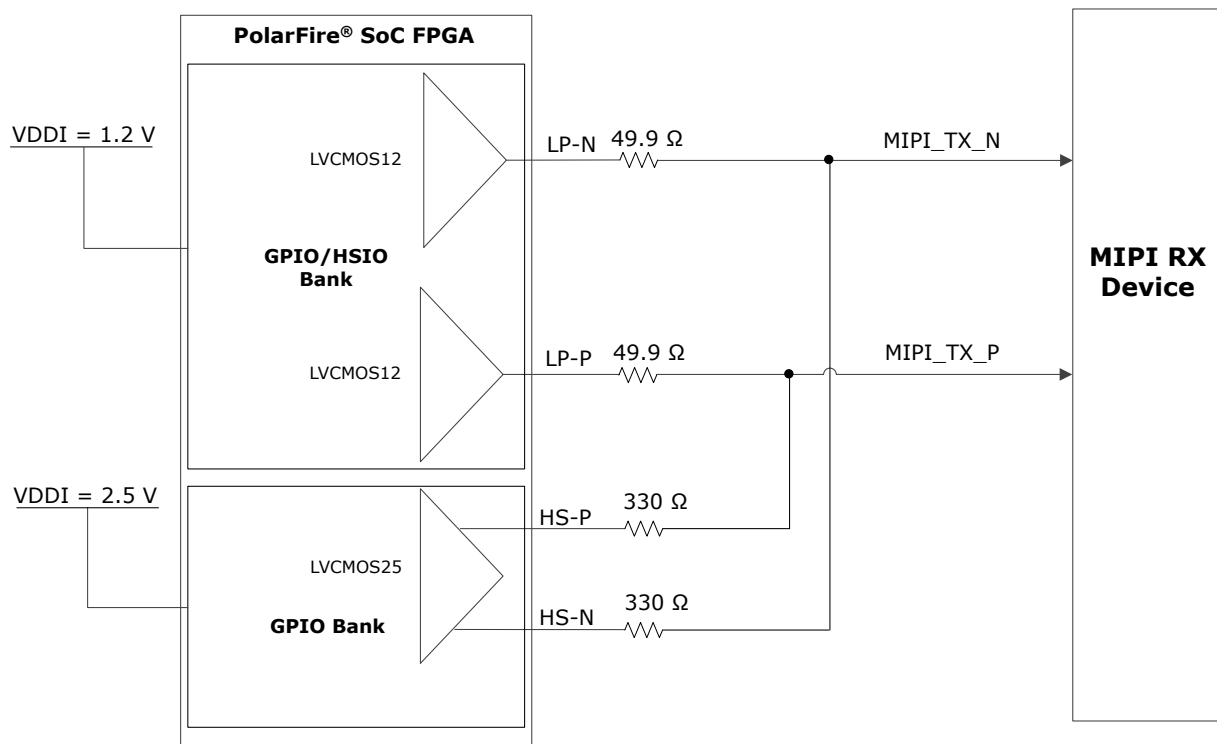
For more information about DDR\_Lane, see [PolarFire SoC Packaging Pin Assignment Table](#).

### 1.11.2 MIPI TX

The MIPI Low Power (LP) signals should be connected to a 1.2 V GPIO/HSIO Bank supply. High-speed signals should be connected to a 2.5 V GPIO Bank supply. Select the HS and LP pins in adjacent pins to minimize the LP stub. The HS data and clock signals should be in one DDR\_Lane. For more information about DDR\_Lane information, see [PolarFire SoC Packaging Pin Assignment Table](#).

The MIPI TX standard can be implemented by using the resistor divider network for Low Power (LP) and High Speed (HS) signals, as shown in the following figure. The resistor values mentioned in the following provide a throughput upto of 1 Gpbs.

Figure 1-10. MIPI TX Connections



**Note:** Run the PDC verification in the Libero SoC tool before moving to layout. To know about MIPI RX electrical characteristics, see [PolarFire SoC FPGA Advance Datasheet](#).

For information about the MIPI layout guidelines, see [3.1 MIPI](#).

## 1.12 AC and DC Coupling

Each transmit channel of a PCIe lane must be AC-coupled to allow link detection. Capacitors used for AC coupling must be external to the device and large enough to avoid excessive low-frequency drops when the data signal contains a long string of consecutive identical bits. For non-PCIe applications, Microchip recommends that a PolarFire SoC device receives inputs that are AC-coupled to prevent common-mode mismatches between devices. Suitable values (for example, 0.1  $\mu\text{F}$ ) for AC-coupling capacitors must be used to maximize link signal quality and must conform to [PolarFire SoC FPGA Advance Datasheet](#) electrical specifications.

For lower data rates as per the datasheet, DC coupling is supported by PolarFire SoC Transceiver Tx and Rx interfaces through a configuration option. If a PolarFire SoC transmitter is used to drive a PolarFire SoC receiver in DC-coupled mode, select the lowest common mode settings for the transmitter.

## 1.13 Brownout Detection

The PolarFire SoC FPGA functionality is guaranteed only if VDD is above the recommended level specified in the Datasheet. Brownout detection occurs when VDD drops below the minimum recommended operating voltage. When this occurs, the device operation may not be reliable. The design might continue to malfunction even after the supply is brought back to the recommended values because parts of the device might have lost functionality during brownout. The VDD supply is protected by an built-in brownout detection circuit.

## 2. Board Design Checklist

This chapter provides a set of hardware board design checks for designing hardware using Microchip PolarFire SoC FPGAs. The checklists provided in this chapter are a high-level summary checklist to assist the design engineers in the design process.

### 2.1 Prerequisites

Ensure to go through the following before reading this chapter:

- [Introduction](#)
- [Appendix: General Layout Design Practices](#)

This checklist is intended as a guideline only. The PolarFire SoC family consists of SoC FPGAs ranging from densities of 100K to 400K Logic Elements (LEs).

### 2.2 Design Checklist

The following table lists the various checks that design engineers must take care while designing a system.

**Table 2-1. Design Checklist**

Guideline	Yes/No	Remarks
<b>Prerequisites</b>		
– See <a href="#">PolarFire SoC FPGA Advance Datasheet</a> .	—	—
– See <a href="#">PolarFire SoC FPGA Packaging and Pin Descriptions User Guide</a> .	—	—
Refer to the board-level schematics of PolarFire SoC Evaluation Kit	—	—
<b>Device Selection</b>		
Check for available device variants for PolarFire SoC FPGA – Select a device based on I/O pin count, transceivers, package, phase-locked loops (PLLs), and speed grade	—	—
Check device errata in PolarFire SoC FPGA Errata (yet to be published)	—	—
<b>Design Checklist</b>		
<b>Power Analysis</b>		
Download the <a href="#">PolarFire SoC FPGA Power Estimator</a> and check for the power budget. For more information, see <a href="#">UG0897: PolarFire SoC FPGA Power Estimator User Guide</a> .	—	—
<b>Power Supply Checklist</b>		
See <a href="#">Power Supplies</a> for used power rails. See <a href="#">Unused Power Supply</a> and <a href="#">Figure 1-3</a> for unused rails.	—	—
<b>Decoupling Capacitors</b>		
Follow <a href="#">f06a0512d91123c599abf9589d45000f356cec8f.xml</a> . Perform PI Analysis for any deviation from the recommended capacitors.	—	—
<b>Clocks</b>		
For more information about dynamic phase shift ports, see Table 6 of <a href="#">PolarFire FPGA</a> and <a href="#">PolarFire SoC FPGA Clocking Resources User Guide</a> . The XCVR reference clock ranges from 20 MHz to 400 MHz.	—	—

.....continued		
Guideline	Yes/No	Remarks
<p>The global clock network can be driven by any of the following:</p> <ul style="list-style-type: none"> <li>– Preferred clock inputs (CLKIN_z_w)</li> <li>– On-chip oscillators</li> <li>– CCC (PLL/DLL)</li> <li>– XCVR interface clocks</li> </ul> <p>High-Speed I/O Clocks</p> <p>High-speed I/O clock networks can be driven by I/O or CCCs. The high-speed I/O clocks can feed reference clock inputs of adjacent CCCs through hardwired connections.</p> <p><b>CCC</b></p> <p>The CCC can be configured to have a PLL or DLL clock output, driving a high-speed I/O clock network.</p>	—	—
<p>Global buffer (GB) can be driven through the dedicated global I/O, CCC or fabric (regular I/O) routing. The global network is composed of GBs to distribute low-skew clock signals or high-fanout nets.</p> <p>Dedicated global I/O drive the GBs directly and are the primary source for connecting external clock inputs (to minimize the delay) to the internal global clock network.</p> <p>For more information about global clock network, see <a href="#">PolarFire FPGA and PolarFire SoC FPGA Clocking Resources User Guide</a>.</p>	—	—
<b>Reset</b>		
For more information about DEVRST_N and user reset, see <a href="#">1.6 Reset</a> .	—	—
<b>DDR Interface</b>		
For more information about DDR routing and topology, see <a href="#">PolarFire FPGA and PolarFire SoC FPGA Memory Controller User Guide</a> .	—	—
<b>Programming and Debugging Scheme</b>		
For programming and debugging information, see <a href="#">1.8 Device Programming</a> .	—	—
<b>XCVR</b>		
For more information about XCVR, see <a href="#">PolarFire FPGA and PolarFire SoC FPGA Transceiver User Guide</a> .	—	—
For I/O gearing interfaces, place the clocks and data based on the defined requirements by selecting the correct I/O. For more information about the placement of User I/O, see <a href="#">PolarFire FPGA and PolarFire SoC FPGA User I/O User Guide</a> .	—	—
There is one IO_CFG_INTF pin available, which can be used as input.	—	—
See the bank location diagrams in the <a href="#">UG0902: PolarFire SoC FPGA Packaging and Pin Descriptions User Guide</a> to assess the preliminary placement of major components on PCB.	—	—

## 2.3 Layout Checklist

The following table lists the layout checklist.

**Table 2-2. Layout Checklist**

Guideline	Yes/No
<b>Power</b>	
Are the 0402 or lesser size capacitors used for all decapacitors?	—
Is the required copper shape provided to core voltage?	—
Are the required copper shape and sufficient vias provided to voltages?	—
Are VREF planes for the DDRx reference supply isolated from the noisy planes?	—
Are sufficient number of decoupling capacitors used for the DDRx core and VTT supply?	—
Is one 0.1 $\mu$ F capacitor for two VTT termination resistors used for DDRx?	—
Is the VTT plane width sufficient?	—
<b>DDR Memories</b>	
Are the length-match recommended by Micron followed for DDR memories?	—
<b>XCVR</b>	
Are the length-match recommendations for XCVR followed?	—
Are DC blocking capacitors required for PCIe interface?	—
Is tight-controlled impedance maintained along the XCVR traces?	—
Are differential vias well designed to match XCVR trace impedance?	—
Are DC blocking capacitor pads designed to match XCVR trace impedance?	—
<b>Dielectric Material</b>	
Is proper PCB material selected for critical layers?	—

### 3. Appendix: General Layout Design Practices

This chapter provides guidelines for the hardware board layout that incorporates PolarFire SoC devices. The guidelines mentioned in this document act as a supplement to the standard board-level layout practices.

This chapter is intended for readers who are familiar with the PolarFire SoC FPGA chip, experience in digital board layout, and know about line theory and signal integrity.

#### 3.1 MIPI

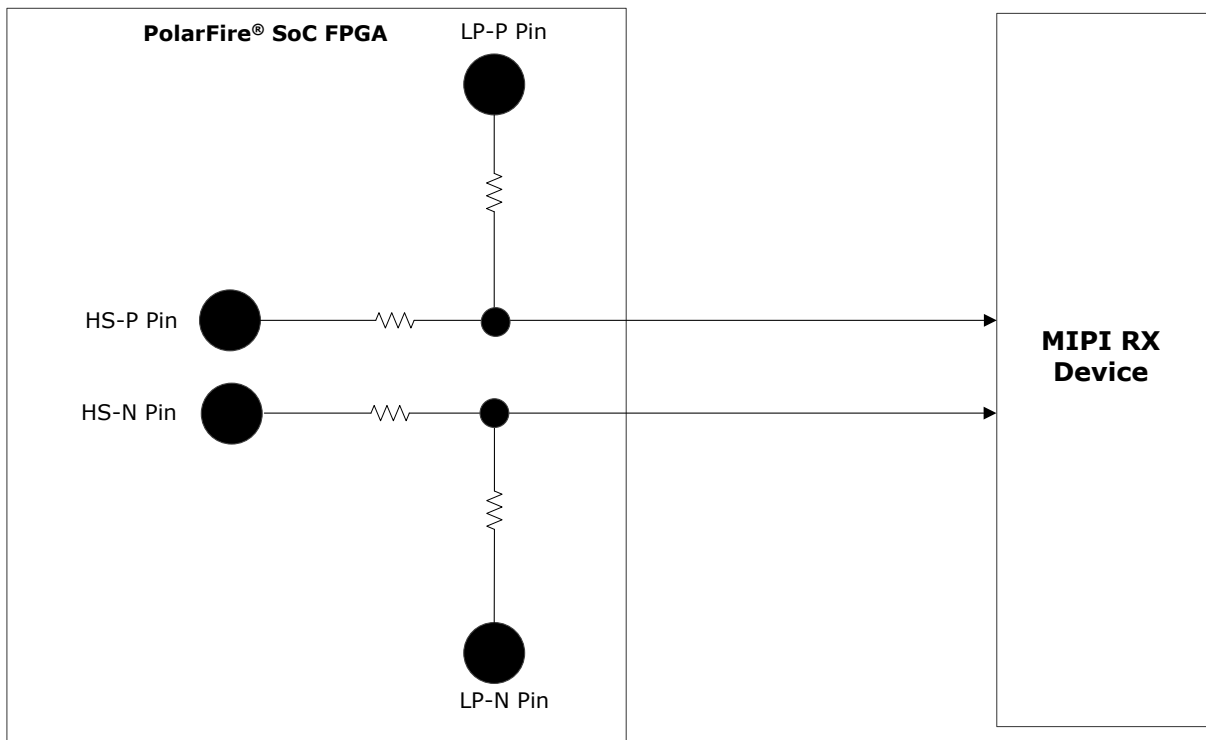
MIPI RX Layout Guidelines:

The data and clock must be matched within 20 mils in PCB.

MIPI TX Layout Guidelines:

As shown in [Figure 3-1](#), the LP and HS resistors must be close to the PolarFire SoC device pin. The HS signals should be routed to LP resistors to minimize the LP signals PCB stub length. The LP signals stub should be less than 500 mils. The data lane and clock should be length matched within 20 mils. Eight inches are the maximum length supported.

Figure 3-1. MIPI TX Layout



#### 3.2 Transceiver

Transceivers are high-speed serial connectivity with built-in, multi-gigabit, and multi-protocol transceivers from 250 Mbps to 12.7 Gbps. For these transceiver-based interfaces, the system designer must be familiar with the industry specifications, transceivers technology, or RF/microwave PCB design. However, the PCB design can be evaluated by a knowledgeable high-speed digital PCB designer.

## 3.2.1 Layout Considerations

This section describes differential traces and skew matching, which must be taken care while designing the PCB layout.

### 3.2.1.1 Differential Traces

A well-designed differential trace must have the following qualities:

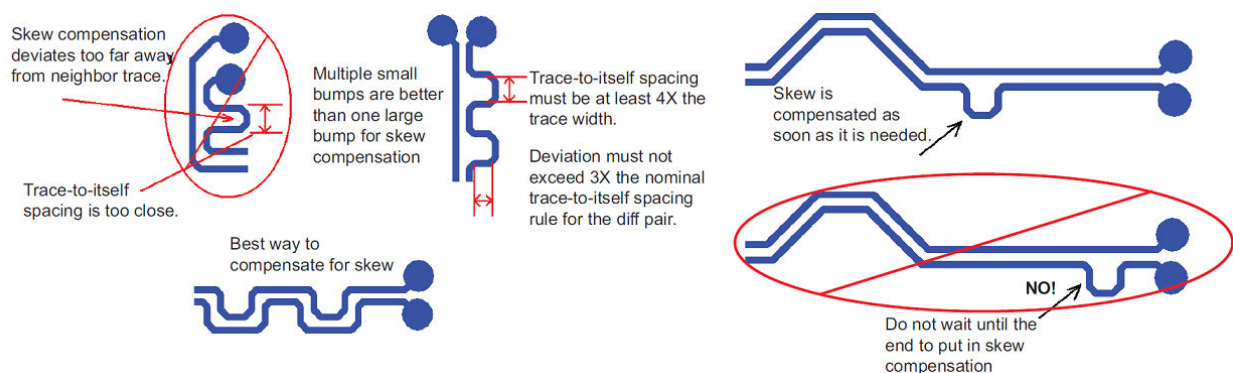
- No mismatch in impedance
- Insertion loss and return loss
- Skew within the differential traces  
The following points must be considered while routing the high-speed differential traces to meet the previous qualities.
- The traces should be routed with tight length matching (skew) within differential traces. Asymmetry in length causes conversion of differential signals in Common mode signals.
- The differential pair should be routed such that the skew within differential pairs is less than 5 mils. The length match should be used by matching techniques.

### 3.2.1.2 Skew Matching

The length of differential lanes should be matched within the TX and RX group. This applies only to specific protocols such as XAUI.

The following figure shows the skew matching.

**Figure 3-2. Skew Matching**



Differential pairs should be routed symmetrically in-to and out of structures, as shown in the following figure.

**Figure 3-3. Example of Asymmetric and Symmetric Differential Pairs Structure**



Skin effect dominates as the speed increases. To reduce the skin effect, the width of the trace must be increased (loosely coupled differential traces). Increase in trace width causes increase in dielectric losses. To minimize dielectric loss, use low dissipation factor (DF) PCB materials such as Nelco 4000-13EP SI. Cost is significantly higher than FR4 PCB material, but FR4 PCB material cannot provide increased eye-opening when longer trace interconnections are required. Ensure that a 85 - 100  $\Omega$  differential impedance is maintained. This is an important guideline to be followed if the data rate is 5 Gbps or higher.

Far end crosstalk is eliminated by using stripline routing. However, this type of routing in stripline causes more dielectric loss. In order to minimize dielectric loss, it is better to route as a microstrip if there is enough space between differential pairs (>4 times the width of the conductor). Simulations are recommended to see the best possible routing.

Instruct the fabrication vendor to use these PCB materials before manufacturing.

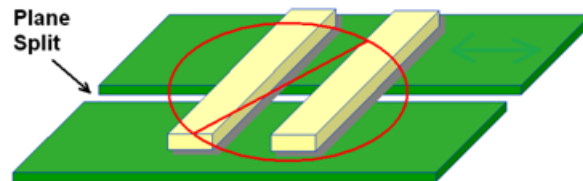


Transceiver traces must be kept away from the aggressive nets or clock traces. For example, on MPF300 devices, the transceiver and DDR traces should not be adjacent to each other. Trace stubs must be avoided.

It is recommended to use low roughness, that is, smooth copper. As the speed increases, insertion loss due to the copper roughness increases. The attenuation due to skin effect is increased proportional to the square root of frequency. Microchip recommends instructing the PCB fabrication house to use smooth copper, if the frequency exceeds 2 Gbps.

Split reference planes should be avoided. Ground planes must be used for reference for all transceiver lanes.

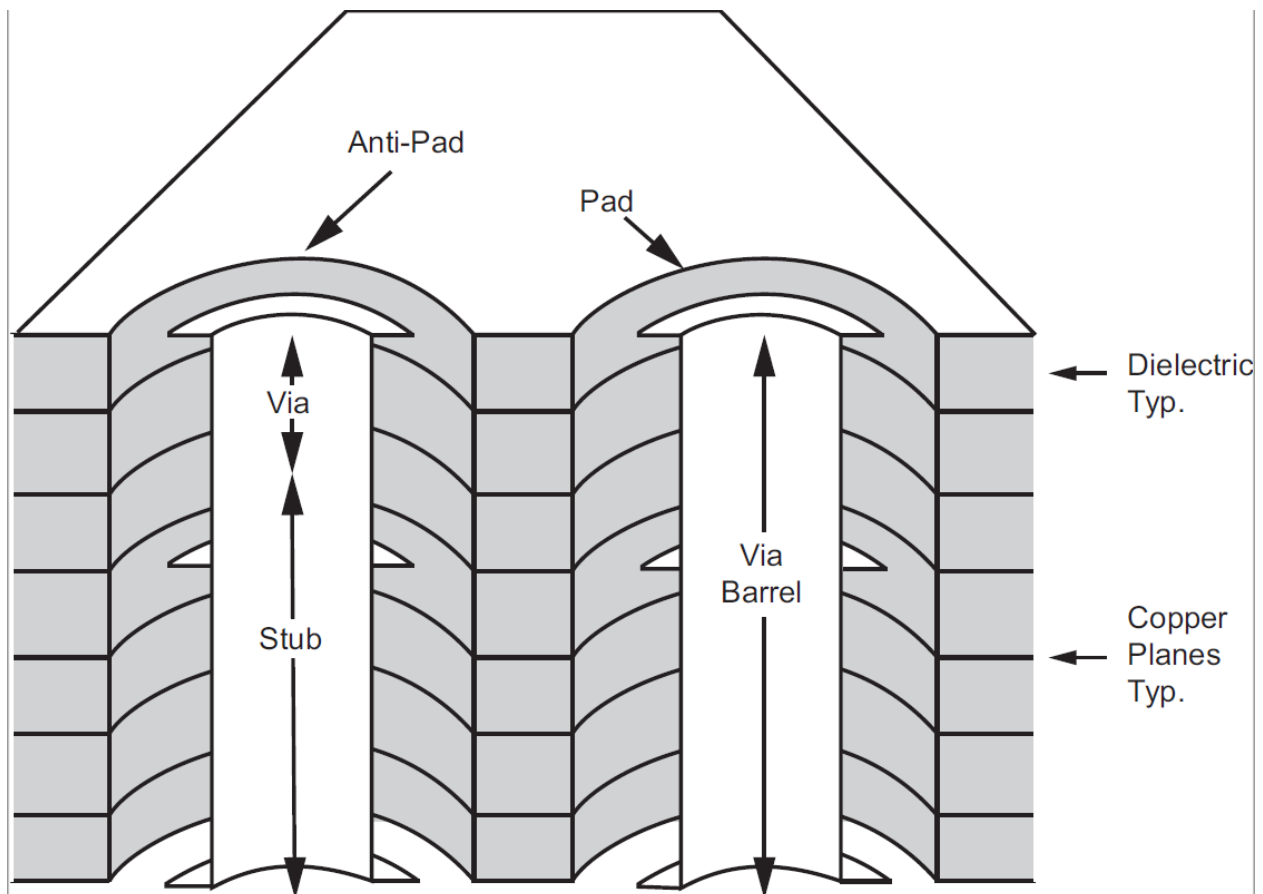
**Figure 3-4. Ground Planes for Reference**



### 3.2.1.3 Via

The target impedance of vias is designed by adjusting the pad clearance (anti-pad size). Field solver should be used to optimize the via according to the stack-up.

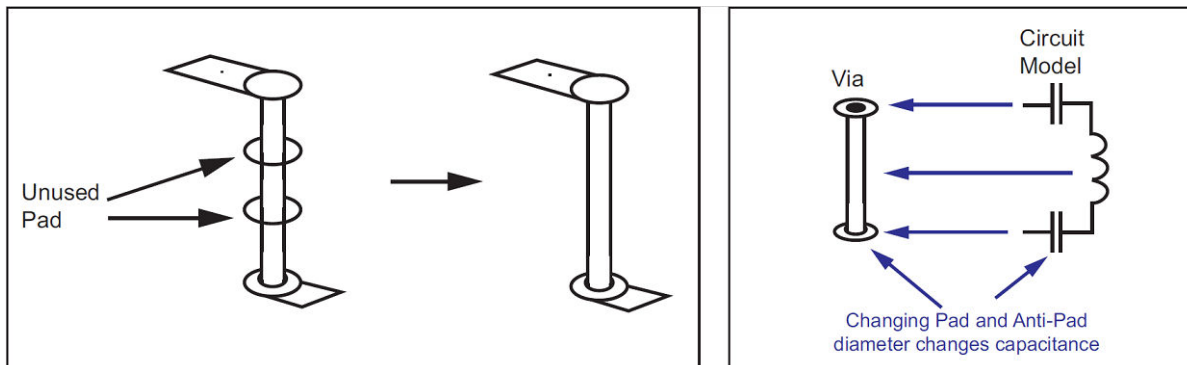
**Figure 3-5. Via Illustration**



- Many vias on different traces should be avoided or minimized as much as possible.
- The length of via stubs should be minimized by back-drilling the vias, routing signals from the near-top to the near-bottom layer, or using blind or buried vias. Using blind-vias and back drilling are good methods to eliminate via stubs and reduce reflections.

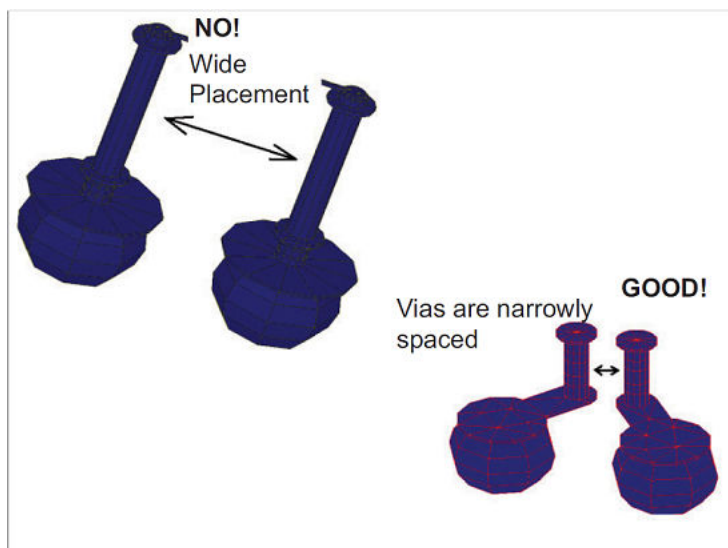
- If feasible, non-functional pads should be removed. Non-functional pads on-via are the pads where no trace is connected. This reduces the via capacitance and stub effect of pads.

**Figure 3-6. Non-Functional Pads of Via**



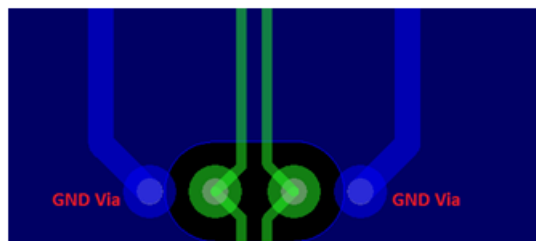
Using tight via-to-via pitches helps reducing the effect of crosstalk, as shown in the following figure.

**Figure 3-7. Via-to-Via Pitch**



Symmetrical ground vias (return vias) should be used to reduce discontinuity for Common mode signal components, as shown in the following figure. Common mode of part of the signal requires continuous return path for TX and RX to GND. Return vias help maintain the continuity.

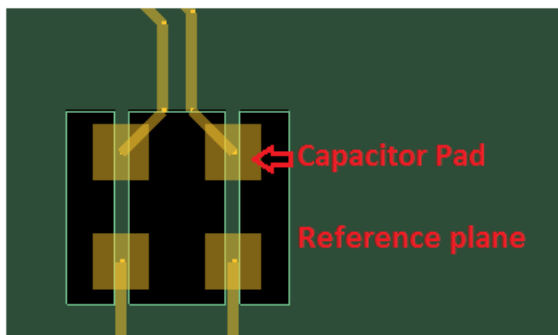
**Figure 3-8. GND Via or Return Via**



### 3.2.2 DC Blocking Capacitors

The plane underneath the pads of DC blocking capacitors should be removed, as shown in the following figure, to match the impedance of the pad to 50  $\Omega$ .

Figure 3-9. Capacitor Pad Reference Plane



## 4. Revision History

The revision history describes the changes that were implemented in the document. The changes are listed by revision, starting with the current publication.

Revision	Date	Description
B	10/2021	The following is a summary of changes made in this revision. <ul style="list-style-type: none"><li>• Updated <a href="#">Table 1-5</a> for power-up and power-down sequencing requirements for mitigating I/O glitch.</li><li>• Added recommended 1 nF, 2.2 nF, 10 nF, and 0.1 <math>\mu</math>F decoupling capacitors of the 0402 size for the 1 mm package. See <a href="#">Table 1-4</a>.</li><li>• Added more information in new footnotes for VDD and VDDA in <a href="#">Table 1-1</a>.</li><li>• Added footnotes for <a href="#">Table 1-2</a> and <a href="#">Table 1-3</a> to specify the objective of decoupling capacitors.</li></ul>
A	01/2021	The following is a summary of changes made in this revision. <ul style="list-style-type: none"><li>• Updated <a href="#">1.2 I/O Glitch</a>.</li><li>• Updated <a href="#">1.1.2 Unused Power Supply</a>.</li><li>• Migrated this document from Microsemi format to Microchip format. Document number is changed from 50200901 to DS60001681A</li></ul>
1.0	—	The first publication of this document.

---

## Microchip FPGA Support

---

Microchip FPGA products group backs its products with various support services, including Customer Service, Customer Technical Support Center, a website, and worldwide sales offices. Customers are suggested to visit Microchip online resources prior to contacting support as it is very likely that their queries have been already answered.

Contact Technical Support Center through the website at [www.microchip.com/support](http://www.microchip.com/support). Mention the FPGA Device Part number, select appropriate case category, and upload design files while creating a technical support case.

Contact Customer Service for non-technical product support, such as product pricing, product upgrades, update information, order status, and authorization.

- From North America, call **800.262.1060**
- From the rest of the world, call **650.318.4460**
- Fax, from anywhere in the world, **650.318.8044**

## The Microchip Website

---

Microchip provides online support via our website at [www.microchip.com/](http://www.microchip.com/). This website is used to make files and information easily available to customers. Some of the content available includes:

- **Product Support** – Data sheets and errata, application notes and sample programs, design resources, user's guides and hardware support documents, latest software releases and archived software
- **General Technical Support** – Frequently Asked Questions (FAQs), technical support requests, online discussion groups, Microchip design partner program member listing
- **Business of Microchip** – Product selector and ordering guides, latest Microchip press releases, listing of seminars and events, listings of Microchip sales offices, distributors and factory representatives

## Product Change Notification Service

---

Microchip's product change notification service helps keep customers current on Microchip products. Subscribers will receive email notification whenever there are changes, updates, revisions or errata related to a specified product family or development tool of interest.

To register, go to [www.microchip.com/pcn](http://www.microchip.com/pcn) and follow the registration instructions.

## Customer Support

---

Users of Microchip products can receive assistance through several channels:

- Distributor or Representative
- Local Sales Office
- Embedded Solutions Engineer (ESE)
- Technical Support

Customers should contact their distributor, representative or ESE for support. Local sales offices are also available to help customers. A listing of sales offices and locations is included in this document.

Technical support is available through the website at: [www.microchip.com/support](http://www.microchip.com/support)

## Microchip Devices Code Protection Feature

---

Note the following details of the code protection feature on Microchip devices:

- Microchip products meet the specifications contained in their particular Microchip Data Sheet.
- Microchip believes that its family of products is secure when used in the intended manner and under normal conditions.

- 
- There are dishonest and possibly illegal methods being used in attempts to breach the code protection features of the Microchip devices. We believe that these methods require using the Microchip products in a manner outside the operating specifications contained in Microchip's Data Sheets. Attempts to breach these code protection features, most likely, cannot be accomplished without violating Microchip's intellectual property rights.
  - Microchip is willing to work with any customer who is concerned about the integrity of its code.
  - Neither Microchip nor any other semiconductor manufacturer can guarantee the security of its code. Code protection does not mean that we are guaranteeing the product is "unbreakable." Code protection is constantly evolving. We at Microchip are committed to continuously improving the code protection features of our products. Attempts to break Microchip's code protection feature may be a violation of the Digital Millennium Copyright Act. If such acts allow unauthorized access to your software or other copyrighted work, you may have a right to sue for relief under that Act.

## Legal Notice

---

Information contained in this publication is provided for the sole purpose of designing with and using Microchip products. Information regarding device applications and the like is provided only for your convenience and may be superseded by updates. It is your responsibility to ensure that your application meets with your specifications.

THIS INFORMATION IS PROVIDED BY MICROCHIP "AS IS". MICROCHIP MAKES NO REPRESENTATIONS OR WARRANTIES OF ANY KIND WHETHER EXPRESS OR IMPLIED, WRITTEN OR ORAL, STATUTORY OR OTHERWISE, RELATED TO THE INFORMATION INCLUDING BUT NOT LIMITED TO ANY IMPLIED WARRANTIES OF NON-INFRINGEMENT, MERCHANTABILITY, AND FITNESS FOR A PARTICULAR PURPOSE OR WARRANTIES RELATED TO ITS CONDITION, QUALITY, OR PERFORMANCE.

IN NO EVENT WILL MICROCHIP BE LIABLE FOR ANY INDIRECT, SPECIAL, PUNITIVE, INCIDENTAL OR CONSEQUENTIAL LOSS, DAMAGE, COST OR EXPENSE OF ANY KIND WHATSOEVER RELATED TO THE INFORMATION OR ITS USE, HOWEVER CAUSED, EVEN IF MICROCHIP HAS BEEN ADVISED OF THE POSSIBILITY OR THE DAMAGES ARE FORESEEABLE. TO THE FULLEST EXTENT ALLOWED BY LAW, MICROCHIP'S TOTAL LIABILITY ON ALL CLAIMS IN ANY WAY RELATED TO THE INFORMATION OR ITS USE WILL NOT EXCEED THE AMOUNT OF FEES, IF ANY, THAT YOU HAVE PAID DIRECTLY TO MICROCHIP FOR THE INFORMATION. Use of Microchip devices in life support and/or safety applications is entirely at the buyer's risk, and the buyer agrees to defend, indemnify and hold harmless Microchip from any and all damages, claims, suits, or expenses resulting from such use. No licenses are conveyed, implicitly or otherwise, under any Microchip intellectual property rights unless otherwise stated.

## Trademarks

---

The Microchip name and logo, the Microchip logo, Adaptec, AnyRate, AVR, AVR logo, AVR Freaks, BesTime, BitCloud, chipKIT, chipKIT logo, CryptoMemory, CryptoRF, dsPIC, FlashFlex, flexPWR, HELDO, IGLOO, JukeBlox, KeeLoq, Kleer, LANCheck, LinkMD, maXStylus, maXTouch, MediaLB, megaAVR, Microsemi, Microsemi logo, MOST, MOST logo, MPLAB, OptoLyzer, PackeTime, PIC, picoPower, PICSTART, PIC32 logo, PolarFire, Prochip Designer, QTouch, SAM-BA, SenGenuity, SpyNIC, SST, SST Logo, SuperFlash, Symmetricom, SyncServer, Tachyon, TimeSource, tinyAVR, UNI/O, Vectron, and XMEGA are registered trademarks of Microchip Technology Incorporated in the U.S.A. and other countries.

AgileSwitch, APT, ClockWorks, The Embedded Control Solutions Company, EtherSynch, FlashTec, Hyper Speed Control, HyperLight Load, IntelliMOS, Libero, motorBench, mTouch, Powermite 3, Precision Edge, ProASIC, ProASIC Plus, ProASIC Plus logo, Quiet-Wire, SmartFusion, SyncWorld, Temux, TimeCesium, TimeHub, TimePictra, TimeProvider, WinPath, and ZL are registered trademarks of Microchip Technology Incorporated in the U.S.A.

Adjacent Key Suppression, AKS, Analog-for-the-Digital Age, Any Capacitor, AnyIn, AnyOut, Augmented Switching, BlueSky, BodyCom, CodeGuard, CryptoAuthentication, CryptoAutomotive, CryptoCompanion, CryptoController, dsPICDEM, dsPICDEM.net, Dynamic Average Matching, DAM, ECAN, Espresso T1S, EtherGREEN, IdealBridge, In-Circuit Serial Programming, ICSP, INICnet, Intelligent Paralleling, Inter-Chip Connectivity, JitterBlocker, maxCrypto, maxView, memBrain, Mindi, MiWi, MPASM, MPF, MPLAB Certified logo, MPLIB, MPLINK, MultiTRAK, NetDetach, Omniscient Code Generation, PICDEM, PICDEM.net, PICkit, PICtail, PowerSmart, PureSilicon, QMatrix, REAL ICE, Ripple Blocker, RTAX, RTG4, SAM-ICE, Serial Quad I/O, simpleMAP, SimpliPHY, SmartBuffer, SMART-I.S., storClad, SQL, SuperSwitcher, SuperSwitcher II, Switchtec, SynchroPHY, Total Endurance, TSHARC, USBCheck, VariSense,

---

---

VectorBlox, VeriPHY, ViewSpan, WiperLock, XpressConnect, and ZENA are trademarks of Microchip Technology Incorporated in the U.S.A. and other countries.

SQTP is a service mark of Microchip Technology Incorporated in the U.S.A.

The Adaptec logo, Frequency on Demand, Silicon Storage Technology, and Symmcom are registered trademarks of Microchip Technology Inc. in other countries.

GestIC is a registered trademark of Microchip Technology Germany II GmbH & Co. KG, a subsidiary of Microchip Technology Inc., in other countries.

All other trademarks mentioned herein are property of their respective companies.

© 2021, Microchip Technology Incorporated, Printed in the U.S.A., All Rights Reserved.

ISBN: 978-1-5224-9105-7

## **Quality Management System**

---

For information regarding Microchip's Quality Management Systems, please visit [www.microchip.com/quality](http://www.microchip.com/quality).

## Worldwide Sales and Service

AMERICAS	ASIA/PACIFIC	ASIA/PACIFIC	EUROPE
<p><b>Corporate Office</b> 2355 West Chandler Blvd. Chandler, AZ 85224-6199 Tel: 480-792-7200 Tel: 480-792-7277 Technical Support: <a href="http://www.microchip.com/support">www.microchip.com/support</a> Web Address: <a href="http://www.microchip.com">www.microchip.com</a></p> <p><b>Atlanta</b> Duluth, GA Tel: 678-957-9614 Fax: 678-957-1455</p> <p><b>Austin, TX</b> Tel: 512-257-3370</p> <p><b>Boston</b> Westborough, MA Tel: 774-760-0087 Fax: 774-760-0088</p> <p><b>Chicago</b> Itasca, IL Tel: 630-285-0071 Fax: 630-285-0075</p> <p><b>Dallas</b> Addison, TX Tel: 972-818-7423 Fax: 972-818-2924</p> <p><b>Detroit</b> Novi, MI Tel: 248-848-4000</p> <p><b>Houston, TX</b> Tel: 281-894-5983</p> <p><b>Indianapolis</b> Noblesville, IN Tel: 317-773-8323 Fax: 317-773-5453 Tel: 317-536-2380</p> <p><b>Los Angeles</b> Mission Viejo, CA Tel: 949-462-9523 Fax: 949-462-9608 Tel: 951-273-7800</p> <p><b>Raleigh, NC</b> Tel: 919-844-7510</p> <p><b>New York, NY</b> Tel: 631-435-6000</p> <p><b>San Jose, CA</b> Tel: 408-735-9110 Tel: 408-436-4270</p> <p><b>Canada - Toronto</b> Tel: 905-695-1980 Fax: 905-695-2078</p>	<p><b>Australia - Sydney</b> Tel: 61-2-9868-6733</p> <p><b>China - Beijing</b> Tel: 86-10-8569-7000</p> <p><b>China - Chengdu</b> Tel: 86-28-8665-5511</p> <p><b>China - Chongqing</b> Tel: 86-23-8980-9588</p> <p><b>China - Dongguan</b> Tel: 86-769-8702-9880</p> <p><b>China - Guangzhou</b> Tel: 86-20-8755-8029</p> <p><b>China - Hangzhou</b> Tel: 86-571-8792-8115</p> <p><b>China - Hong Kong SAR</b> Tel: 852-2943-5100</p> <p><b>China - Nanjing</b> Tel: 86-25-8473-2460</p> <p><b>China - Qingdao</b> Tel: 86-532-8502-7355</p> <p><b>China - Shanghai</b> Tel: 86-21-3326-8000</p> <p><b>China - Shenyang</b> Tel: 86-24-2334-2829</p> <p><b>China - Shenzhen</b> Tel: 86-755-8864-2200</p> <p><b>China - Suzhou</b> Tel: 86-186-6233-1526</p> <p><b>China - Wuhan</b> Tel: 86-27-5980-5300</p> <p><b>China - Xian</b> Tel: 86-29-8833-7252</p> <p><b>China - Xiamen</b> Tel: 86-592-2388138</p> <p><b>China - Zhuhai</b> Tel: 86-756-3210040</p>	<p><b>India - Bangalore</b> Tel: 91-80-3090-4444</p> <p><b>India - New Delhi</b> Tel: 91-11-4160-8631</p> <p><b>India - Pune</b> Tel: 91-20-4121-0141</p> <p><b>Japan - Osaka</b> Tel: 81-6-6152-7160</p> <p><b>Japan - Tokyo</b> Tel: 81-3-6880-3770</p> <p><b>Korea - Daegu</b> Tel: 82-53-744-4301</p> <p><b>Korea - Seoul</b> Tel: 82-2-554-7200</p> <p><b>Malaysia - Kuala Lumpur</b> Tel: 60-3-7651-7906</p> <p><b>Malaysia - Penang</b> Tel: 60-4-227-8870</p> <p><b>Philippines - Manila</b> Tel: 63-2-634-9065</p> <p><b>Singapore</b> Tel: 65-6334-8870</p> <p><b>Taiwan - Hsin Chu</b> Tel: 886-3-577-8366</p> <p><b>Taiwan - Kaohsiung</b> Tel: 886-7-213-7830</p> <p><b>Taiwan - Taipei</b> Tel: 886-2-2508-8600</p> <p><b>Thailand - Bangkok</b> Tel: 66-2-694-1351</p> <p><b>Vietnam - Ho Chi Minh</b> Tel: 84-28-5448-2100</p>	<p><b>Austria - Wels</b> Tel: 43-7242-2244-39 Fax: 43-7242-2244-393</p> <p><b>Denmark - Copenhagen</b> Tel: 45-4485-5910 Fax: 45-4485-2829</p> <p><b>Finland - Espoo</b> Tel: 358-9-4520-820</p> <p><b>France - Paris</b> Tel: 33-1-69-53-63-20 Fax: 33-1-69-30-90-79</p> <p><b>Germany - Garching</b> Tel: 49-8931-9700</p> <p><b>Germany - Haan</b> Tel: 49-2129-3766400</p> <p><b>Germany - Heilbronn</b> Tel: 49-7131-72400</p> <p><b>Germany - Karlsruhe</b> Tel: 49-721-625370</p> <p><b>Germany - Munich</b> Tel: 49-89-627-144-0 Fax: 49-89-627-144-44</p> <p><b>Germany - Rosenheim</b> Tel: 49-8031-354-560</p> <p><b>Israel - Ra'anana</b> Tel: 972-9-744-7705</p> <p><b>Italy - Milan</b> Tel: 39-0331-742611 Fax: 39-0331-466781</p> <p><b>Italy - Padova</b> Tel: 39-049-7625286</p> <p><b>Netherlands - Drunen</b> Tel: 31-416-690399 Fax: 31-416-690340</p> <p><b>Norway - Trondheim</b> Tel: 47-72884388</p> <p><b>Poland - Warsaw</b> Tel: 48-22-3325737</p> <p><b>Romania - Bucharest</b> Tel: 40-21-407-87-50</p> <p><b>Spain - Madrid</b> Tel: 34-91-708-08-90 Fax: 34-91-708-08-91</p> <p><b>Sweden - Gothenberg</b> Tel: 46-31-704-60-40</p> <p><b>Sweden - Stockholm</b> Tel: 46-8-5090-4654</p> <p><b>UK - Wokingham</b> Tel: 44-118-921-5800 Fax: 44-118-921-5820</p>