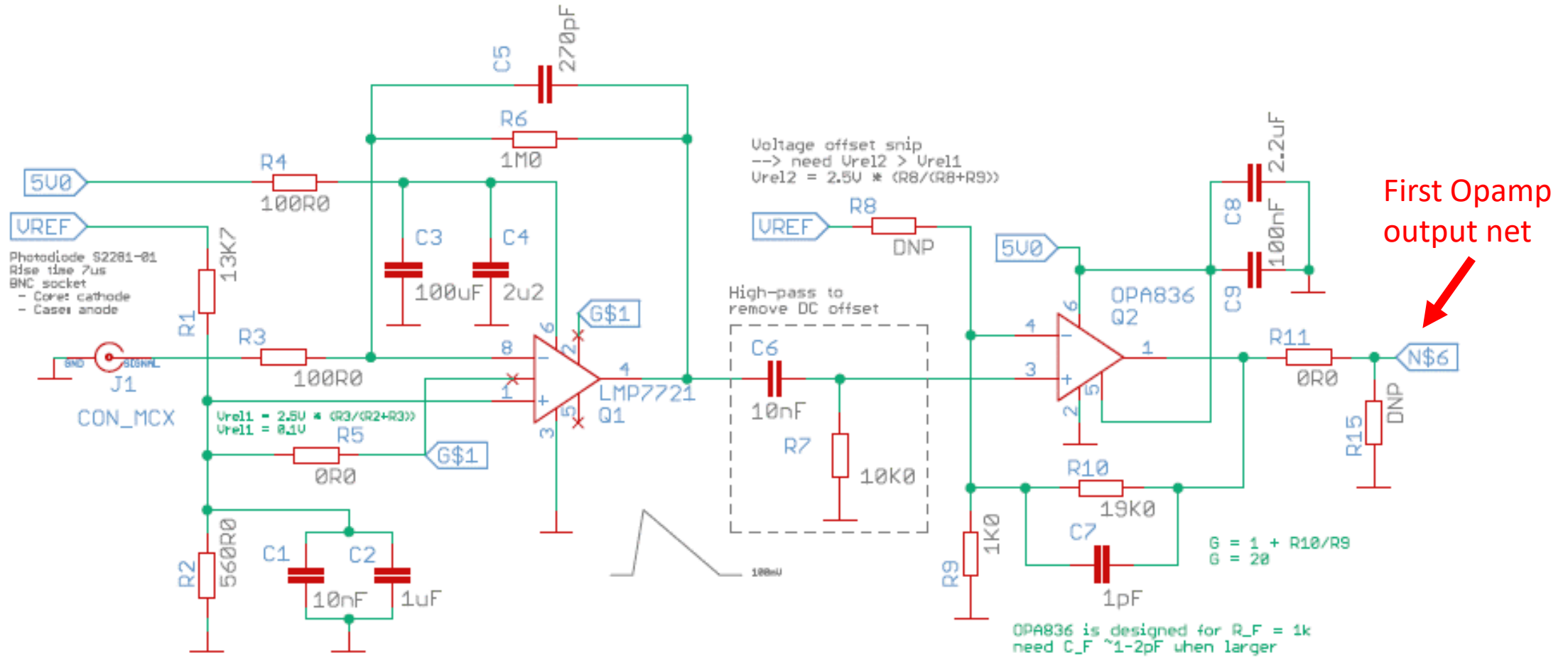


2-channel photodiode ADC interface (rev. 2)



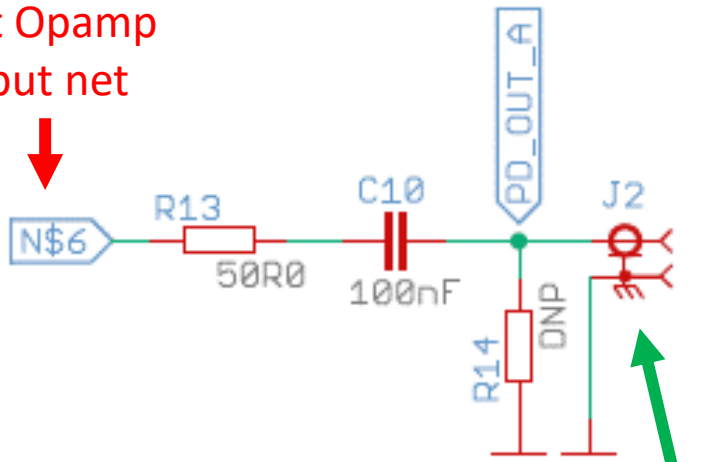
2-channel photodiode ADC interface (rev. 2)

Acceptable signal levels



Channel 1

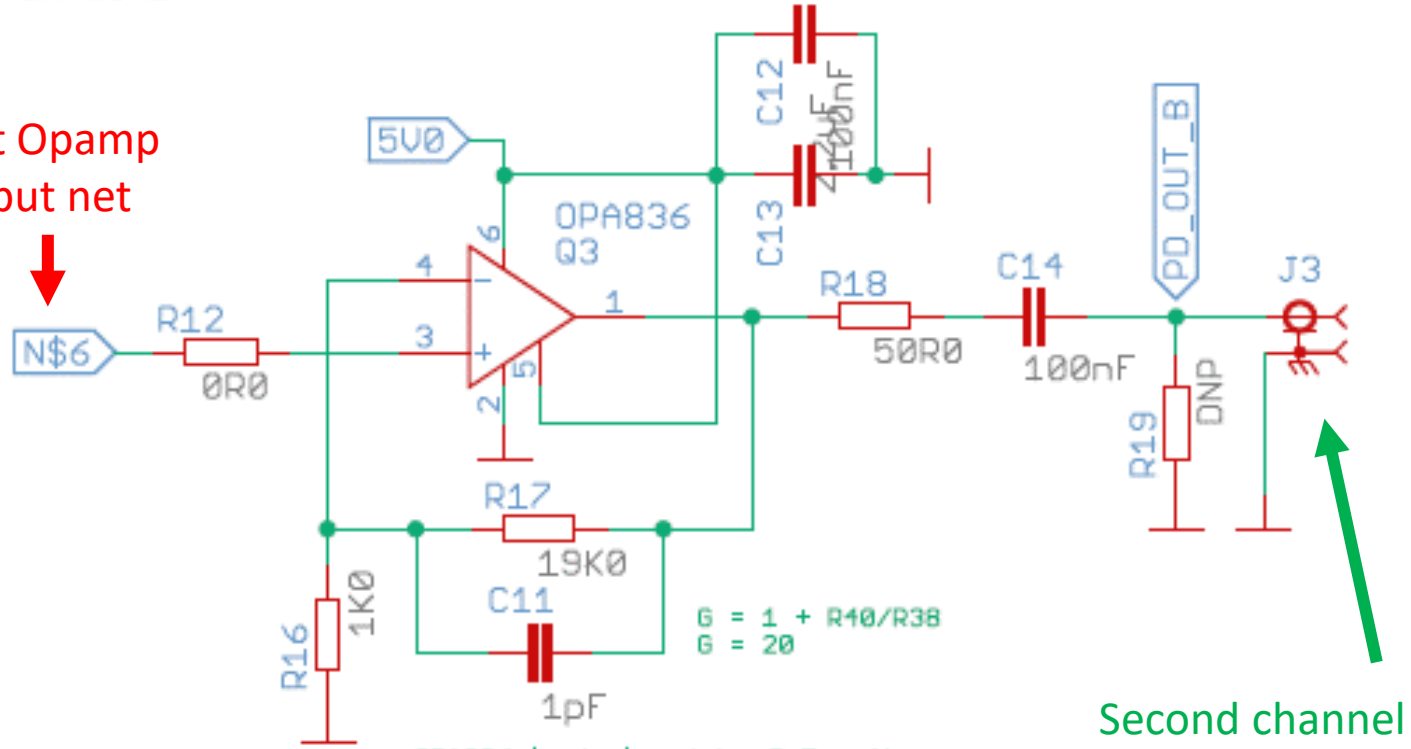
First Opamp output net



First channel (MMCX)

Channel 2

First Opamp output net



Second channel (MMCX)

OPA836 is designed for $R_F = 1k$
need $C_F \sim 1-2pF$ when larger

$$G = 1 + R_{40}/R_{38}$$
$$G = 20$$

Previous revisions

2-channel photodiode ADC interface (rev. 1)

