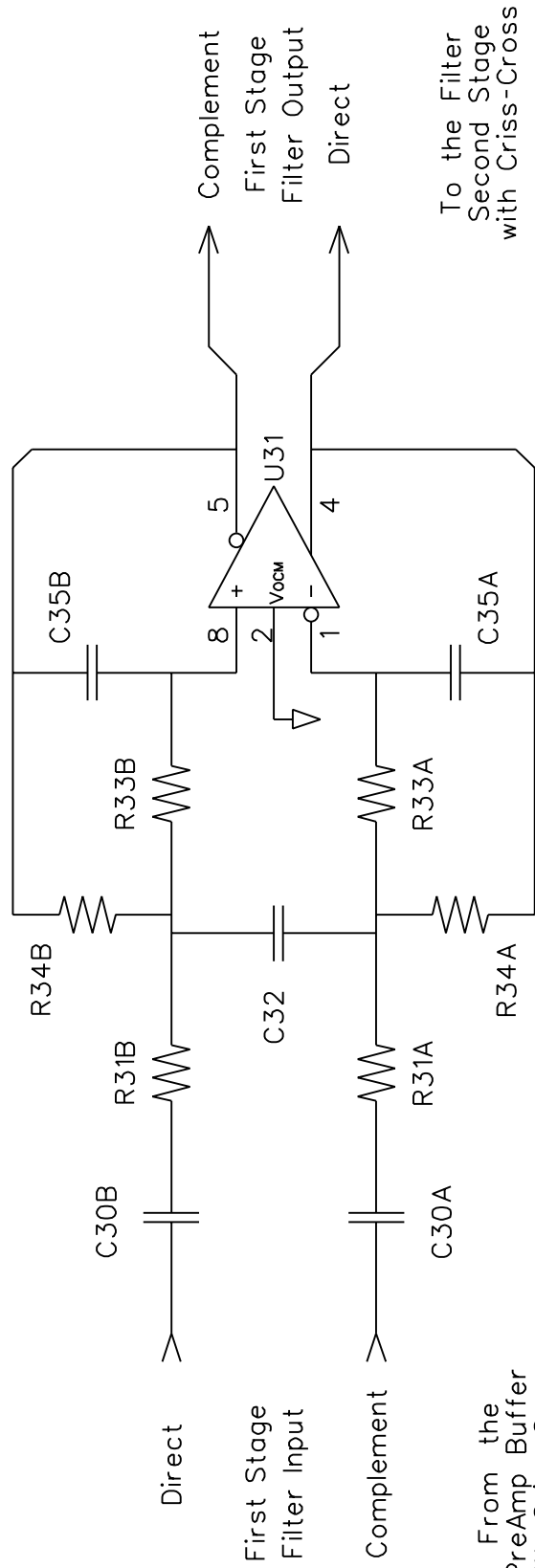


# PFC-16 Filter First Stage



From the PreAmp Buffer with Criss-Cross

To the Filter Second Stage with Criss-Cross

- U31 THS4141
- C30 220 nFd
- R31 332 Ohm
- C32 1500 pFd
- R33 560 Ohm
- R34 1650 Ohm
- C35 220 pFd
- C36, C37 0.1 uFd
- C26, C27 10 uFd

shared by the three Diff Amps

## Filter Characteristics:

- Low Pass
- Cutoff = 200 kHz
- Gain = 5
- Q = 0.707
- FSC = 1
- Input RC = 73 usec

} Butterworth

Rev. Data: 12-DEC-2007