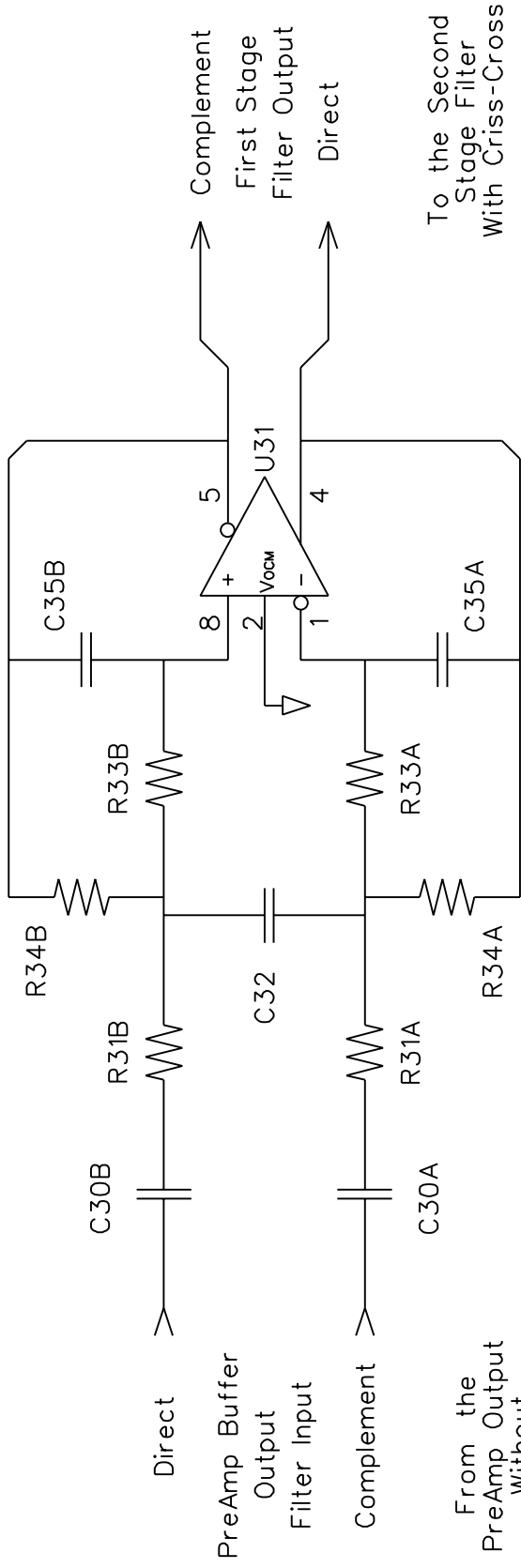


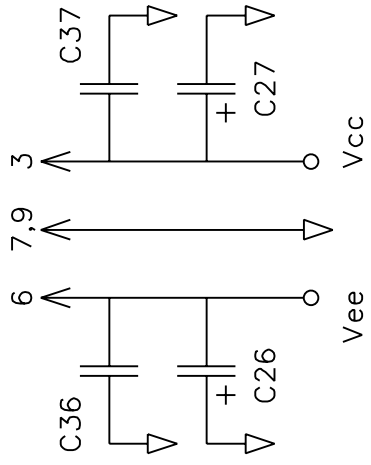
PFC-16 Filter First Stage

Narrow Gaussian Version



- U31 THS4141
- C30 10 nFd
- R31 332 Ohm
- C32 820 pFd
- R33 845 Ohm
- R34 2000 Ohm
- C35 150 pFd
- C36, C37 0.1 uFd
- C26, C27 10 uFd

shared by the three Diff Amps



Filter Characteristics:

- Low Pass
- Cutoff = 159 kHz
- Gain = 6
- Q = 0.5427 } Gaussian
- FSC = 1.538 } First Stage
- "m" = 0.4237
- "n" = 5.466

Rev. Data: 16-JAN-2009