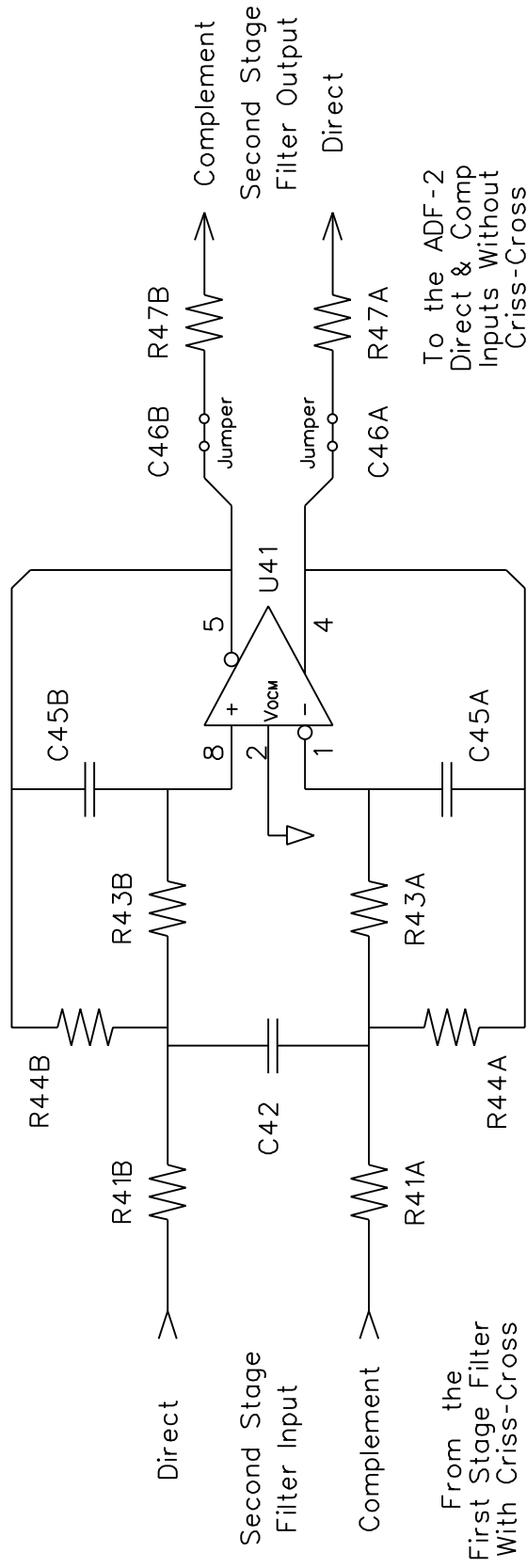


PFC-16 Filter Second Stage

Narrow Gaussian Version



- U41 THS4141
- R41 332 Ohm
- C42 1000 pFd
- R43 845 Ohm
- R44 2.00 k Ohm
- C45 100 pFd
- R47 "B" EM & "D" all 75 Ohm
- "A" EM & "C" all 121 Ohm
- "B" HD 154 Ohm
- "A" HD 280 Ohm
- C48, C49 0.1 uFd
- C26, C27 10 uFd

Filter Characteristics:

- Low Pass
- Cutoff = 159 kHz
- Gain = 6
- Q = 0.7358 } Gaussian
- FSC = 1.771 } Second Stage
- "m" = 0.4195
- "n" = 10.00

