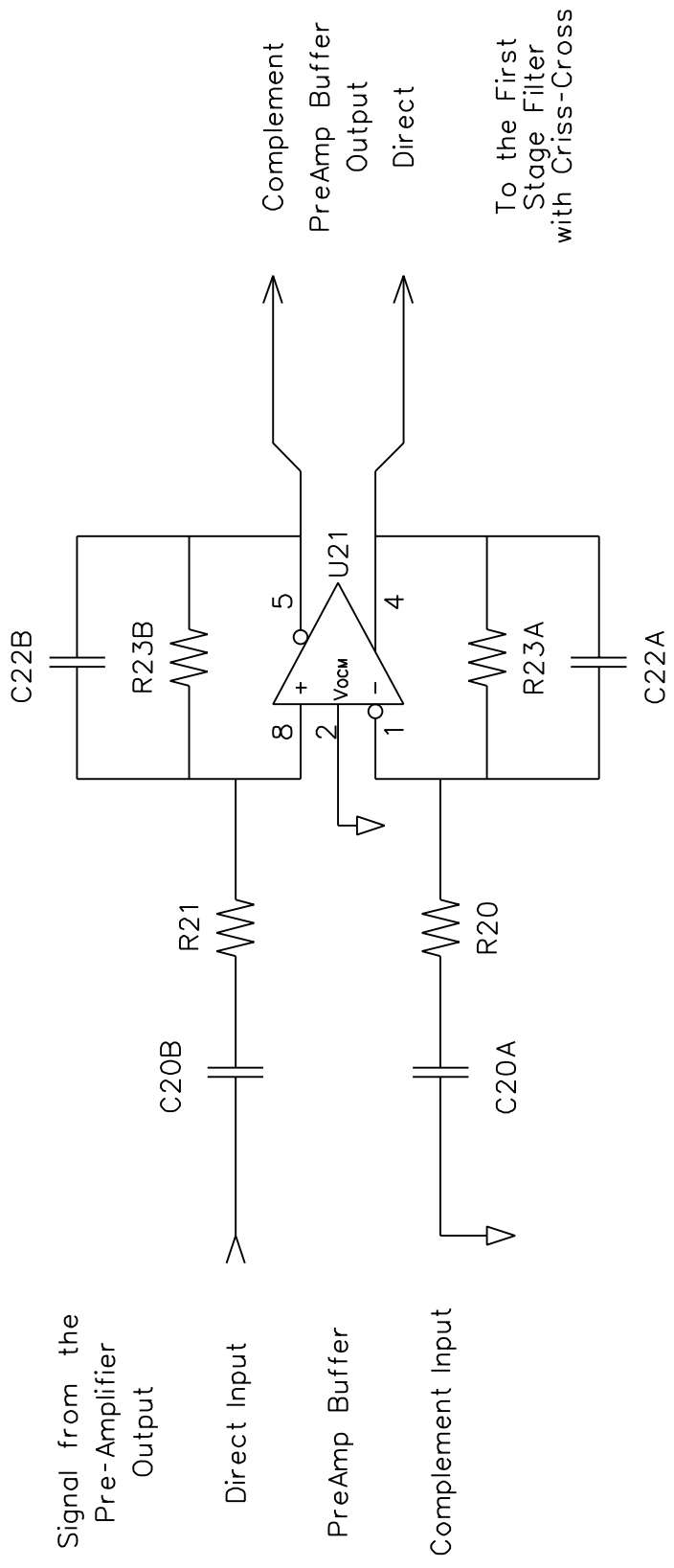


PFC-16 PreAmplifier Buffer



To the First Stage Filter with Criss-Cross

PreAmp Buffer Characteristics:
 Gain = 8.25
 Low Pass Cutoff = 800 kHz
 High Pass Cutoff = 1.7 kHz

Rev. Data:
 12-DEC-2007

- U21 THS4131
- C20 470 nFd
- R20 200 Ohm
- R21 100 Ohm
- plus R12 = 200 Ohm
- C22 120 pFd
- R23 1.65k Ohm
- C24, C25 0.1 uFd
- C26, C27 10 uFd Tantalum

